



T&S BRASS AND BRONZE WORKS, INC.
 2 Saddleback Cove / P.O. Box 1088
 Travelers Rest, SC 29690

Model No.
B-0109-01

Item No.

Travelers Rest, SC: 800-476-4103 • Simi Valley, CA: 800-423-0150 • Fax: 864-834-3518 • www.tsbrass.com

This Space for Architect/Engineer Approval

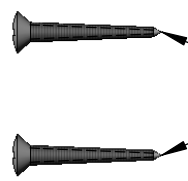
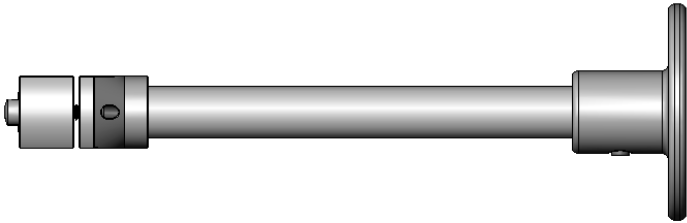
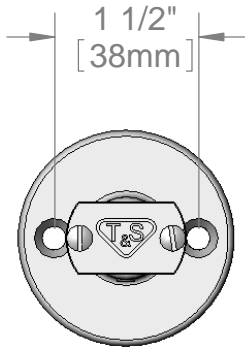
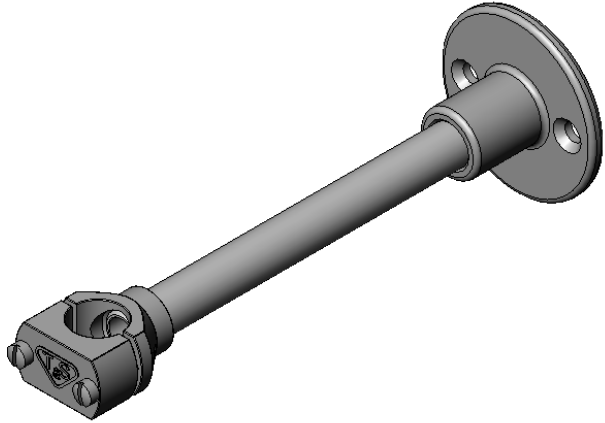
Job Name _____ Date _____

Model Specified _____ Quantity _____

Customer/Wholesaler _____

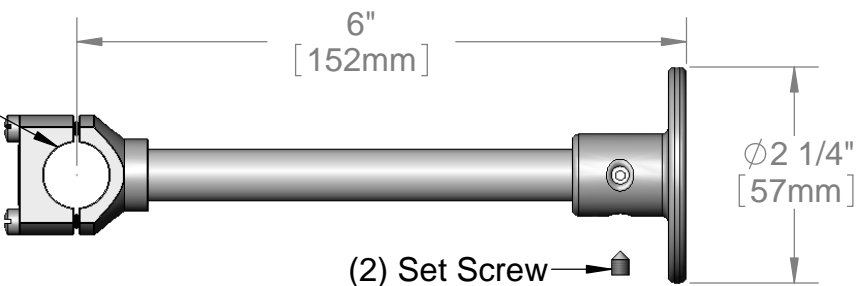
Contractor _____

Architect/Engineer _____



Chrome Plated Brass Wood Screws
 for Wall Mounting (Included)

Fits 3/8" Pipe



Product Specifications:
 6" Wall Bracket Assembly for 3/8" Pipe
 w/ Mounting Hardware

Drawn JRM	Checked KJG	Approved JHB
Scale: 1:2		Date: 06/02/14