



**T&S BRASS AND BRONZE WORKS, INC.**  
 2 Saddleback Cove / P.O. Box 1088  
 Travelers Rest, SC 29690

Model No.  
**B-0157-05**

Item No.

Travelers Rest, SC: 800-476-4103 • Simi Valley, CA: 800-423-0150 • Fax: 864-834-3518 • www.tsbrass.com



**ADA Compliant**

This Space for Architect/Engineer Approval

Job Name \_\_\_\_\_ Date \_\_\_\_\_

Model Specified \_\_\_\_\_ Quantity \_\_\_\_\_

Customer/Wholesaler \_\_\_\_\_

Contractor \_\_\_\_\_

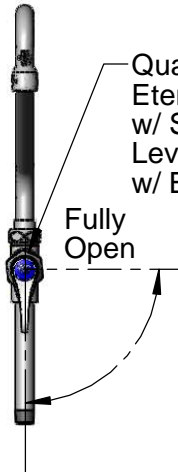
Architect/Engineer \_\_\_\_\_



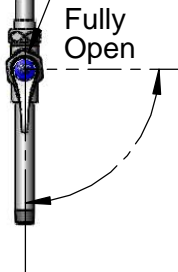
065X  
 18" Swing Nozzle w/  
 Stream Regulator  
 Outlet



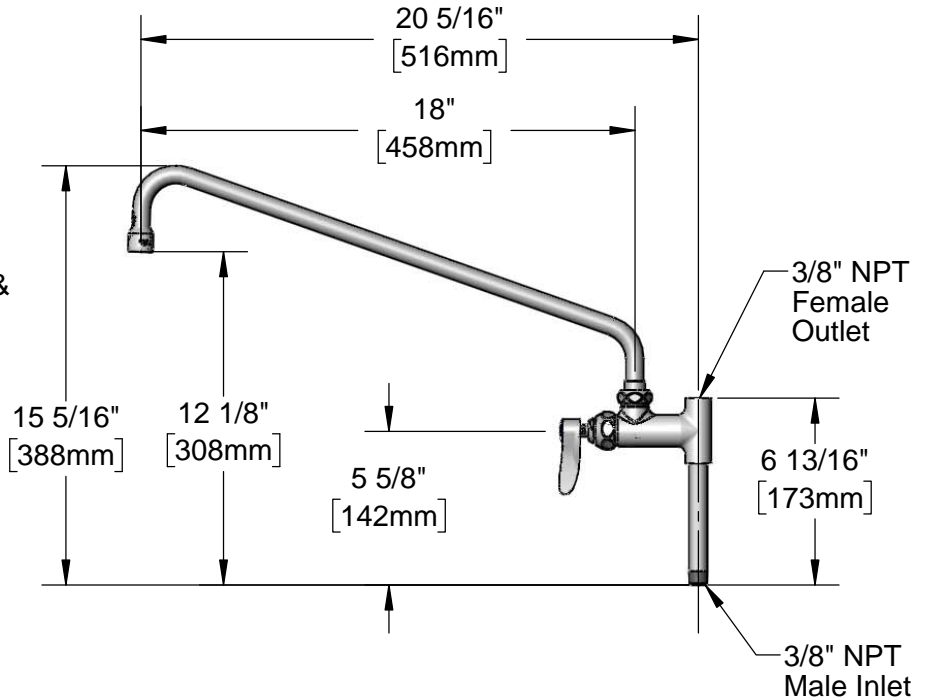
Quarter-Turn  
 Eterna Cartridge  
 w/ Spring Check &  
 Lever Handle  
 w/ Blue Index



Closed



Fully  
 Open



Notes:

1. The Add-On Faucet is an Addition to Pre-Rinse Units and is Installed in Outlets of Base Mixing Faucets of Units Before Fitting Riser Pipes
2. Lever Handle Controls Water On-Off Thru Nozzle Only. Pressure is Always "On" in the Riser Pipe (Controlled by Base Mixing Faucet)

Product Specifications:  
 Add-On Faucet w/ Quarter-Turn Eterna Cartridge w/ Spring Check, Lever Handle & 18" Swing Nozzle w/ Stream Regulator Outlet

Product Compliance:  
 ASME A112.18.1 / CSA B125.1  
 NSF 61 - Section 9  
 NSF 372 (Low Lead Content)  
 ANSI A117.1 (ADA)



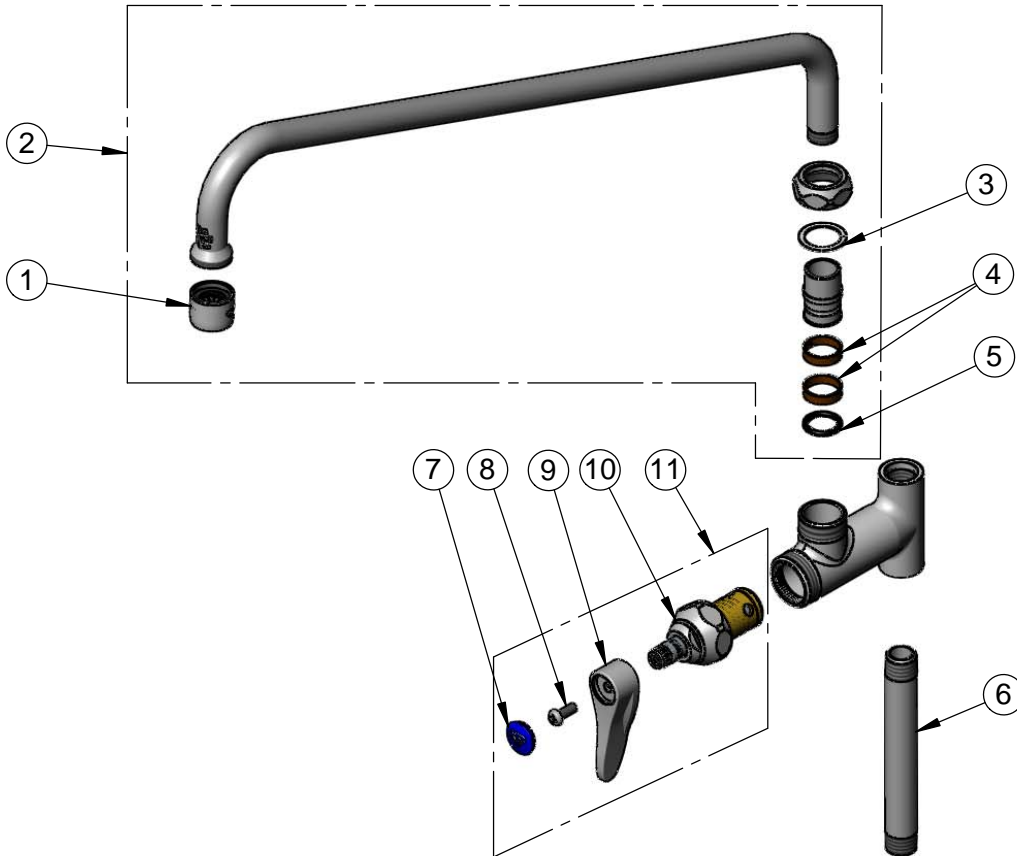
**T&S BRASS AND BRONZE WORKS, INC.**  
 2 Saddleback Cove / P.O. Box 1088  
 Travelers Rest, SC 29690

Model No.  
**B-0157-05**

Item No.

Travelers Rest, SC: 800-476-4103 • Simi Valley, CA: 800-423-0150 • Fax: 864-834-3518 • www.tsbrass.com

ITEM NO.	SALES NO.	DESCRIPTION
1	B-PT	Full Flow Stream Regulator, 55/64-27
2	065 X	18" Swivel Nozzle
3	009538-45	Swivel Washer
4	011429-45	Swivel Sleeves (2)
5	001074-45	O-Ring
6	000361-40	Nipple, 3/8" NPT x 5"
7	018506-19NS	Blue Button Index, Press-in
8	000925-45	Lab Handle Screw
9	001638-45NS	Lever Handle (New Style)
10	012443-40NS	Quarter-Turn Eterna Cartridge w/ Spring Check, RTC
11	019639-40	Quarter-Turn Eterna Cartridge RTC w/ Spring Check, Handle, Blue Index & Screw



Product Specifications:  
 Add-On Faucet w/ Quarter-Turn Eterna Cartridge w/ Spring Check, Lever Handle & 18" Swing Nozzle w/ Stream Regulator Outlet

Product Compliance:  
 ASME A112.18.1 / CSA B125.1  
 NSF 61 - Section 9  
 NSF 372 (Low Lead Content)  
 ANSI A117.1 (ADA)