



T&S BRASS AND BRONZE WORKS, INC.

2 Saddleback Cove / P.O. Box 1088
Travelers Rest, SC 29690

Model No.

B-0163

Item No.

Travelers Rest, SC: 800-476-4103 • Simi Valley, CA: 800-423-0150 • Fax: 864-834-3518 • www.tsbrass.com

This Space for Architect/Engineer Approval

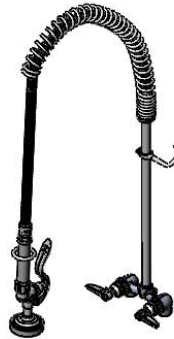
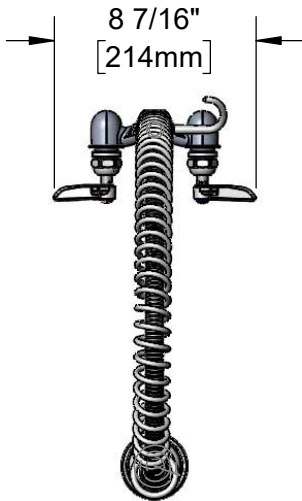
Job Name _____ Date _____

Model Specified _____ Quantity _____

Customer/Wholesaler _____

Contractor _____

Architect/Engineer _____



44" Flexible Stainless Steel Hose w/ Spring & Spray Valve

Items Not Shown for Clarity

Finger Hook

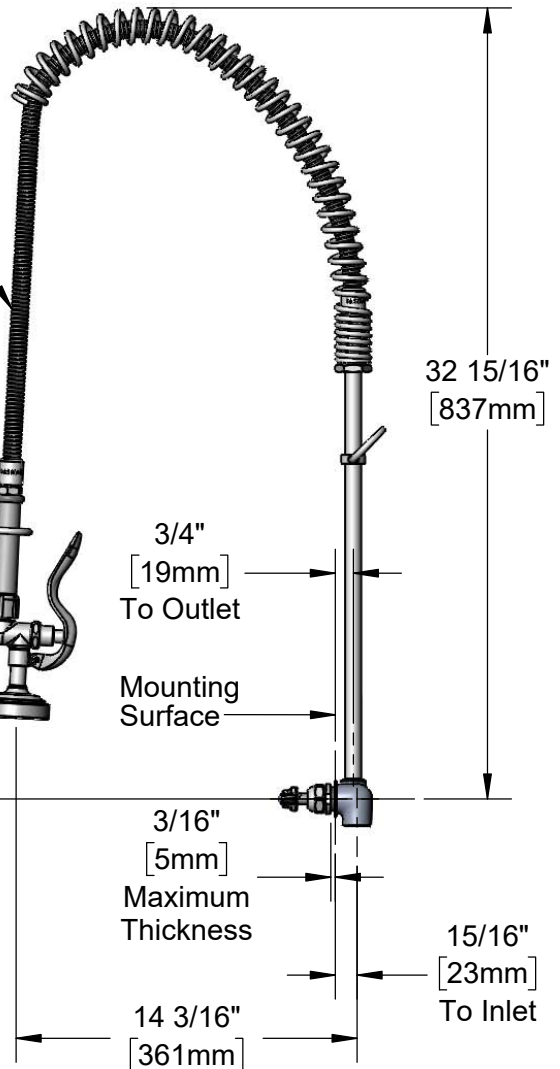
3/8" NPT x 18" Riser

B-0107 Spray Valve
1.15 GPM

Lever Handles w/ Color Coded Indexes

1/2" NPT [13mm] Female Inlets

4" [102mm]



Rough-In Requirement:
(2) ϕ 1 1/8" [29mm] Mounting Holes

Note:
Cross Flow Prevention Devices Supplied by Others

Product Specifications:

4" Concealed Wall Mount Pre-Rinse Mixing Faucet, Lever Handles, 18" Riser, 44" Flexible Stainless Steel Hose, 1.15 GPM Spray Valve & 1/2" NPT Female Inlets

Product Compliance:

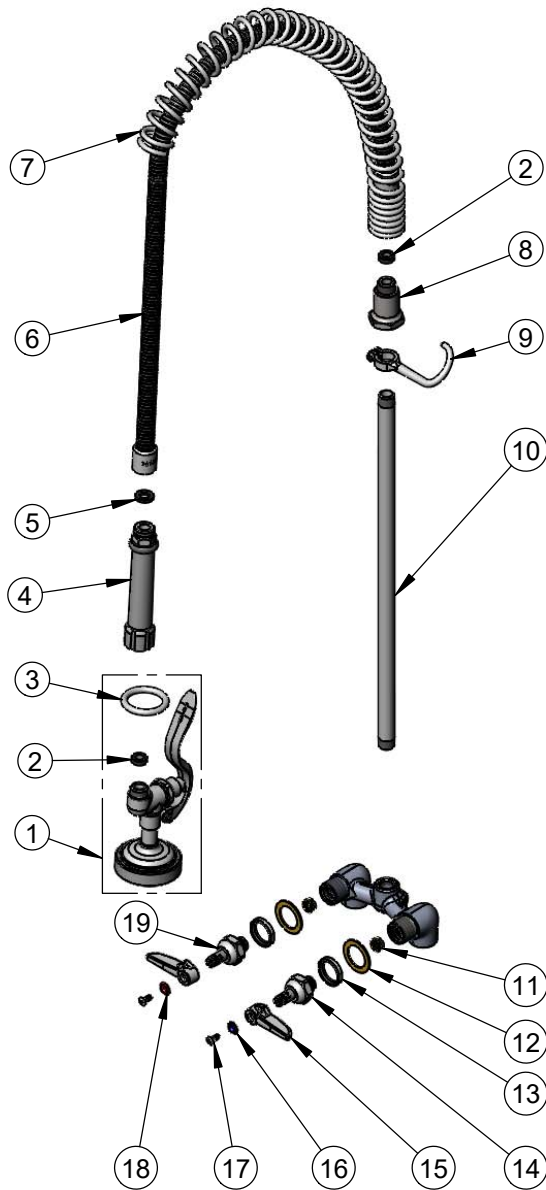
ASME A112.18.1 / CSA B125.1
NSF 61 - Section 9
NSF 372 (Low Lead Content)
2019 DOE PRSV - Class II



T&S BRASS AND BRONZE WORKS, INC.
 2 Saddleback Cove / P.O. Box 1088
 Travelers Rest, SC 29690

Model No.
B-0163
 Item No.

Travelers Rest, SC: 800-476-4103 • Simi Valley, CA: 800-423-0150 • Fax: 864-834-3518 • www.tsbrass.com



| ITEM NO. | SALES NO. | DESCRIPTION |
|----------|------------|--|
| 1 | B-0107 | 1.15 GPM Spray Valve |
| 2 | 010476-45 | #27 Washer |
| 3 | 000907-45 | Spray Valve Hold Down Ring |
| 4 | 002987-40 | Grip Handle |
| 5 | 001014-45 | Washer, B-0100 Hose Barrel |
| 6 | B-0044-H2A | 44" Flexible Stainless Steel Hose, Less Handle |
| 7 | 000888-45 | EasyInstall Overhead Spring |
| 8 | 000821-40 | Spring Body |
| 9 | 004R | Finger Hook |
| 10 | 000369-40 | 3/8" NPT x 18" Riser |
| 11 | 000763-20 | Seat |
| 12 | 000997-45 | Washer |
| 13 | 000712-25 | Escutcheon Lock Nut |
| 14 | 009753-25 | B-1100 Spindle Assembly, LTC |
| 15 | 001638-45 | Lever Handle |
| 16 | 001660-45 | Blue Index-CW |
| 17 | 000922-45 | Lever Handle Screw |
| 18 | 001661-45 | Red Index-HW |
| 19 | 009754-25 | B-1100 Spindle Assembly, RTC |

Product Specifications:
 4" Concealed Wall Mount Pre-Rinse Mixing Faucet, Lever Handles,
 18" Riser, 44" Flexible Stainless Steel Hose, 1.15 GPM Spray Valve
 & 1/2" NPT Female Inlets

Product Compliance:
 ASME A112.18.1 / CSA B125.1
 NSF 61 - Section 9
 NSF 372 (Low Lead Content)
 2019 DOE PRSV - Class II