



T&S BRASS AND BRONZE WORKS, INC.

2 Saddleback Cove / P.O. Box 1088
Travelers Rest, SC 29690

Model No.

B-0232-CC

Item No.

Travelers Rest, SC: 800-476-4103 • Simi Valley, CA: 800-423-0150 • Fax: 864-834-3518 • www.tsbrass.com

This Space for Architect/Engineer Approval

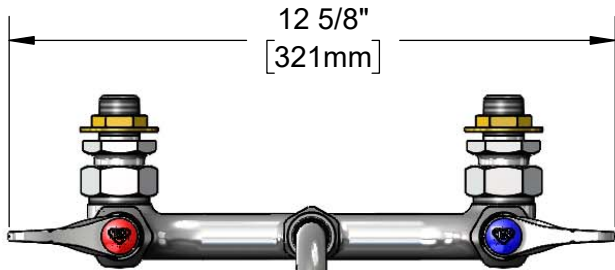
Job Name _____ Date _____

Model Specified _____ Quantity _____

Customer/Wholesaler _____

Contractor _____

Architect/Engineer _____



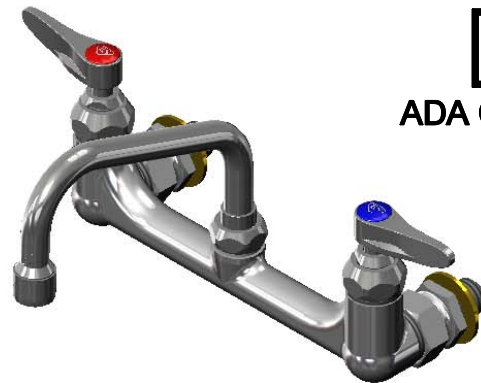
12 5/8"
[321mm]



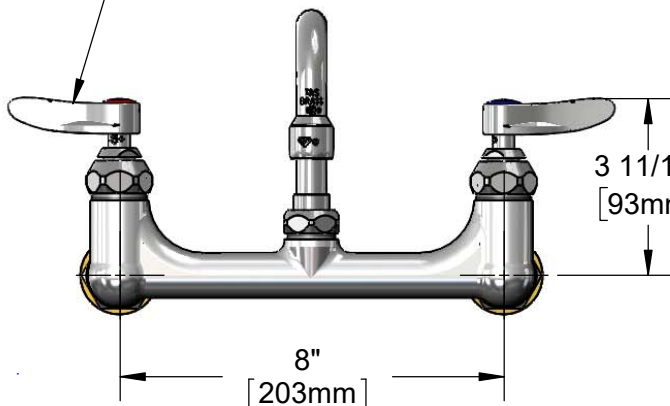
059X
6" Swing Nozzle
w/ Stream Regulator Outlet
Converts to Rigid w/
014200-45
Lock Washer (Included).



ADA Compliant

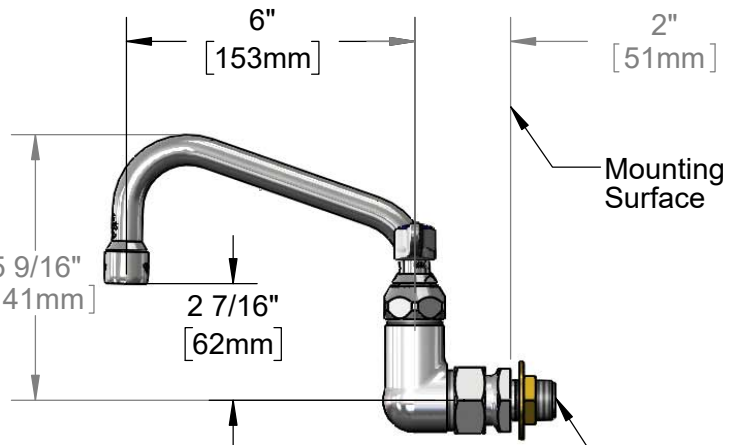


Quarter-Turn Eterna Cartridges
w/ Spring Checks &
Lever Handles w/
Color Coded Indexes



3 11/16"
[93mm]

8"
[203mm]



5 9/16"
[141mm]

2 7/16"
[62mm]

Mounting
Surface

1/2" NPT
Male Inlets

Rough-In Requirement:
(2) Ø 1" [25mm] Mounting Holes

Product Specifications:

8" Wall Mount Mixing Faucet w/ Quarter-Turn Eterna Cartridges w/ Spring Checks, 6" Swing Nozzle w/ Stream Regulator Outlet, Lever Handles & 1/2" Male Inlets

Product Compliance:

ASME A112.18.1 / CSA B125.1
NSF 61 - Section 9
NSF 372 (Low Lead Content)
ANSI A117.1 (ADA)



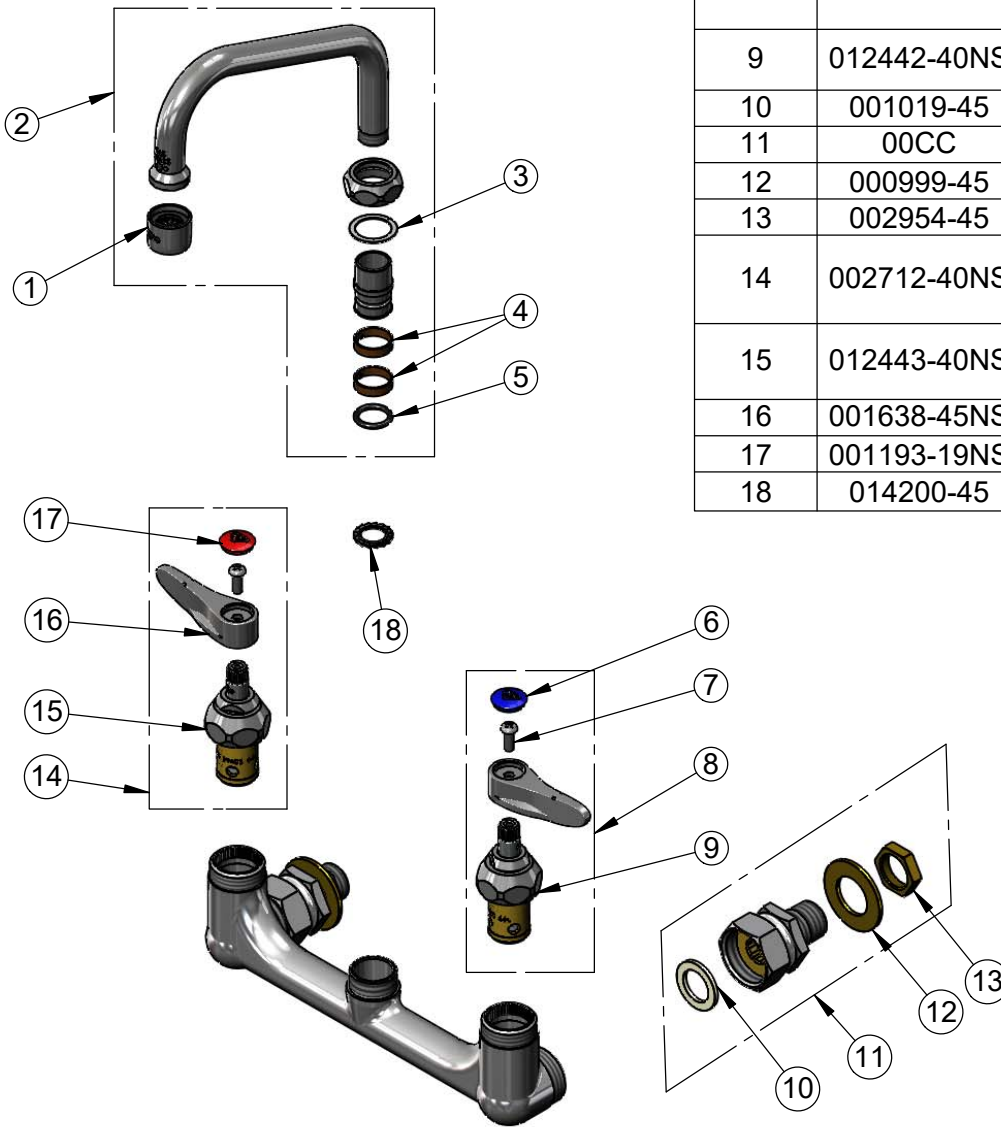
T&S BRASS AND BRONZE WORKS, INC.
 2 Saddleback Cove / P.O. Box 1088
 Travelers Rest, SC 29690

Model No.
B-0232-CC

Item No.

Travelers Rest, SC: 800-476-4103 • Simi Valley, CA: 800-423-0150 • Fax: 864-834-3518 • www.tsbrass.com

| ITEM NO. | SALES NO. | DESCRIPTION |
|----------|-------------|--|
| 1 | B-PT | Full Flow Stream Regulator, 55/64-27 |
| 2 | 059X | 6" Swivel Nozzle |
| 3 | 009538-45 | Swivel Washer |
| 4 | 011429-45 | Swivel Sleeves (2) |
| 5 | 001074-45 | O-Ring |
| 6 | 018506-19NS | Blue Button Index, Press-in |
| 7 | 000925-45 | Lab Handle Screw |
| 8 | 002711-40NS | Quarter-Turn Eterna Cartridge w/ Spring Check, Handle, Blue Index & Screw, LTC |
| 9 | 012442-40NS | Quarter-Turn Eterna Cartridge w/ Spring Check, LTC |
| 10 | 001019-45 | Coupling Nut Washer |
| 11 | 00CC | 1/2" NPT Male Inlet Flange |
| 12 | 000999-45 | Brass Lock Washer |
| 13 | 002954-45 | Shank Lock Nut |
| 14 | 002712-40NS | Quarter-Turn Eterna Cartridge w/ Spring Check, Handle, Red Index & Screw, RTC |
| 15 | 012443-40NS | Quarter-Turn Eterna Cartridge w/ Spring Check, RTC |
| 16 | 001638-45NS | Lever Handle (New Style) |
| 17 | 001193-19NS | Red Button Index, Press-in |
| 18 | 014200-45 | Star Washer, Anti-Rotation |



Product Specifications:
 8" Wall Mount Mixing Faucet w/ Quarter-Turn Eterna Cartridges w/ Spring Checks, 6" Swing Nozzle w/ Stream Regulator Outlet, Lever Handles & 1/2" Male Inlets

Product Compliance:
 ASME A112.18.1 / CSA B125.1
 NSF 61 - Section 9
 NSF 372 (Low Lead Content)
 ANSI A117.1 (ADA)