



T&S BRASS AND BRONZE WORKS, INC.
 2 Saddleback Cove / P.O. Box 1088
 Travelers Rest, SC 29690

Model No.
B-0262

Item No.

Travelers Rest, SC: 800-476-4103 • Simi Valley, CA: 800-423-0150 • Fax: 864-834-3518 • www.tsbrass.com



ADA Compliant

This Space for Architect/Engineer Approval

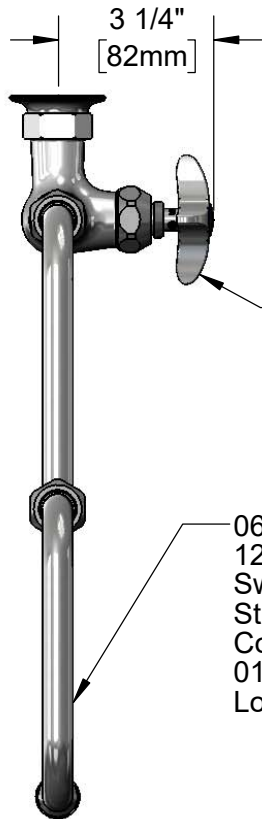
Job Name _____ Date _____

Model Specified _____ Quantity _____

Customer/Wholesaler _____

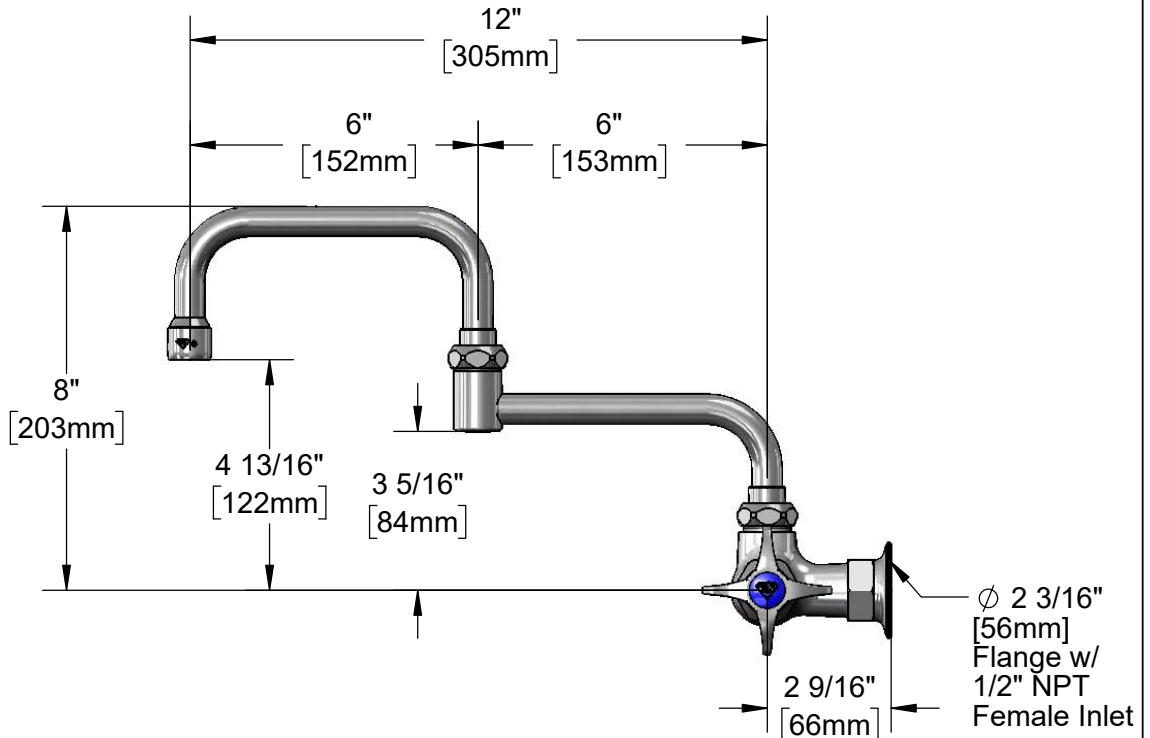
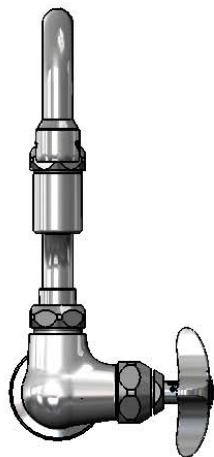
Contractor _____

Architect/Engineer _____



Quarter-Turn Eterna Cartridge
 w/ Spring Check &
 4-Arm Handle w/ Blue
 Color Coded Index

066X
 12" Double Joint
 Swing Nozzle w/
 Stream Regulator Outlet.
 Converts to Rigid w/
 014200-45
 Lock Washer (Included)



Product Specifications:
 Single Hole Single Temperature Wall Mount Faucet, Quarter-Turn Eterna Cartridge w/ Spring Check, 4-Arm Handle, 12" Double Joint Swing Nozzle & 1/2" NPT Female Inlet

Product Compliance:
 ASME A112.18.1 / CSA B125.1
 NSF 61 - Section 9
 NSF 372 (Low Lead Content)
 ANSI A117.1 (ADA)

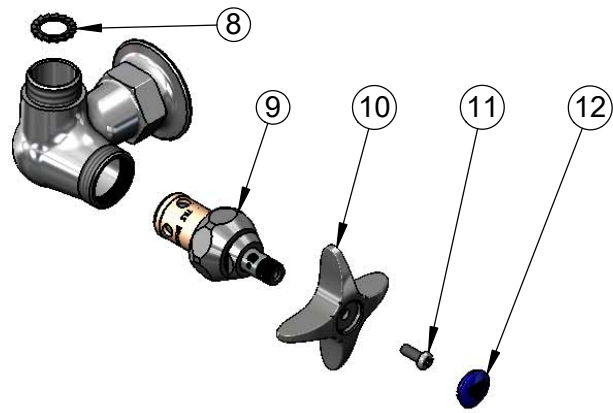
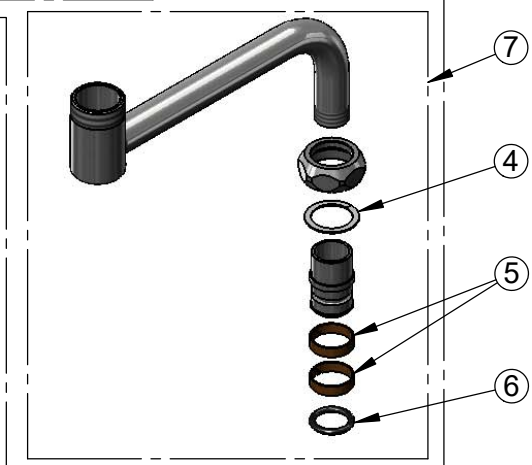
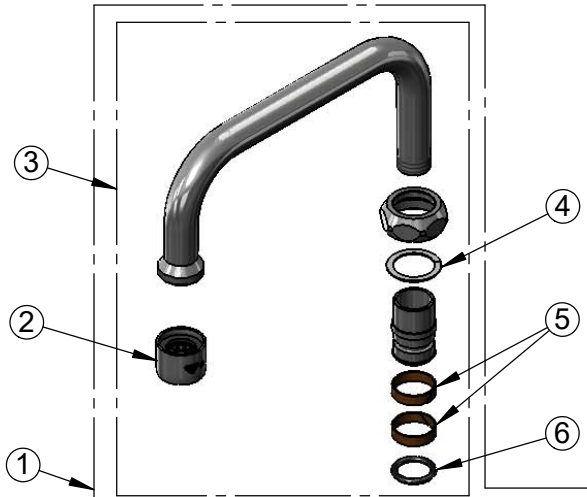


T&S BRASS AND BRONZE WORKS, INC.
 2 Saddleback Cove / P.O. Box 1088
 Travelers Rest, SC 29690

Model No.
B-0262
 Item No.

Travelers Rest, SC: 800-476-4103 • Simi Valley, CA: 800-423-0150 • Fax: 864-834-3518 • www.tsbrass.com

ITEM NO.	SALES NO.	DESCRIPTION
1	066X	12" Double Joint Swing Nozzle w/ Stream Regulator Outlet
2	B-PT	Full Flow Stream Regulator, 55/64-27
3	153X	12" Double Joint Swing Nozzle, 6" Front Section
4	009538-45	Swivel Washer
5	011429-45	Swivel Sleeves (2)
6	001074-45	O-Ring
7	151X	12" Double Joint Swing Nozzle, 6" Back Section
8	014200-45	Star Washer, Anti-Rotation
9	012443-40NS	Quarter-Turn Eterna Cartridge w/ Spring Check, RTC
10	002521-45NS	4-Arm Handle (New Style)
11	000925-45	Lab Handle Screw
12	018506-19NS	Blue Button Index, Press-in



Product Specifications:
 Single Hole Single Temperature Wall Mount Faucet, Quarter-Turn Eterna Cartridge w/ Spring Check, 4-Arm Handle, 12" Double Joint Swing Nozzle & 1/2" NPT Female Inlet

Product Compliance:
 ASME A112.18.1 / CSA B125.1
 NSF 61 - Section 9
 NSF 372 (Low Lead Content)
 ANSI A117.1 (ADA)