



# T&S BRASS AND BRONZE WORKS, INC.

2 Saddleback Cove / P.O. Box 1088  
Travelers Rest, SC 29690

Model No.

**B-0290**

Item No.

Travelers Rest, SC: 800-476-4103 • Simi Valley, CA: 800-423-0150 • Fax: 864-834-3518 • www.tsbrass.com



**ADA Compliant**

This Space for Architect/Engineer Approval

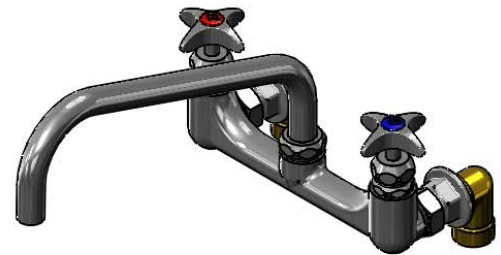
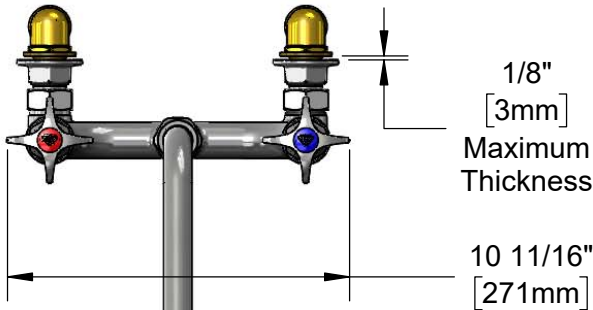
Job Name \_\_\_\_\_ Date \_\_\_\_\_

Model Specified \_\_\_\_\_ Quantity \_\_\_\_\_

Customer/Wholesaler \_\_\_\_\_

Contractor \_\_\_\_\_

Architect/Engineer \_\_\_\_\_



114X  
12" Big-Flo Swing Nozzle  
w/ Plain End Outlet.  
Converts to Rigid with  
016807-45 Lock Washer  
(Included)

Big-Flo Cartridges &  
4-Arm Handles w/  
Color Coded Indexes

Swivel Joint

4 1/8"  
[105mm]

8 1/8"  
[206mm]

12"  
[305mm]

4 7/16"  
[113mm]

Ø2" [51mm] Flanges  
w/ 3/4" NPT Female Inlets

2"  
[51mm]

2 1/2"  
[64mm]

Fits Within  
2" [51mm]  
Space

Mounting Surface

8"  
[203mm]  
Adjustable from  
7 3/4" to 8 1/4"  
[197mm to 210mm]

3/4" NPT Street Elbows

Rough-In Requirement:  
(2) Ø 1 1/4" [32mm] Mounting Holes

Product Specifications:  
8" Wall Mount Big-Flo Mixing Faucet, Big-Flo Cartridges, 4-Arm  
Handles, 12" Big-Flo Swing Nozzle & 3/4" NPT Elbow Inlets

Product Compliance:  
ASME A112.18.1 / CSA B125.1  
NSF 61 - Section 9  
NSF 372 (Low Lead Content)  
ANSI A117.1 (ADA)



# T&S BRASS AND BRONZE WORKS, INC.

2 Saddleback Cove / P.O. Box 1088  
Travelers Rest, SC 29690

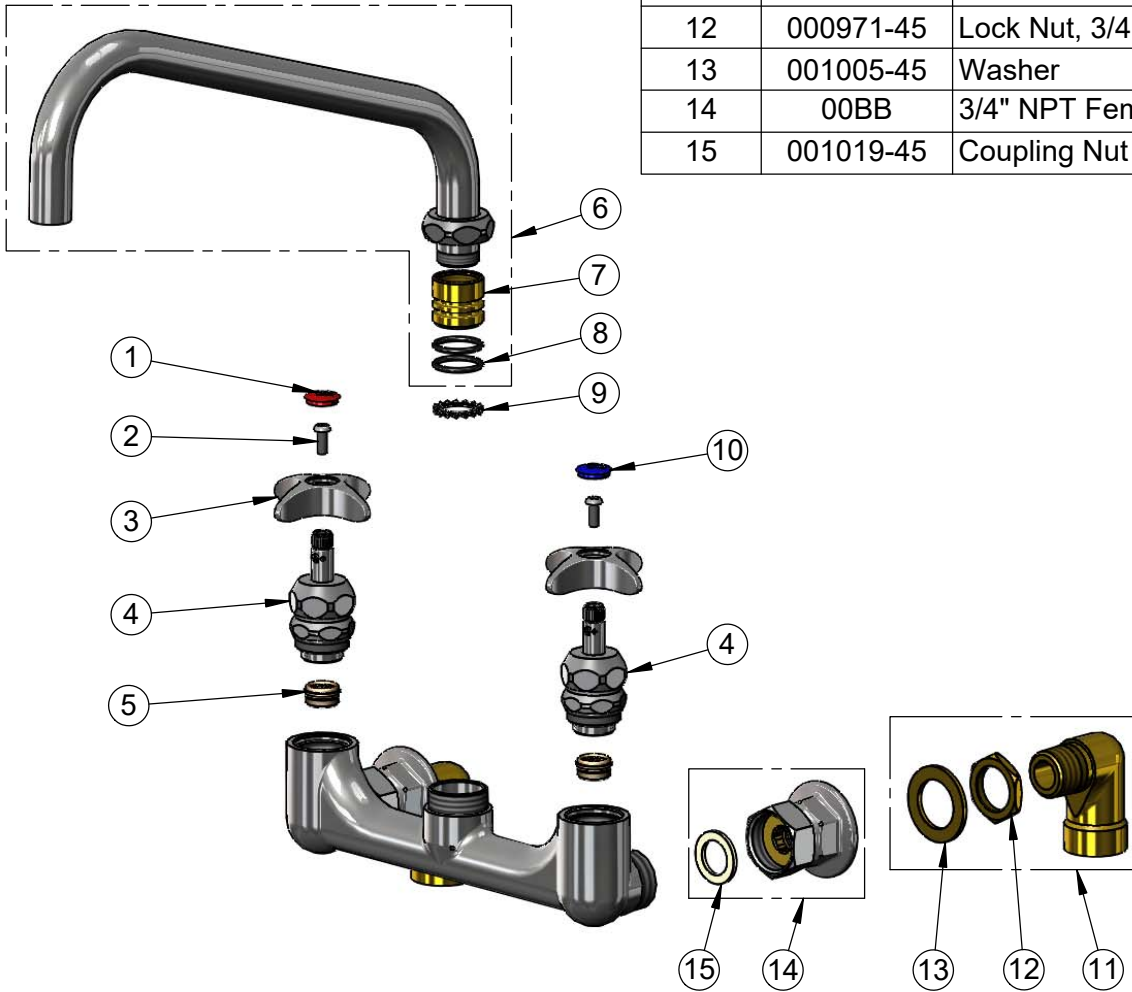
Model No.

**B-0290**

Item No.

Travelers Rest, SC: 800-476-4103 • Simi Valley, CA: 800-423-0150 • Fax: 864-834-3518 • www.tsbrass.com

ITEM NO.	SALES NO.	DESCRIPTION
1	001193-19NS	Red Button Index, Press-in
2	000925-45	Lab Handle Screw
3	002521-45NS	4-Arm Handle (New Style)
4	006482-40NS	Big-Flo Cartridge, RTC
5	000764-20	Seat, Big-Flo
6	114X	12" Big-Flo Swing Nozzle
7	000847-20	Big-Flo Swivel Piece
8	001068-45	O-ring
9	016807-45	Serrated Lock Washer
10	018506-19NS	Blue Button Index, Press-in
11	00LL	3/4" Short Elbow Inlet
12	000971-45	Lock Nut, 3/4" NPSM
13	001005-45	Washer
14	00BB	3/4" NPT Female Eccentric Flange
15	001019-45	Coupling Nut Washer



**Product Specifications:**

8" Wall Mount Big-Flo Mixing Faucet, Big-Flo Cartridges, 4-Arm Handles, 12" Big-Flo Swing Nozzle & 3/4" NPT Elbow Inlets

**Product Compliance:**

ASME A112.18.1 / CSA B125.1  
NSF 61 - Section 9  
NSF 372 (Low Lead Content)  
ANSI A117.1 (ADA)