



T&S BRASS AND BRONZE WORKS, INC.

2 Saddleback Cove / P.O. Box 1088
Travelers Rest, SC 29690

Model No.

B-0301-01-QT

Item No.

Travelers Rest, SC: 800-476-4103 • Simi Valley, CA: 800-423-0150 • Fax: 864-834-3518 • www.tsbrass.com

This Space for Architect/Engineer Approval

Job Name _____ Date _____

Model Specified _____ Quantity _____

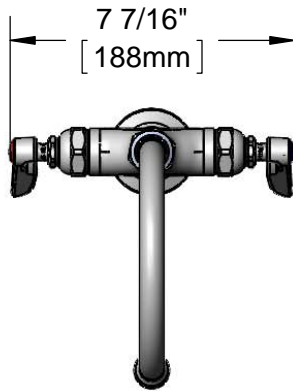
Customer/Wholesaler _____

Contractor _____

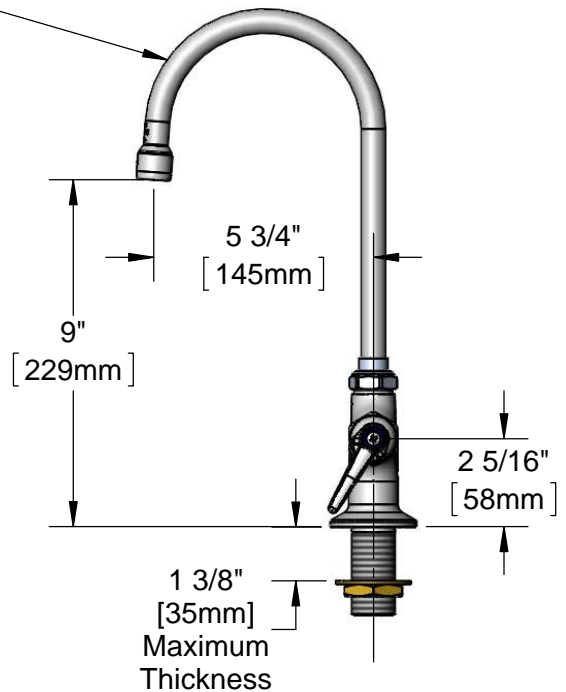
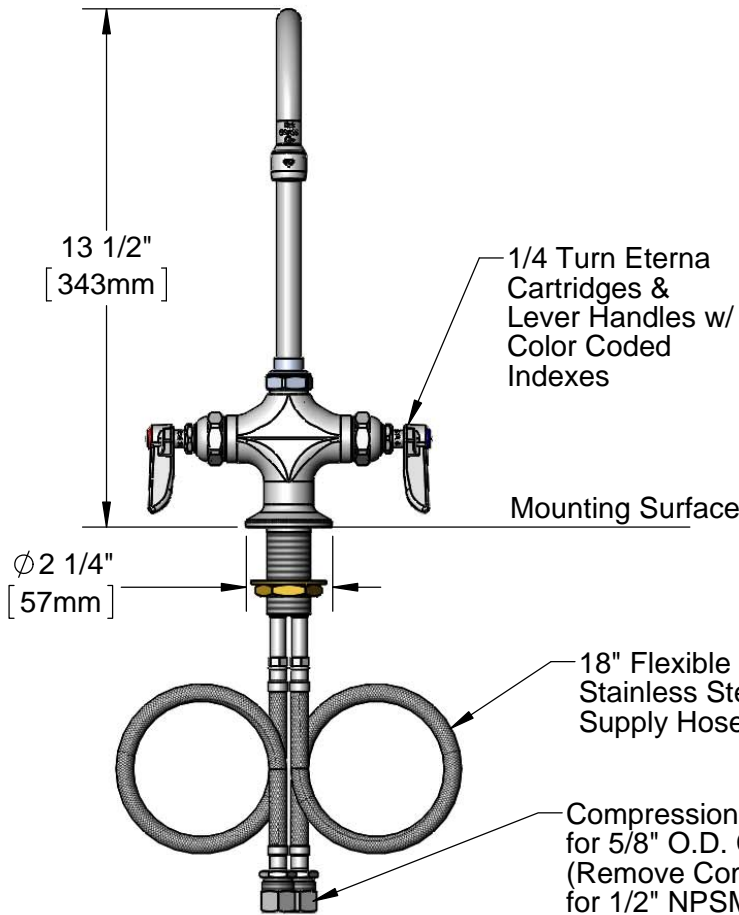
Architect/Engineer _____



ADA Compliant



Swivel Gooseneck w/
B-0199-01
2.2 GPM Aerator.
Converts to rigid with
furnished 014200-45
lock washer.



Rough-in Requirement:
Ø 1 1/2" [38mm] Mounting Hole

Product Specifications:

Single Hole Deck Mount Mixing Faucet, Quarter Turn Eterna Cartridges, Swivel Gooseneck, 2.2 GPM Aerator, Lever Handles & 18" Flexible Stainless Steel Supply Hoses w/ 1/2" NPSM Male Inlets

Product Compliance:

ASME A112.18.1 / CSA B125.1
NSF 61 - Section 9
NSF 372 (Low Lead Content)
ANSI A117.1 (ADA)



T&S BRASS AND BRONZE WORKS, INC.

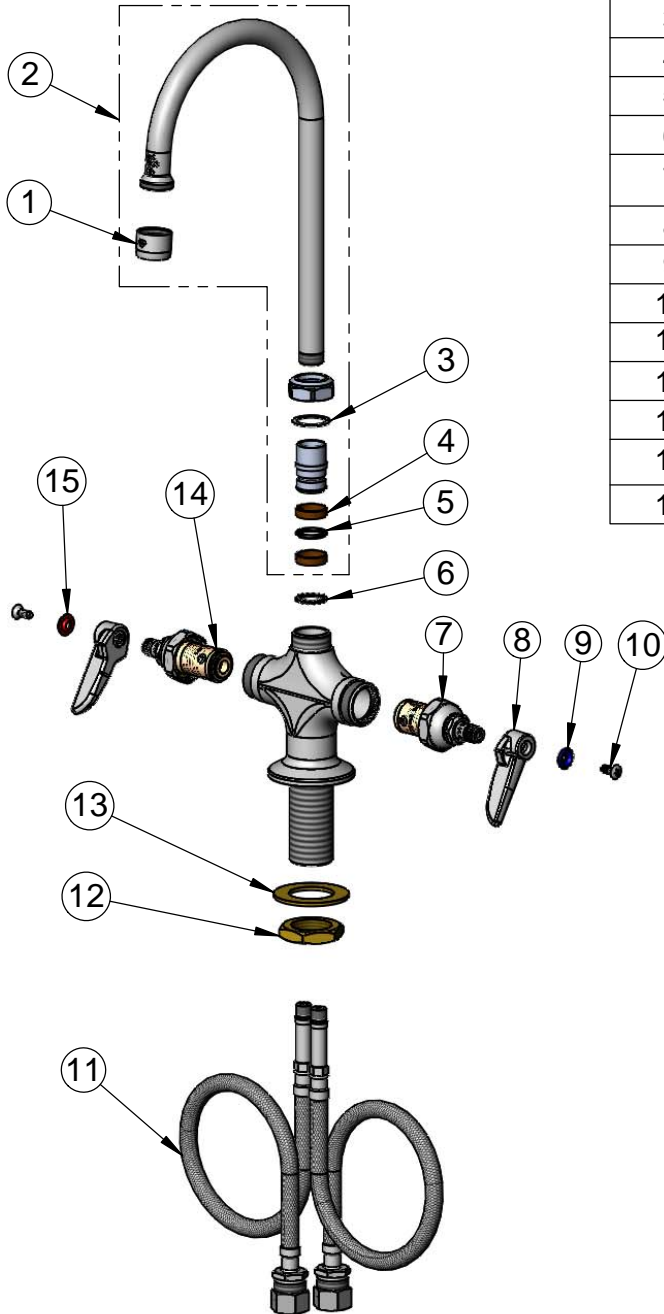
2 Saddleback Cove / P.O. Box 1088
Travelers Rest, SC 29690

Model No.

B-0301-01-QT

Item No.

Travelers Rest, SC: 800-476-4103 • Simi Valley, CA: 800-423-0150 • Fax: 864-834-3518 • www.tsbrass.com



| ITEM NO. | SALES NO. | DESCRIPTION |
|----------|-------------|--------------------------------------|
| 1 | B-0199-01 | 2.2 GPM Aerator, 55/64"-27 UN Female |
| 2 | 133X-AER | 133X Swivel Gooseneck w/ Aerator |
| 3 | 009538-45 | Swivel Washer |
| 4 | 011429-45 | Swivel Sleeves (2) |
| 5 | 001074-45 | O-Ring |
| 6 | 014200-45 | Star Washer, Anti-Rotation |
| 7 | 005959-40QT | 1/4 Turn Eterna Cartridge, LTC |
| 8 | 001638-45 | Lever Handle |
| 9 | 001660-45 | Blue Index-CW |
| 10 | 000922-45 | Lever Handle Screw |
| 11 | 012534-45 | 18" Flexible Supply Hose (2) |
| 12 | 000965-45 | Lock Nut |
| 13 | 002290-45 | Lock Washer |
| 14 | 005960-40QT | 1/4 Turn Eterna Cartridge, RTC |
| 15 | 001661-45 | Red Index-HW |

Product Specifications:

Single Hole Deck Mount Mixing Faucet, Quarter Turn Eterna Cartridges, Swivel Gooseneck, 2.2 GPM Aerator, Lever Handles & 18" Flexible Stainless Steel Supply Hoses w/ 1/2" NPSM Male Inlets

Product Compliance:

ASME A112.18.1 / CSA B125.1
NSF 61 - Section 9
NSF 372 (Low Lead Content)
ANSI A117.1 (ADA)