



T&S BRASS AND BRONZE WORKS, INC.

2 Saddleback Cove / P.O. Box 1088
Travelers Rest, SC 29690

Model No.

B-0320

Item No.

Travelers Rest, SC: 800-476-4103 • Simi Valley, CA: 800-423-0150 • Fax: 864-834-3518 • www.tsbrass.com



ADA Compliant

This Space for Architect/Engineer Approval

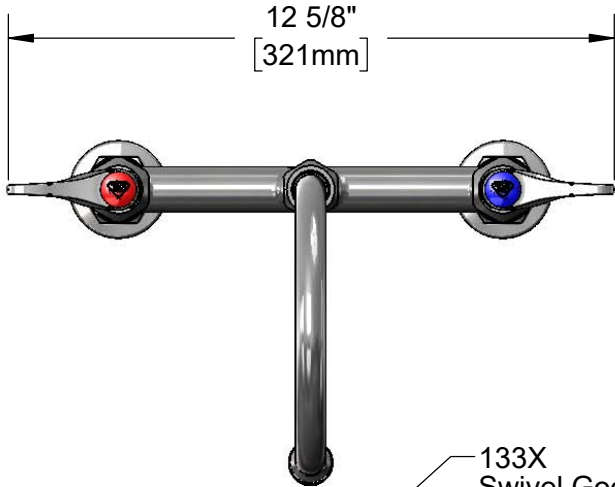
Job Name _____ Date _____

Model Specified _____ Quantity _____

Customer/Wholesaler _____

Contractor _____

Architect/Engineer _____

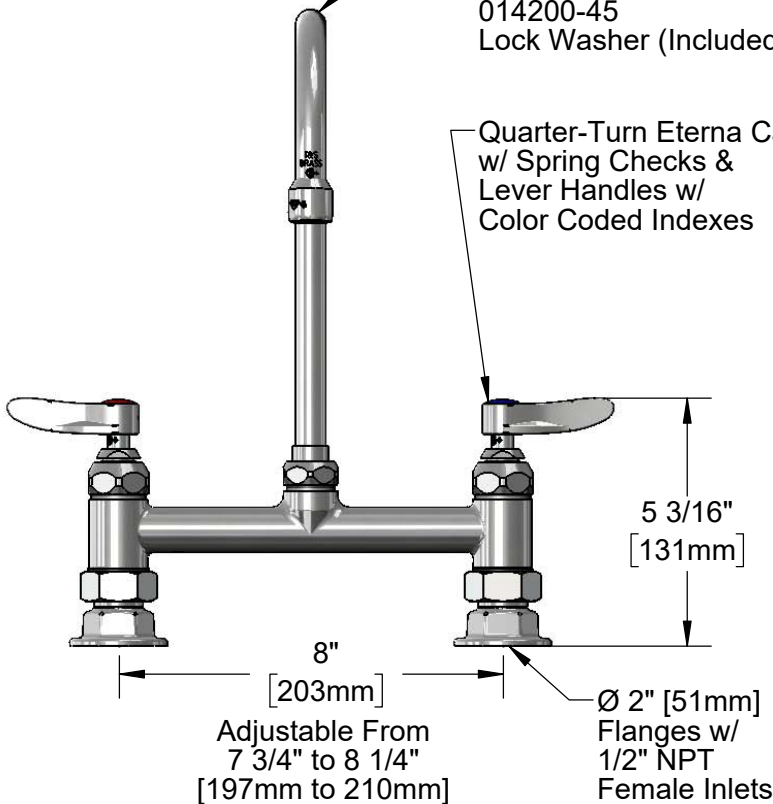


12 5/8"
[321mm]



133X
Swivel Gooseneck w/
Stream Regulator Outlet.
Converts to Rigid w/
014200-45
Lock Washer (Included)

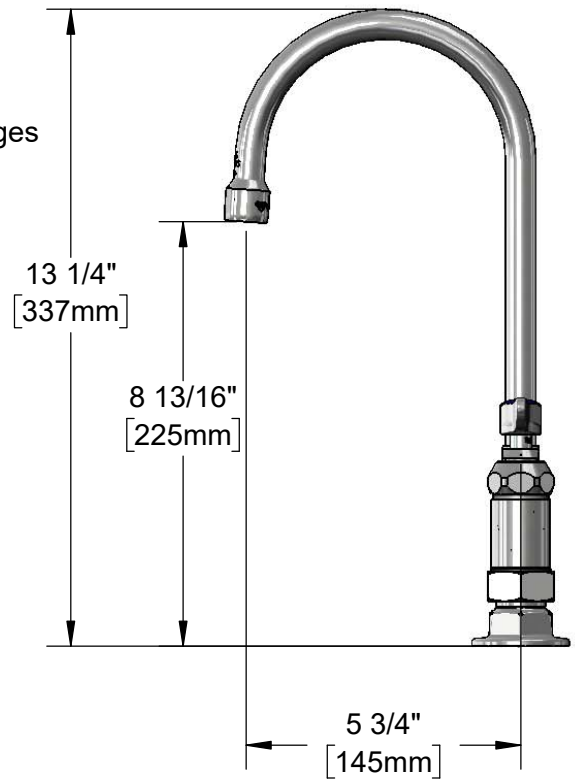
Quarter-Turn Eterna Cartridges
w/ Spring Checks &
Lever Handles w/
Color Coded Indexes



5 3/16"
[131mm]

8"
[203mm]
Adjustable From
7 3/4" to 8 1/4"
[197mm to 210mm]

Ø 2" [51mm]
Flanges w/
1/2" NPT
Female Inlets



13 1/4"
[337mm]

8 13/16"
[225mm]

5 3/4"
[145mm]

Product Specifications:

8" Deck Mount Mixing Faucet, Quarter-Turn Eterna Cartridges w/ Spring Checks, Lever Handles, 5 3/4" Swivel/Rigid Gooseneck w/ Stream Regulator Outlet & 1/2" NPT Female Inlets

Product Compliance:

ASME A112.18.1 / CSA B125.1
NSF 61 - Section 9
NSF 372 (Low Lead Content)
ANSI A117.1 (ADA)



T&S BRASS AND BRONZE WORKS, INC.

2 Saddleback Cove / P.O. Box 1088
Travelers Rest, SC 29690

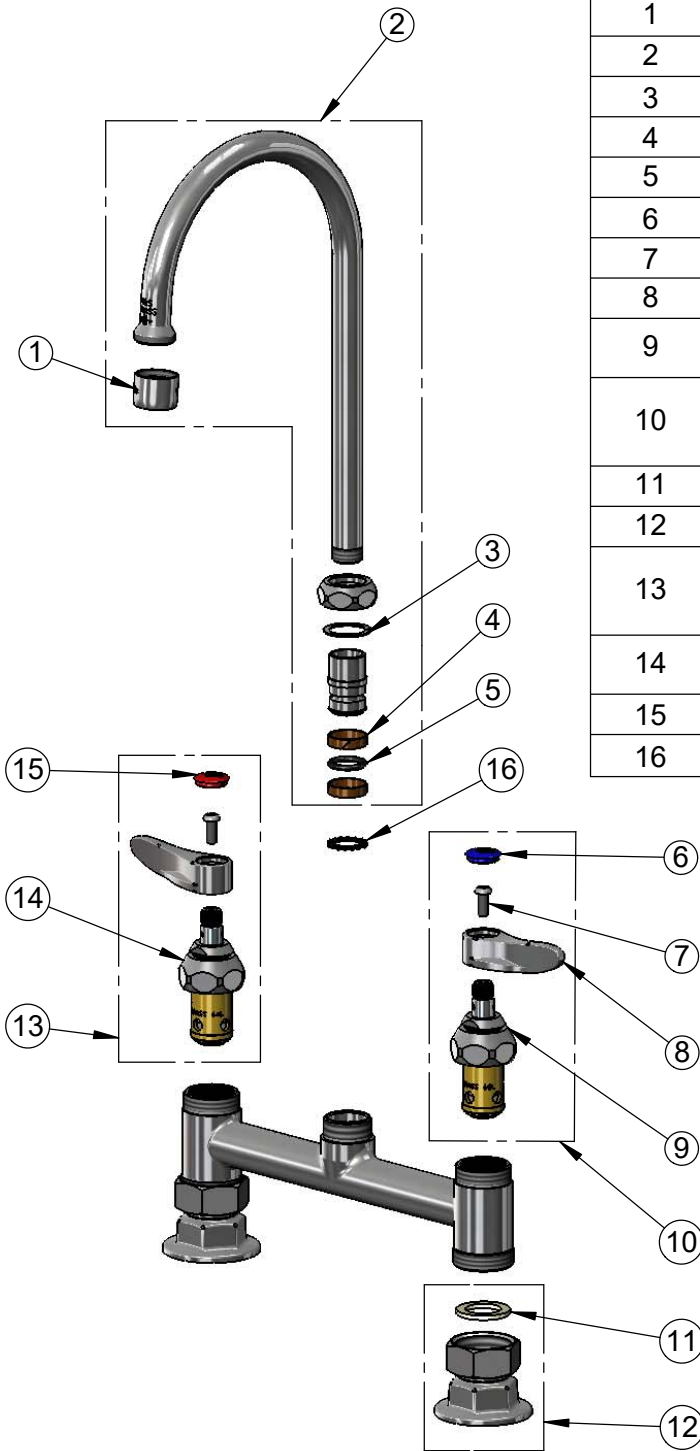
Model No.

B-0320

Item No.

Travelers Rest, SC: 800-476-4103 • Simi Valley, CA: 800-423-0150 • Fax: 864-834-3518 • www.tsbrass.com

ITEM NO.	SALES NO.	DESCRIPTION
1	B-PT	Full Flow Stream Regulator, 55/64-27
2	133X	6" Swivel/Rigid Gooseneck
3	009538-45	Swivel Washer
4	011429-45	Swivel Sleeves (2)
5	001074-45	O-Ring
6	018506-19NS	Blue Button Index, Press-in
7	000925-45	Lab Handle Screw
8	001638-45NS	Lever Handle (New Style)
9	012442-40NS	Quarter-Turn Eterna Cartridge, LTC w/ Spring Check
10	002711-40NS	Quarter-Turn Eterna Cartridge LTC w/ Spring Check, Handle, Blue Index & Screw
11	001019-45	Coupling Nut Washer
12	00AA	1/2" NPT Female Eccentric Flange
13	002712-40NS	Quarter-Turn Eterna Cartridge, RTC w/ Spring Check, Handle, Red Index & Screw
14	012443-40NS	Quarter-Turn Eterna Cartridge, RTC w/ Spring Check
15	001193-19NS	Red Button Index, Press-in
16	014200-45	Star Washer, Anti-Rotation



Product Specifications:

8" Deck Mount Mixing Faucet, Quarter-Turn Eterna Cartridges w/ Spring Checks, Lever Handles, 5 3/4" Swivel/Rigid Gooseneck w/ Stream Regulator Outlet & 1/2" NPT Female Inlets

Product Compliance:

ASME A112.18.1 / CSA B125.1
NSF 61 - Section 9
NSF 372 (Low Lead Content)
ANSI A117.1 (ADA)