



T&S BRASS AND BRONZE WORKS, INC.

2 Saddleback Cove / P.O. Box 1088
Travelers Rest, SC 29690

Model No.

B-0330

Item No.

Travelers Rest, SC: 800-476-4103 • Simi Valley, CA: 800-423-0150 • Fax: 864-834-3518 • www.tsbrass.com



ADA Compliant

This Space for Architect/Engineer Approval

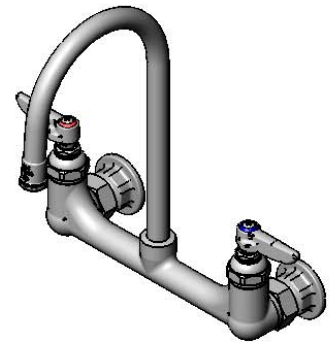
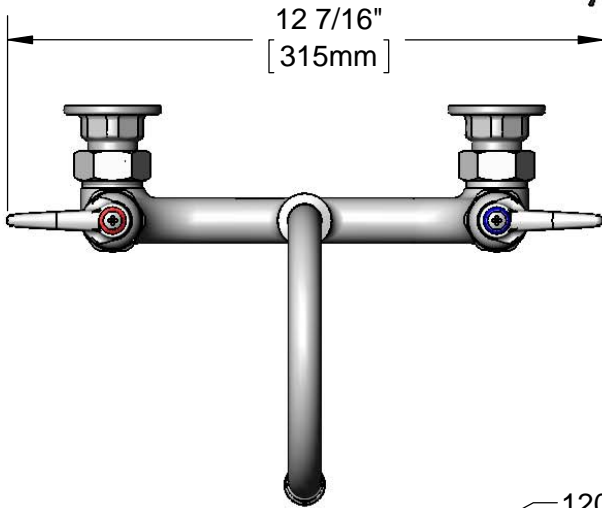
Job Name _____ Date _____

Model Specified _____ Quantity _____

Customer/Wholesaler _____

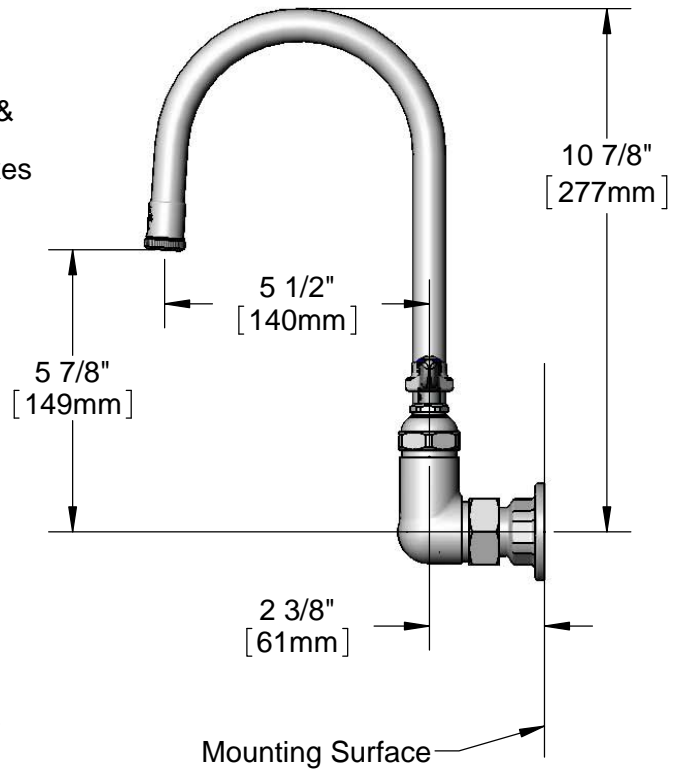
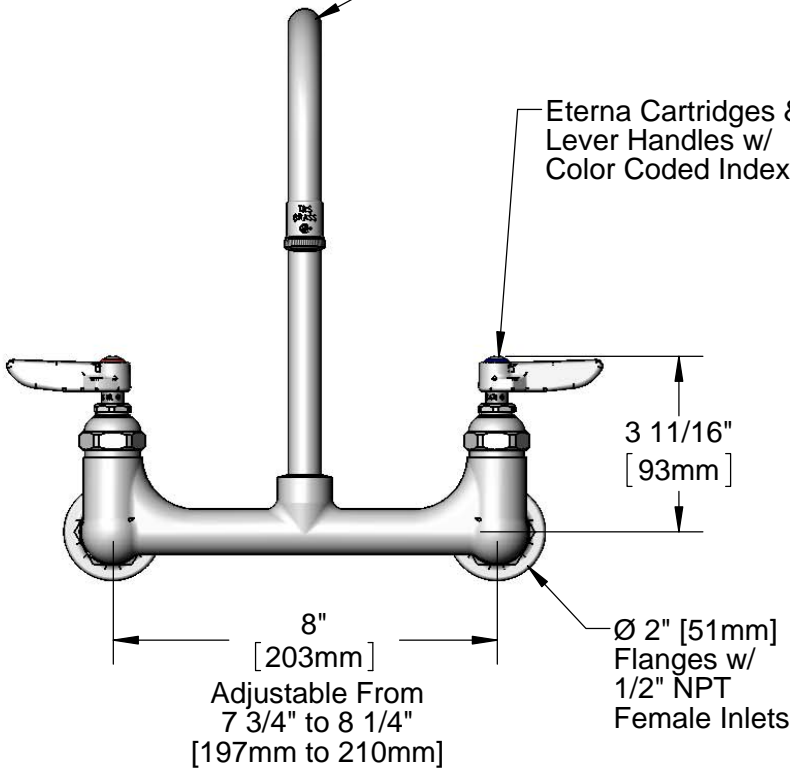
Contractor _____

Architect/Engineer _____



120X
Rigid Gooseneck w/
Stream Regulator Outlet

Eterna Cartridges &
Lever Handles w/
Color Coded Indexes



Product Specifications:

8" Wall Mount Mixing Faucet, Eterna Cartridges, Lever Handles,
5 1/2" Rigid Gooseneck w/ Stream Regulator Outlet & 1/2" NPT
Female Inlets

Product Compliance:

ASME A112.18.1 / CSA B125.1
NSF 61 - Section 9
NSF 372 (Low Lead Content)
ANSI A117.1 (ADA)



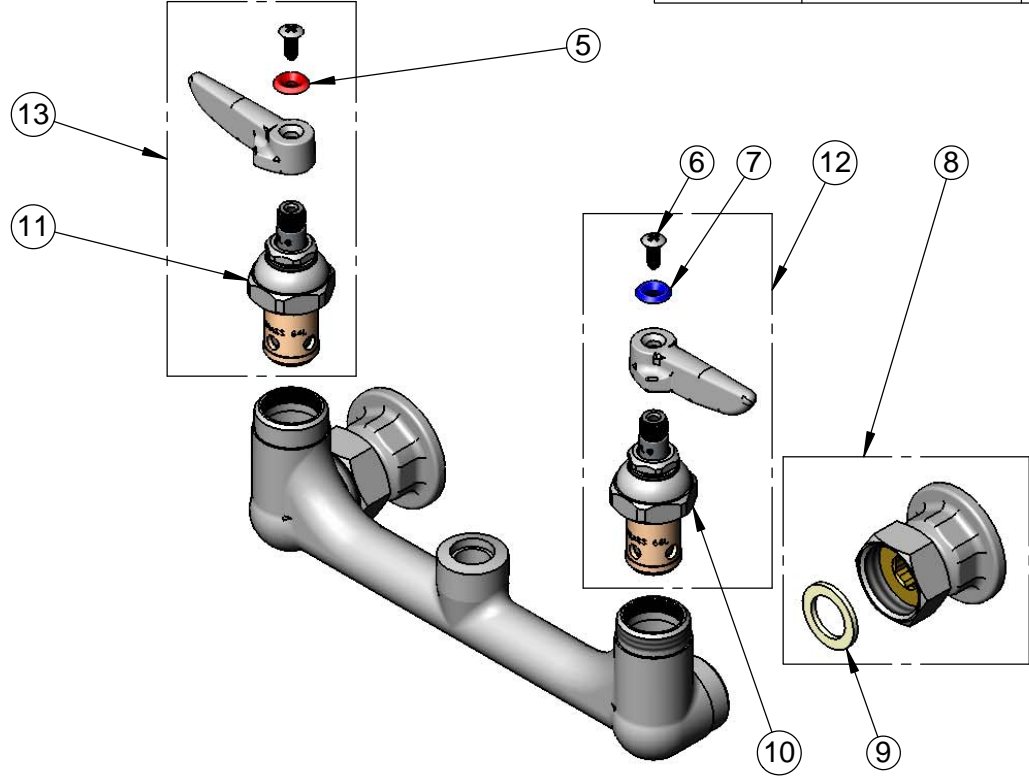
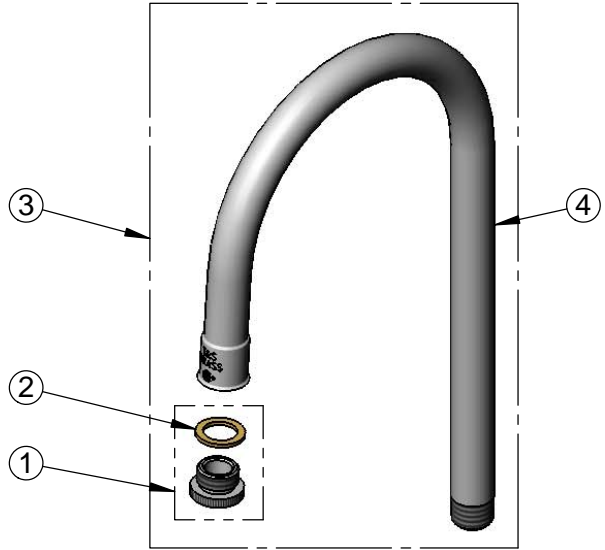
T&S BRASS AND BRONZE WORKS, INC.
 2 Saddleback Cove / P.O. Box 1088
 Travelers Rest, SC 29690

Model No.
B-0330

Item No.

Travelers Rest, SC: 800-476-4103 • Simi Valley, CA: 800-423-0150 • Fax: 864-834-3518 • www.tsbrass.com

| ITEM NO. | SALES NO. | DESCRIPTION |
|----------|-----------|--|
| 1 | B-LT | Stream Regulator Outlet |
| 2 | 001043-45 | Washer |
| 3 | 120X | Rigid Gooseneck |
| 4 | 000398-45 | Rigid Gooseneck, 3/8" NPSM Male Inlet |
| 5 | 001661-45 | Red Index-HW |
| 6 | 000922-45 | Lever Handle Screw |
| 7 | 001660-45 | Blue Index-CW |
| 8 | 00AA | 1/2" NPT Female Eccentric Flange |
| 9 | 001019-45 | Coupling Nut Washer |
| 10 | 005959-40 | Eterna Cartridge - LTC |
| 11 | 005960-40 | Eterna Cartridge - RTC |
| 12 | 002713-40 | Eterna Cartridge, LTC w/ Handle, Index & Screw |
| 13 | 002714-40 | Eterna Cartridge, RTC w/ Handle, Index & Screw |



Product Specifications:
 8" Wall Mount Mixing Faucet, Eterna Cartridges, Lever Handles,
 5 1/2" Rigid Goosneck w/ Stream Regulator Outlet & 1/2" NPT
 Female Inlets

Product Compliance:
 ASME A112.18.1 / CSA B125.1
 NSF 61 - Section 9
 NSF 372 (Low Lead Content)
 ANSI A117.1 (ADA)