



T&S BRASS AND BRONZE WORKS, INC.

2 Saddleback Cove / P.O. Box 1088
Travelers Rest, SC 29690

Model No.

B-0340

Item No.

Travelers Rest, SC: 800-476-4103 • Simi Valley, CA: 800-423-0150 • Fax: 864-834-3518 • www.tsbrass.com



ADA Compliant

This Space for Architect/Engineer Approval

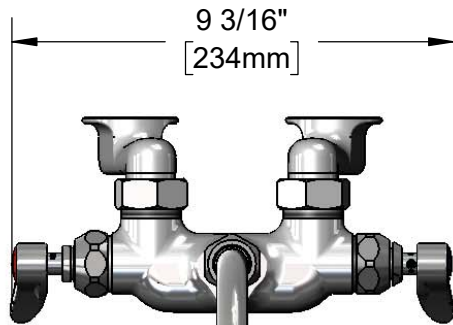
Job Name _____ Date _____

Model Specified _____ Quantity _____

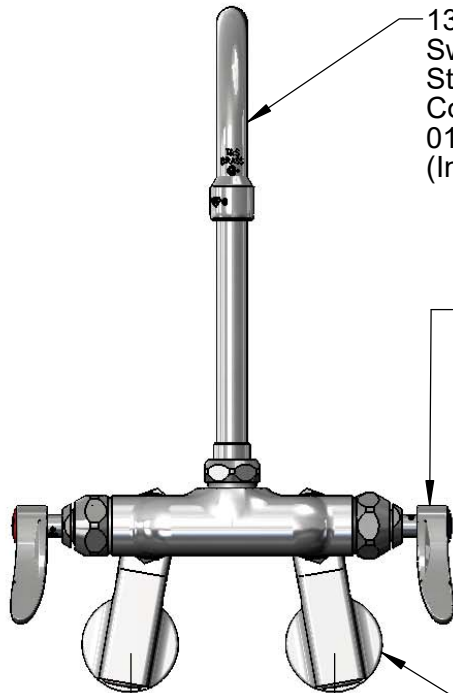
Customer/Wholesaler _____

Contractor _____

Architect/Engineer _____



9 3/16"
[234mm]



133X
Swivel Gooseneck w/
Stream Regulator Outlet.
Converts to Rigid w/
014200-45 Lock Washer
(Included)

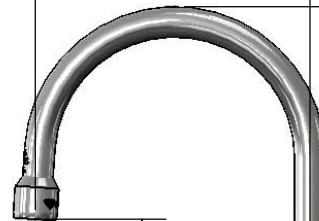
Quarter-Turn Eterna
Cartridges w/ Spring
Checks & Lever Handles
w/ Color Coded Indexes

Ø 2" [51mm] Wall
Flanges w/ 1/2" NPT
Female Inlets

Adjustable
from
2 1/4" to 8 1/4"
[57mm to 210mm]
Above or Below Centerline

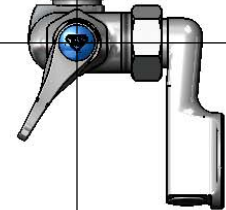


5 3/4"
[145mm]



6 1/2"
[162mm]

10 13/16"
[275mm]



3 1/16"
[77mm]

Mounting Surface

Product Specifications:

Wall Mount Mixing Faucet, Quarter-Turn Eterna Cartridges w/ Spring Checks, Lever Handles, 5 3/4" Swivel/Rigid Gooseneck w/ Stream Regulator Outlet & 1/2" NPT Female Adjustable Arm Inlets

Product Compliance:

ASME A112.18.1 / CSA B125.1
NSF 61 - Section 9
NSF 372 (Low Lead Content)
ANSI A117.1 (ADA)



T&S BRASS AND BRONZE WORKS, INC.

2 Saddleback Cove / P.O. Box 1088
Travelers Rest, SC 29690

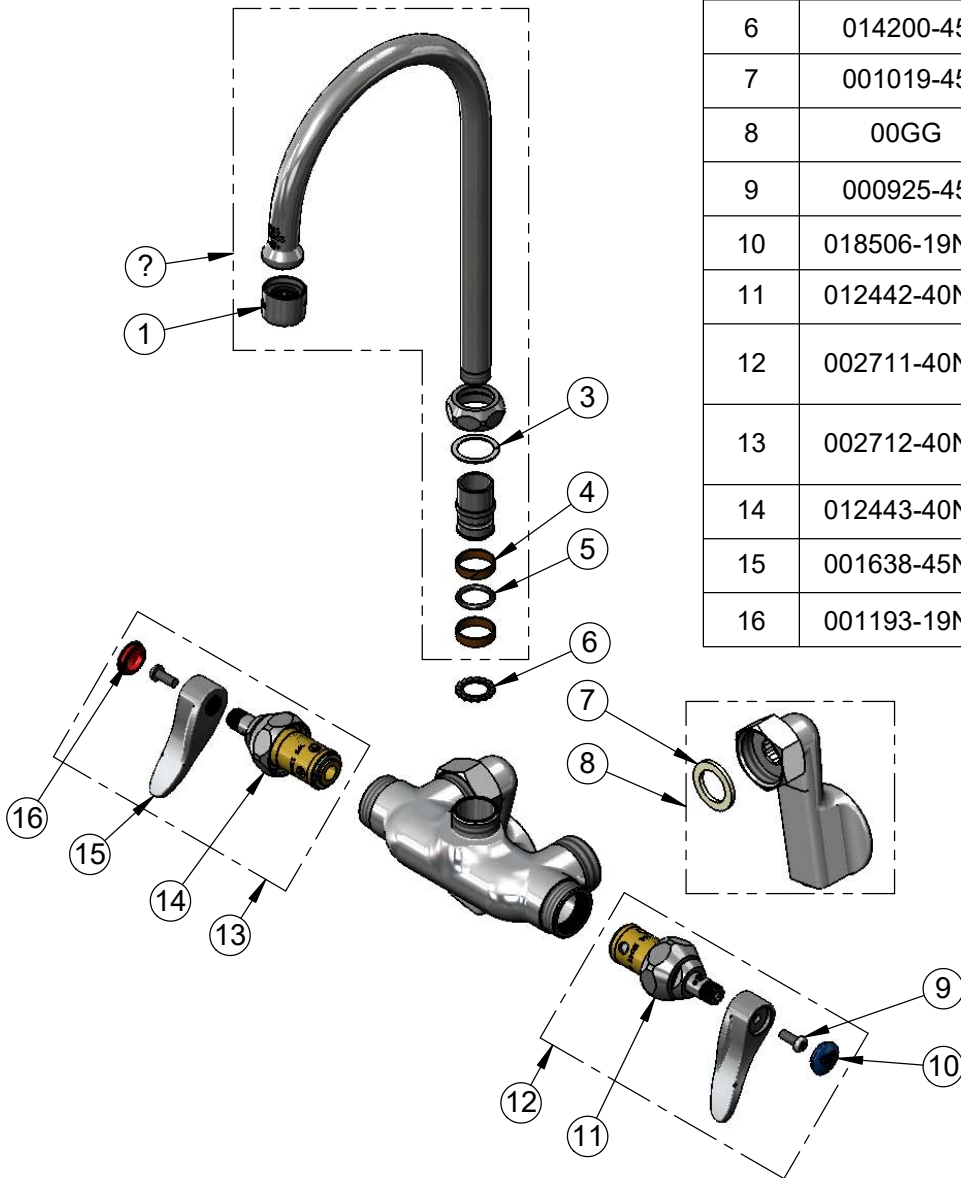
Model No.

B-0340

Item No.

Travelers Rest, SC: 800-476-4103 • Simi Valley, CA: 800-423-0150 • Fax: 864-834-3518 • www.tsbrass.com

ITEM NO.	SALES NO.	DESCRIPTION
1	B-PT	Full Flow Stream Regulator, 55/64-27
2	133X	6" Swivel Gooseneck w/ Stream Regulator
3	009538-45	Swivel Washer
4	011429-45	Swivel Sleeves (2)
5	001074-45	O-Ring
6	014200-45	Star Washer, Anti-Rotation
7	001019-45	Coupling Nut Washer
8	00GG	1/2" NPT Female Adjustable Arm Inlet Flange
9	000925-45	Lab Handle Screw
10	018506-19NS	Blue Button Index, Press-in
11	012442-40NS	Quarter-Turn Eterna Cartridge w/ Spring Check, LTC
12	002711-40NS	Quarter-Turn Eterna Cartridge w/ Spring Check, Handle, Blue Index & Screw, LTC
13	002712-40NS	Quarter-Turn Eterna Cartridge w/ Spring Check, Handle, Red Index & Screw, RTC
14	012443-40NS	Quarter-Turn Eterna Cartridge w/ Spring Check, RTC
15	001638-45NS	Lever Handle (New Style)
16	001193-19NS	Red Button Index, Press-in



Product Specifications:

Wall Mount Mixing Faucet, Quarter-Turn Eterna Cartridges w/ Spring Checks, Lever Handles, 5 3/4" Swivel/Rigid Gooseneck w/ Stream Regulator Outlet & 1/2" NPT Female Adjustable Arm Inlets

Product Compliance:

ASME A112.18.1 / CSA B125.1
NSF 61 - Section 9
NSF 372 (Low Lead Content)
ANSI A117.1 (ADA)