



T&S BRASS AND BRONZE WORKS, INC.
 2 Saddleback Cove / P.O. Box 1088
 Travelers Rest, SC 29690

Model No.
B-0340-LN

Item No.

Travelers Rest, SC: 800-476-4103 • Simi Valley, CA: 800-423-0150 • Fax: 864-834-3518 • www.tsbrass.com



ADA Compliant

This Space for Architect/Engineer Approval

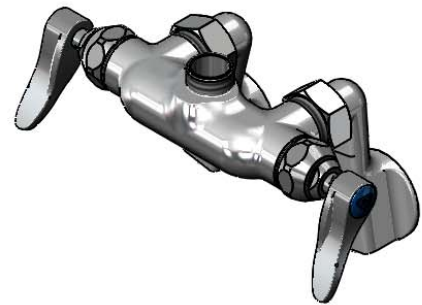
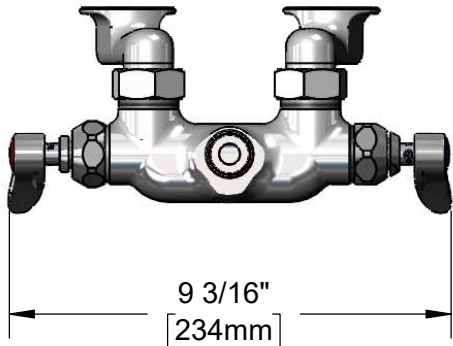
Job Name _____ Date _____

Model Specified _____ Quantity _____

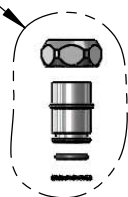
Customer/Wholesaler _____

Contractor _____

Architect/Engineer _____

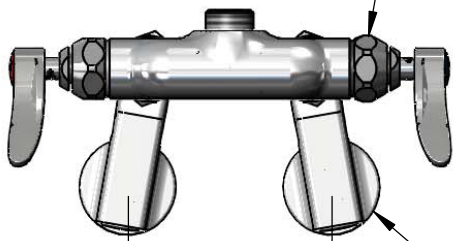


EZ-K
 EasyInstall Kit
 Converts Rigid Risers &
 Nozzles For Use with
 Swivel Outlet (Included)



Quarter-Turn Eterna
 Cartridges w/ Spring
 Checks & Lever Handles
 w/ Color Coded Indexes

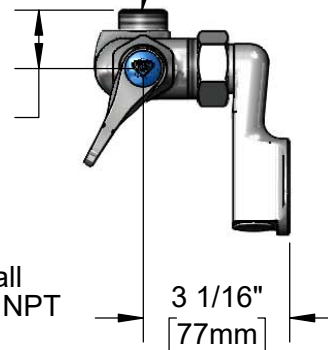
Swivel Outlet Accepts
 Standard T&S Swing Nozzles
 and EasyInstall Risers



1 1/4"
 [31mm]

Adjustable
 from
 2 1/4" to 8 1/4"
 [57mm to 210mm]
 Above or Below c/c

Ø2" [51mm] Wall
 Flanges w/ 1/2" NPT
 Female Inlets



3 1/16"
 [77mm]

Product Specifications:

Wall Mount Mixing Faucet, Quarter-Turn Eterna Cartridges w/ Spring Checks, Lever Handles, 1/2" NPT Adjustable Arm Inlets & Less Nozzle

Product Compliance:

ASME A112.18.1 / CSA B125.1
 NSF 61 - Section 9
 NSF 372 (Low Lead Content)
 ANSI A117.1 (ADA)



T&S BRASS AND BRONZE WORKS, INC.

2 Saddleback Cove / P.O. Box 1088
Travelers Rest, SC 29690

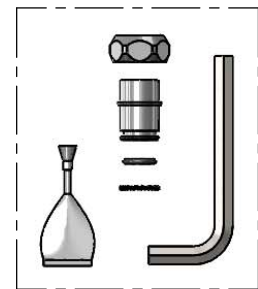
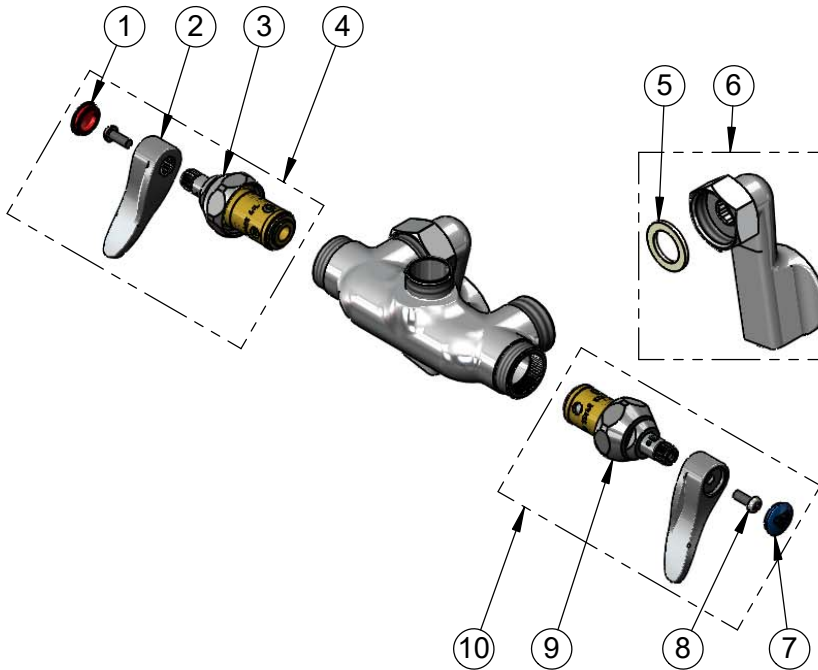
Model No.

B-0340-LN

Item No.

Travelers Rest, SC: 800-476-4103 • Simi Valley, CA: 800-423-0150 • Fax: 864-834-3518 • www.tsbrass.com

ITEM NO.	SALES NO.	DESCRIPTION
1	001193-19NS	Red Button Index, Press-in
2	001638-45NS	Lever Handle (New Style)
3	012443-40NS	Quarter-Turn Eterna Cartridge w/ Spring Check, RTC
4	002712-40NS	Quarter-Turn Eterna Cartridge w/ Spring Check, Handle, Red Index & Screw, RTC
5	001019-45	Coupling Nut Washer
6	00GG	1/2" NPT Female Adjustable Arm Flange
7	018506-19NS	Blue Button Index, Press-in
8	000925-45	Lab Handle Screw
9	012442-40NS	Quarter-Turn Eterna Cartridge w/ Spring Check, LTC
10	002711-40NS	Quarter-Turn Eterna Cartridge w/ Spring Check, Handle, Blue Index & Screw, LTC



EZ-K
Converts Rigid Outlets to EasyInstall for Use with T&S Swivel Base Faucets

Product Specifications:

Wall Mount Mixing Faucet, Quarter-Turn Eterna Cartridges w/ Spring Checks, Lever Handles, 1/2" NPT Adjustable Arm Inlets & Less Nozzle

Product Compliance:

ASME A112.18.1 / CSA B125.1
NSF 61 - Section 9
NSF 372 (Low Lead Content)
ANSI A117.1 (ADA)