



# T&S BRASS AND BRONZE WORKS, INC.

2 Saddleback Cove / P.O. Box 1088  
Travelers Rest, SC 29690

Model No.

**B-0430**

Item No.

Travelers Rest, SC: 800-476-4103 • Simi Valley, CA: 800-423-0150 • Fax: 864-834-3518 • www.tsbrass.com

This Space for Architect/Engineer Approval

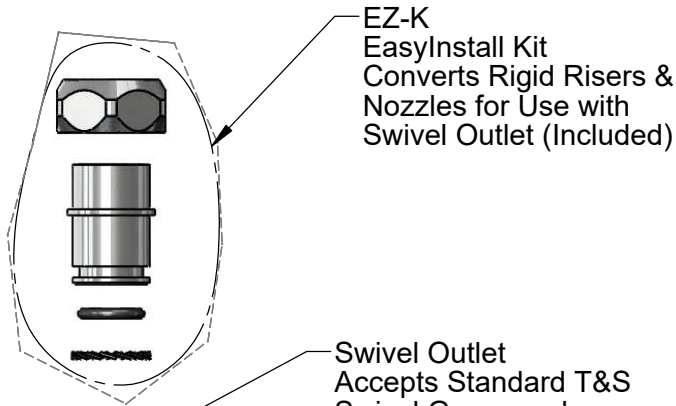
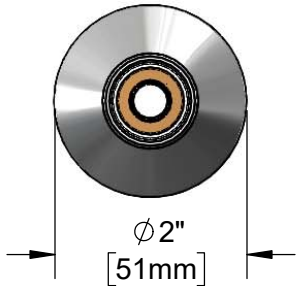
Job Name \_\_\_\_\_ Date \_\_\_\_\_

Model Specified \_\_\_\_\_ Quantity \_\_\_\_\_

Customer/Wholesaler \_\_\_\_\_

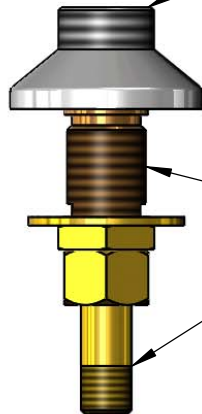
Contractor \_\_\_\_\_

Architect/Engineer \_\_\_\_\_



EZ-K  
EasyInstall Kit  
Converts Rigid Risers &  
Nozzles for Use with  
Swivel Outlet (Included)

Swivel Outlet  
Accepts Standard T&S  
Swivel Goosenecks



Mounting Surface

1/2" NPSM Male Shank w/  
Locknut & Washer

150A Tailpiece  
and Nut Furnished  
for Optional  
1/4" NPT Connection

1 1/16"  
[27mm]

1 1/8"  
[29mm]  
Maximum  
Thickness

4 1/4"  
[108mm]

Rough-In Requirement:  
Ø 1" [25mm] Mounting Hole

Product Specifications:  
Ø 2" Swivel Base Flange Accepts Standard T&S Swing Nozzles

Product Compliance:  
ASME A112.18.1 / CSA B125.1  
NSF 61 - Section 9  
NSF 372 (Low Lead Content)



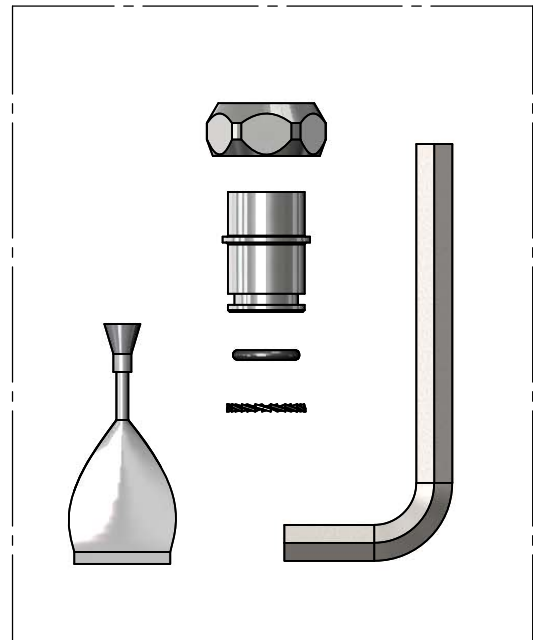
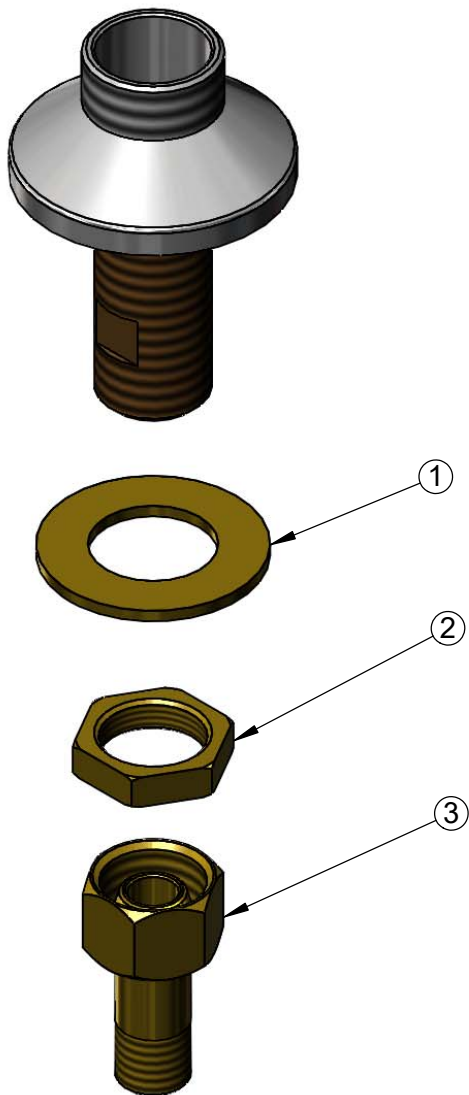
**T&S BRASS AND BRONZE WORKS, INC.**  
 2 Saddleback Cove / P.O. Box 1088  
 Travelers Rest, SC 29690

Model No.  
**B-0430**

Item No.

Travelers Rest, SC: 800-476-4103 • Simi Valley, CA: 800-423-0150 • Fax: 864-834-3518 • www.tsbrass.com

ITEM NO.	SALES NO.	DESCRIPTION
1	000999-45	Brass Lock Washer
2	002954-45	Shank Lock Nut
3	150A	1/4" NPT Tailpiece & Nut



**EZ-K**  
 Converts Rigid Outlets to  
 EasyInstall for Use with  
 T&S Swivel Base Faucets

Product Specifications:  
 Ø 2" Swivel Base Flange Accepts Standard T&S Swing Nozzles

Product Compliance:  
 ASME A112.18.1 / CSA B125.1  
 NSF 61 - Section 9  
 NSF 372 (Low Lead Content)