



**T&S BRASS AND BRONZE WORKS, INC.**  
 2 Saddleback Cove / P.O. Box 1088  
 Travelers Rest, SC 29690

Model No.

**B-0584**

Item No.

Travelers Rest, SC: 800-476-4103 • Simi Valley, CA: 800-423-0150 • Fax: 864-834-3518 • www.tsbrass.com

This Space for Architect/Engineer Approval

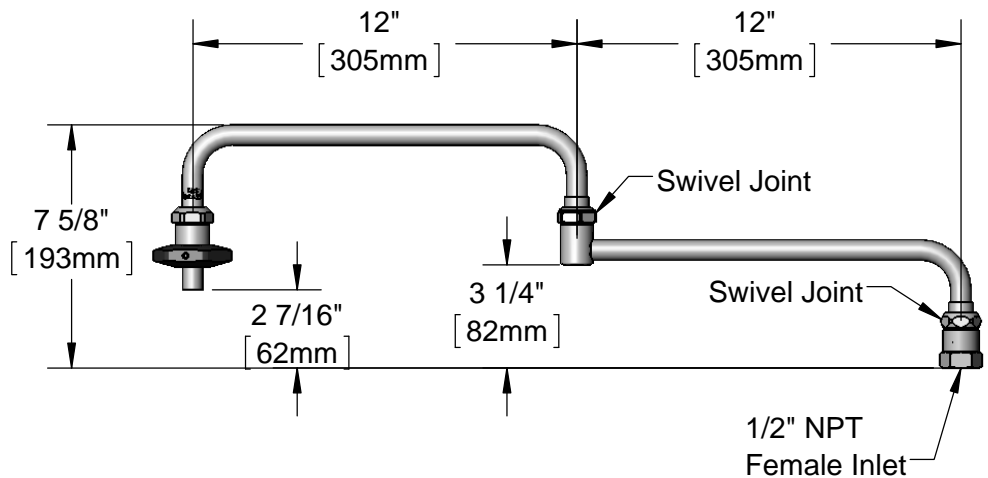
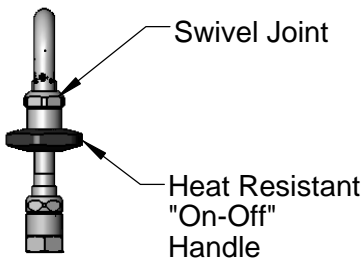
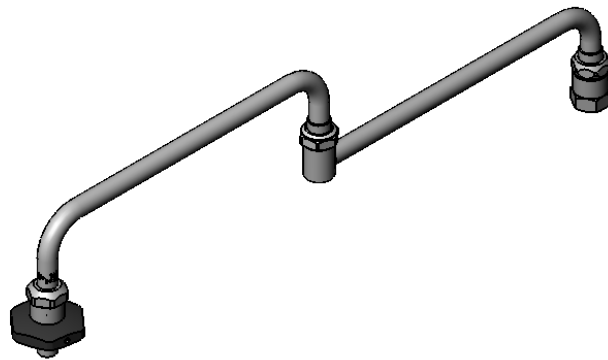
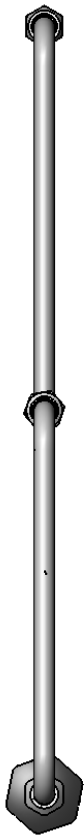
Job Name \_\_\_\_\_ Date \_\_\_\_\_

Model Specified \_\_\_\_\_ Quantity \_\_\_\_\_

Customer/Wholesaler \_\_\_\_\_

Contractor \_\_\_\_\_

Architect/Engineer \_\_\_\_\_



Product Specifications:  
 24" Swing Nozzle w/ Heat Resistant Handle, 12" Back Section, 12" Front Section & Swivel Body

Product Compliance:  
 ASME A112.18.1 / CSA B125.1  
 NSF 61 - Section 9  
 NSF 372 (Low Lead Content)

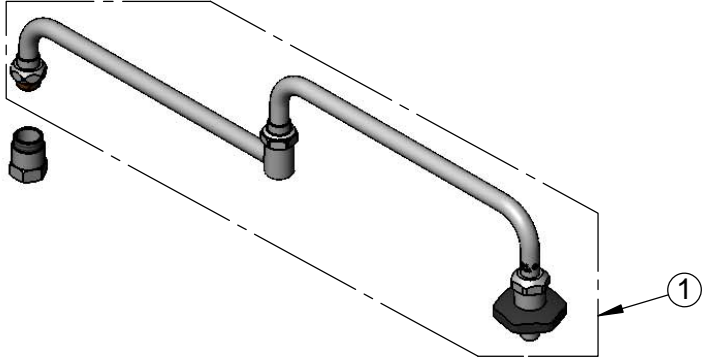


**T&S BRASS AND BRONZE WORKS, INC.**  
 2 Saddleback Cove / P.O. Box 1088  
 Travelers Rest, SC 29690

Model No.  
**B-0584**

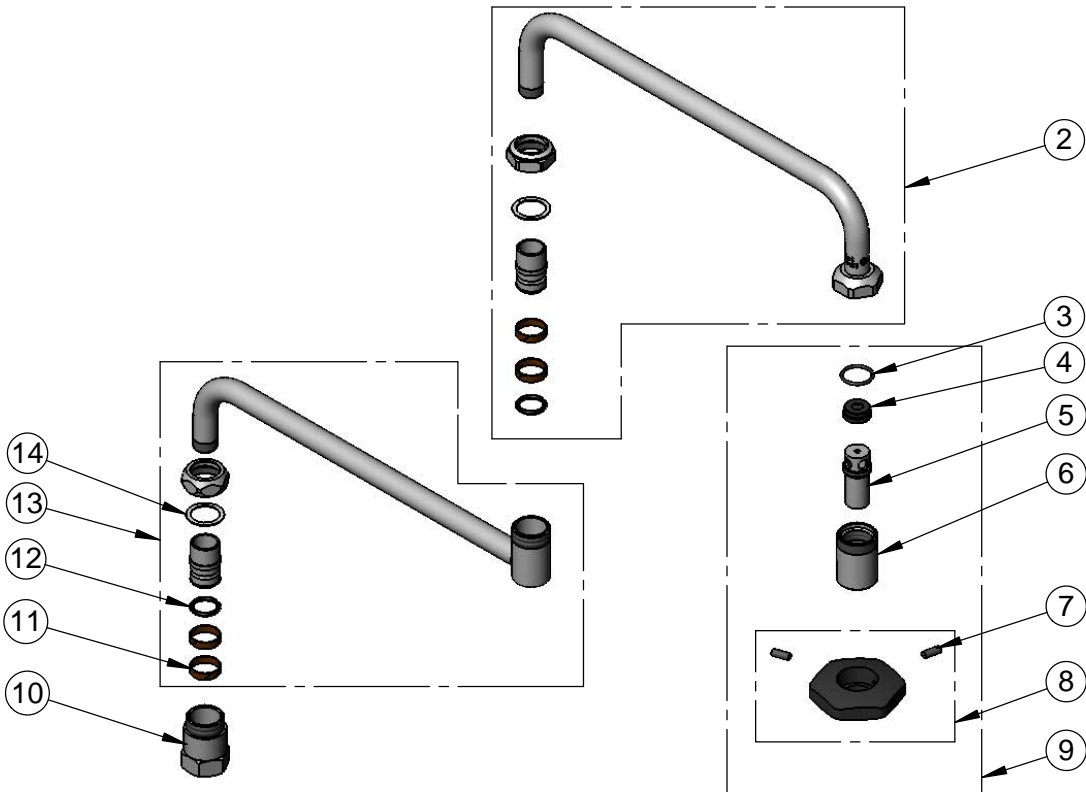
Item No.

Travelers Rest, SC: 800-476-4103 • Simi Valley, CA: 800-423-0150 • Fax: 864-834-3518 • www.tsbrass.com



Additional View for Bill of Material Clarification

ITEM NO.	SALES NO.	DESCRIPTION
1	002872-40	24" Double Joint Nozzle
2	002869-40	12" Front Section
3	003426-45	O-Ring
4	001089-45	Seal
5	001498-25	Spout
6	000587-25	Spout Body
7	000936-45	Handle Set Screw
8	001126-20	Handle w/ (2) Set Screws
9	035A	Outlet
10	000590-25	Swivel Body
11	011429-45	Swivel Sleeves (2)
12	001074-45	O-Ring
13	002871-40	12" Back Section
14	009538-45	Swivel Washer



Product Specifications:  
 24" Swing Nozzle w/ Heat Resistant Handle, 12" Back Section, 12" Front Section & Swivel Body

Product Compliance:  
 ASME A112.18.1 / CSA B125.1  
 NSF 61 - Section 9  
 NSF 372 (Low Lead Content)