



T&S BRASS AND BRONZE WORKS, INC.

2 Saddleback Cove / P.O. Box 1088
Travelers Rest, SC 29690

Model No.

B-0598

Item No.

Travelers Rest, SC: 800-476-4103 • Simi Valley, CA: 800-423-0150 • Fax: 864-834-3518 • www.tsbrass.com

This Space for Architect/Engineer Approval

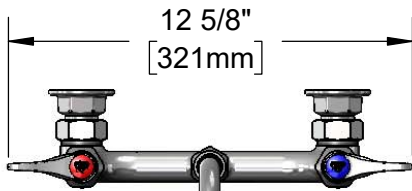
Job Name _____ Date _____

Model Specified _____ Quantity _____

Customer/Wholesaler _____

Contractor _____

Architect/Engineer _____

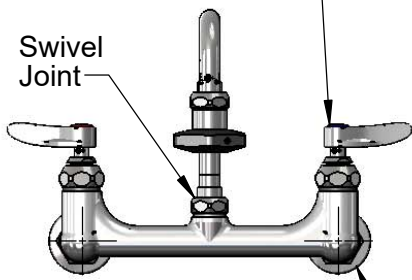


12 5/8"
[321mm]

24" Double Joint Swing Nozzle
w/ Heat Resistant Handle.
Converts to Rigid w/ 014200-45
Lock Washer (Included).



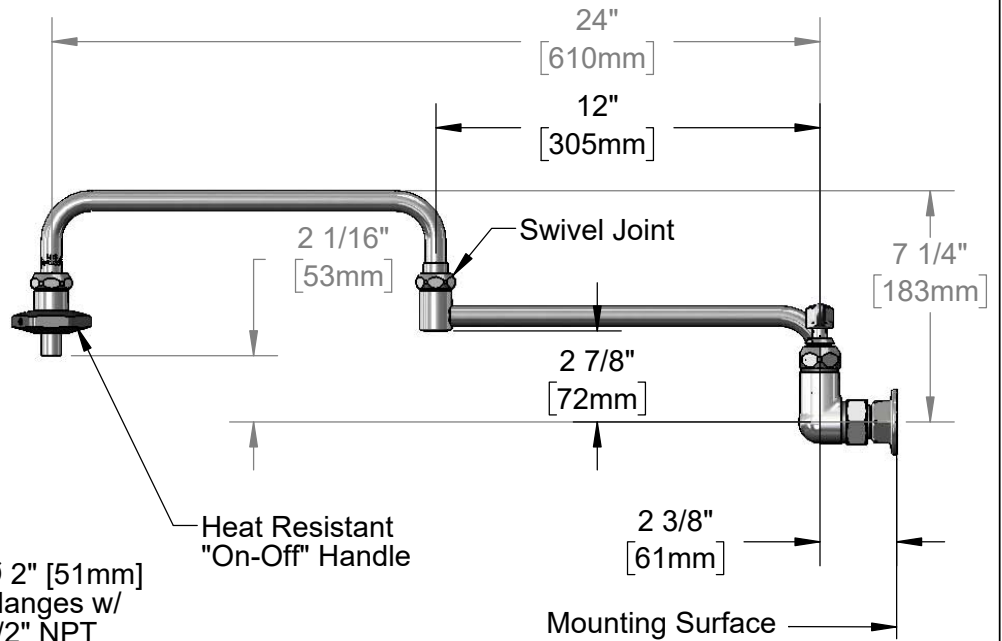
Quarter-Turn Eterna
Cartridges w/ Spring
Checks & Lever Handles
w/ Color Coded Indexes



Swivel
Joint

8"

Adjustable From
7 3/4" to 8 1/4"
[197mm to 210mm]



Ø 2" [51mm]
Flanges w/
1/2" NPT
Female Inlets

Product Specifications:

8" Wall Mount Pot Filler Mixing Faucet, Quarter-Turn Eterna Cartridges w/ Spring Checks, Lever Handles, 24" Double Joint Swing Nozzle, Heat Resistant Handle & 1/2" NPT Female Inlets

Product Compliance:

ASME A112.18.1 / CSA B125.1
NSF 61 - Section 9
NSF 372 (Low Lead Content)



T&S BRASS AND BRONZE WORKS, INC.

2 Saddleback Cove / P.O. Box 1088
Travelers Rest, SC 29690

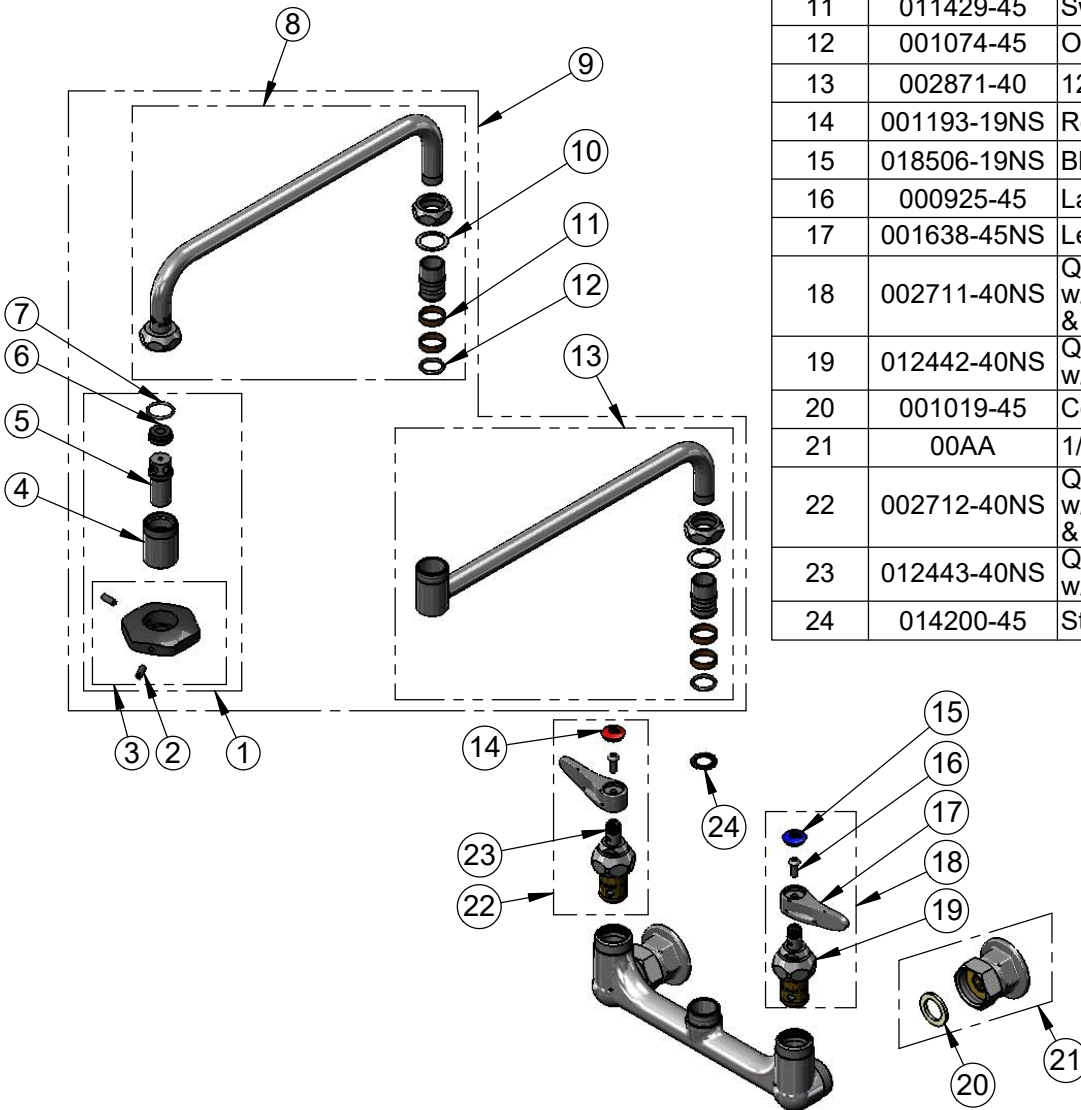
Model No.

B-0598

Item No.

Travelers Rest, SC: 800-476-4103 • Simi Valley, CA: 800-423-0150 • Fax: 864-834-3518 • www.tsbrass.com

ITEM NO.	SALES NO.	DESCRIPTION
1	035A	Outlet
2	000936-45	Handle Set Screw
3	001126-20	Handle w/ (2) Set Screws
4	000587-25	Spout Body
5	001498-25	Spout
6	001089-45	Seal
7	003426-45	O-Ring
8	002869-40	12" Front Section
9	002872-40	24" Double Joint Nozzle
10	009538-45	Swivel Washer
11	011429-45	Swivel Sleeves (2)
12	001074-45	O-Ring
13	002871-40	12" Back Section
14	001193-19NS	Red Button Index, Press-in
15	018506-19NS	Blue Button Index, Press-in
16	000925-45	Lab Handle Screw
17	001638-45NS	Lever Handle (New Style)
18	002711-40NS	Quarter-Turn Eterna Cartridge, LTC w/ Spring Check, Handle, Blue Index & Screw
19	012442-40NS	Quarter-Turn Eterna Cartridge, LTC w/ Spring Check
20	001019-45	Coupling Nut Washer
21	00AA	1/2" NPT Female Eccentric Flange
22	002712-40NS	Quarter-Turn Eterna Cartridge, RTC w/ Spring Check, Handle, Red Index & Screw
23	012443-40NS	Quarter-Turn Eterna Cartridge, RTC w/ Spring Check
24	014200-45	Star Washer, Anti-Rotation



Product Specifications:

8" Wall Mount Pot Filler Mixing Faucet, Quarter-Turn Eterna Cartridges w/ Spring Checks, Lever Handles, 24" Double Joint Swing Nozzle, Heat Resistant Handle & 1/2" NPT Female Inlets

Product Compliance:

ASME A112.18.1 / CSA B125.1
NSF 61 - Section 9
NSF 372 (Low Lead Content)