



T&S BRASS AND BRONZE WORKS, INC.

2 Saddleback Cove / P.O. Box 1088
Travelers Rest, SC 29690

Model No.

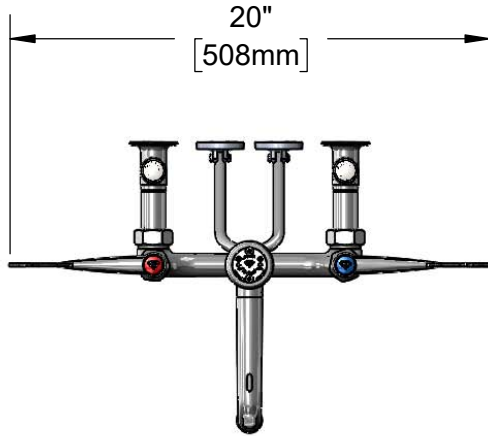
B-0657

Item No.

Travelers Rest, SC: 800-476-4103 • Simi Valley, CA: 800-423-0150 • Fax: 864-834-3518 • www.tsbrass.com



ADA Compliant



This Space for Architect/Engineer Approval

Job Name _____ Date _____

Model Specified _____ Quantity _____

Customer/Wholesaler _____

Contractor _____

Architect/Engineer _____



B-0969
1/2" NPT Vacuum Breaker

Quarter-Turn
Eterna Cartridges w/
Spring Checks &
6" Wrist Action Handles w/
Color Coded Indexes

Garden Hose
Male Outlet

Ø2" [51mm]
Flanges w/
1/2" NPT
Female Inlets

Lower Wall Support
Rod w/ Wall Bracket
& Mounting Screws

00JJ-XT
Integral
Supply Stop

000611-40
Extension

5 3/8"
[137mm]

2 7/16"
[62mm]

8"
[203mm]

9 5/16"
[237mm]

5 1/8"
[130mm]

11 9/16"
[294mm]

Mounting Surface

Product Specifications:

8" Wall Mount Service Sink Faucet, Quarter-Turn Eterna Cartridges w/ Spring Checks, 6" Wrist Action Handles, Lower Support Rod, Garden Hose Male Outlet, Polished Chrome Finish, 1/2" Vacuum Breaker & 1/2" NPT Extended Inlets w/ Integral Stops

Product Compliance:

ASME A112.18.1 / CSA B125.1
NSF 61 - Section 9
NSF 372 (Low Lead Content)
ANSI A117.1 (ADA)
ASSE 1001 (VB)



T&S BRASS AND BRONZE WORKS, INC.

2 Saddleback Cove / P.O. Box 1088
Travelers Rest, SC 29690

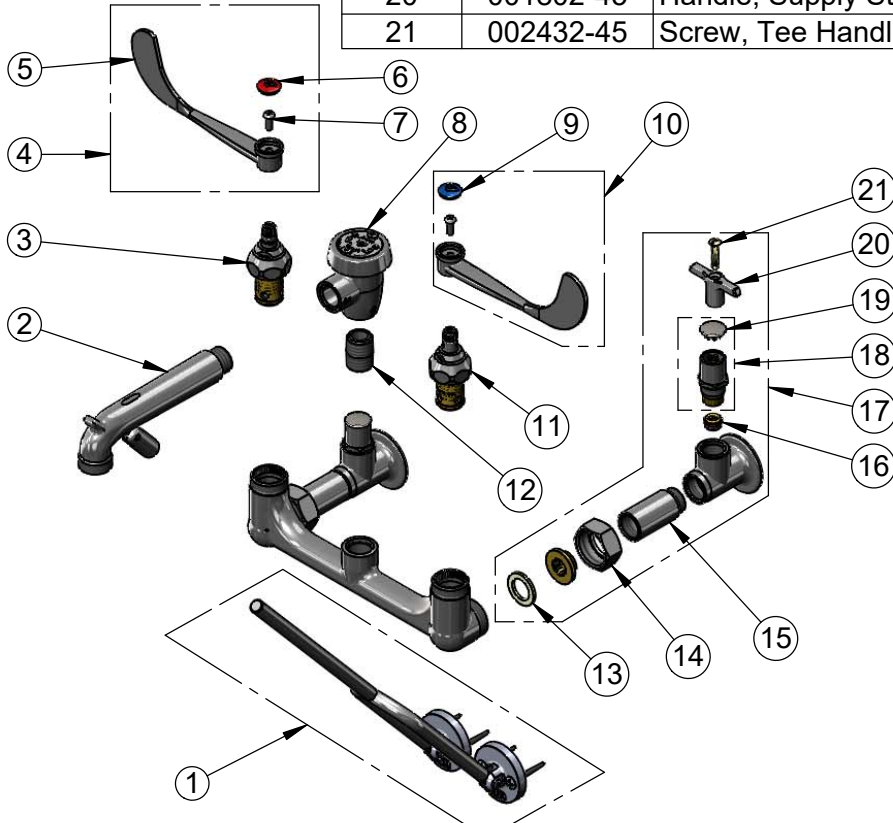
Model No.

B-0657

Item No.

Travelers Rest, SC: 800-476-4103 • Simi Valley, CA: 800-423-0150 • Fax: 864-834-3518 • www.tsbrass.com

| ITEM NO. | SALES NO. | DESCRIPTION |
|----------|-------------|---|
| 1 | 009616-40 | Lower Support Rod w/ Mounting Screws |
| 2 | 016450-40 | Spout, Polished Chrome w/ Bottom Support Clevis |
| 3 | 012443-40NS | Quarter-Turn Eterna Cartridge w/ Spring Check, RTC |
| 4 | B-WH6H-NS | 6" Wrist Action Handle, Red Index & Screw |
| 5 | B-WH6 | 6" Wrist Action Handle |
| 6 | 001193-19NS | Red Button Index, Press-in |
| 7 | 000925-45 | Lab Handle Screw |
| 8 | B-0969 | 1/2" NPT Vacuum Breaker |
| 9 | 018506-19NS | Blue Button Index, Press-in |
| 10 | B-WH6C-NS | 6" Wrist Action Handle, Blue Index & Screw |
| 11 | 012442-40NS | Quarter-Turn Eterna Cartridge w/ Spring Check, LTC |
| 12 | 002534-25 | Close Nipple, 1/2" NPT |
| 13 | 001019-45 | Coupling Nut Washer |
| 14 | 000721-25 | Flange Coupling Nut |
| 15 | 000611-25 | Extension, 1 3/4" Long |
| 16 | 000763-20 | Seat |
| 17 | 00JJ-XT | 1/2" NPT Female Inlet with Loose Key Stop & Extension |
| 18 | 002892-40 | Service Stop Spindle w/ Cap |
| 19 | 001605-45 | Cap |
| 20 | 001802-45 | Handle, Supply Stop Tee |
| 21 | 002432-45 | Screw, Tee Handle |



Product Specifications:

8" Wall Mount Service Sink Faucet, Quarter-Turn Eterna Cartridges w/ Spring Checks, 6" Wrist Action Handles, Lower Support Rod, Garden Hose Male Outlet, Polished Chrome Finish, 1/2" Vacuum Breaker & 1/2" NPT Extended Inlets w/ Integral Stops

Product Compliance:

ASME A112.18.1 / CSA B125.1
NSF 61 - Section 9
NSF 372 (Low Lead Content)
ANSI A117.1 (ADA)
ASSE 1001 (VB)