



T&S BRASS AND BRONZE WORKS, INC.
 2 Saddleback Cove / P.O. Box 1088
 Travelers Rest, SC 29690

Model No.
B-0706

Item No.

Travelers Rest, SC: 800-476-4103 • Simi Valley, CA: 800-423-0150 • Fax: 864-834-3518 • www.tsbrass.com

This Space for Architect/Engineer Approval

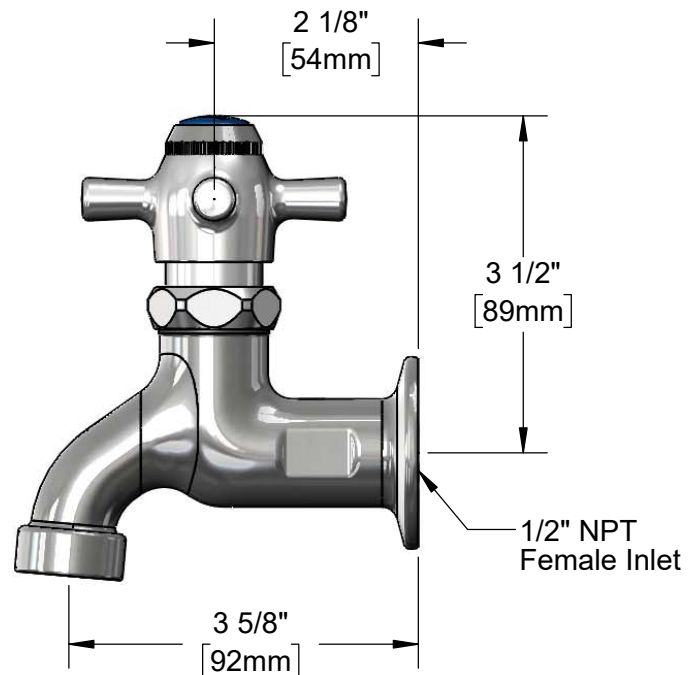
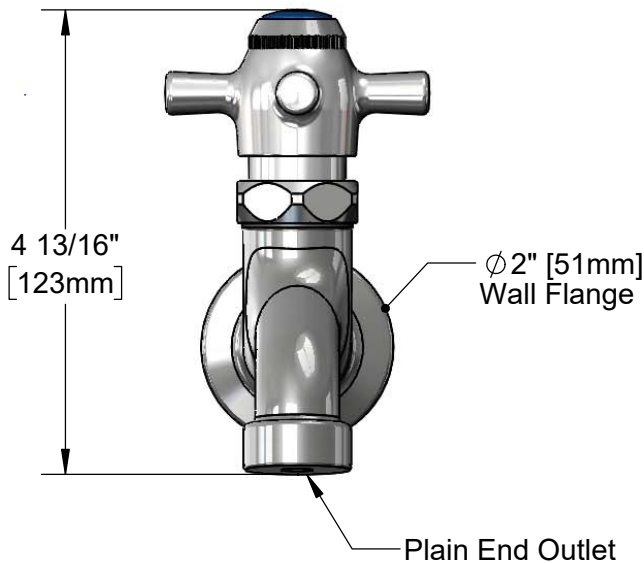
Job Name _____ Date _____

Model Specified _____ Quantity _____

Customer/Wholesaler _____

Contractor _____

Architect/Engineer _____



Product Specifications:
 Fast Self-Closing Hose Bibb Faucet, 4-Arm Handle w/ Blue Color Coded Index,
 Plain End Outlet & 1/2" NPT Female Inlet

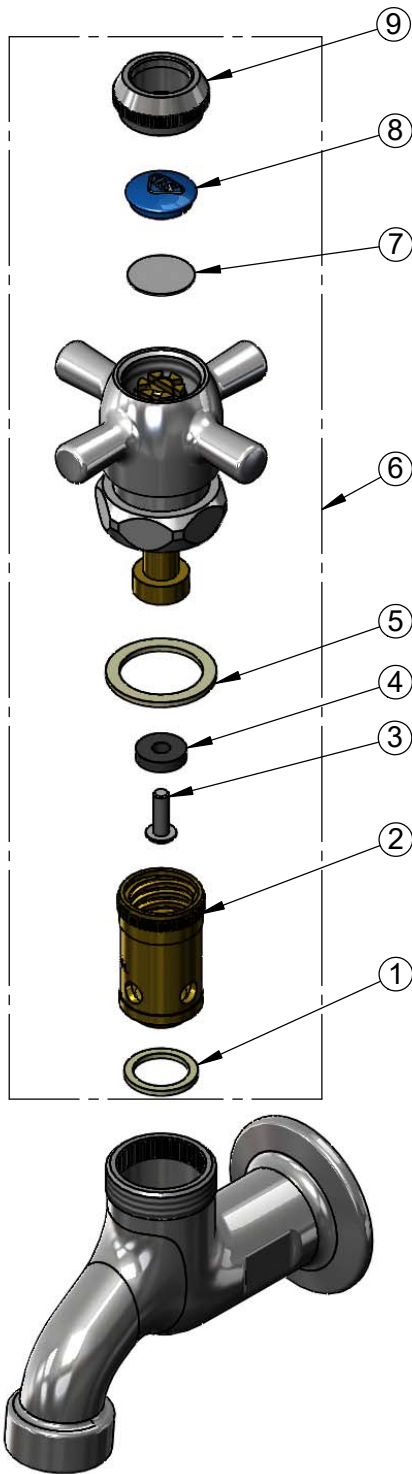
Product Compliance:
 ASME A112.18.1 / CSA B125.1
 NSF 61 - Section 9
 NSF 372 (Low Lead Content)



T&S BRASS AND BRONZE WORKS, INC.
 2 Saddleback Cove / P.O. Box 1088
 Travelers Rest, SC 29690

Model No.
B-0706
 Item No.

Travelers Rest, SC: 800-476-4103 • Simi Valley, CA: 800-423-0150 • Fax: 864-834-3518 • www.tsbrass.com



ITEM NO.	SALES NO.	DESCRIPTION
1	001022-45	Washer
2	000789-20	Removable Insert, LH Thread
3	000933-45	B-1100 Seat Washer Screw
4	001092-45	Seat Washer
5	002601-45	Washer
6	007900-40NS	Fast Self-Closing Cold Cartridge
7	001013-45	Slow Close Handle Disc
8	018506-19NS	Blue Button Index, Press-in
9	000674-40NS	Slow Close Index Ring

Product Specifications:
 Fast Self-Closing Hose Bibb Faucet, 4-Arm Handle w/ Blue Color Coded Index,
 Plain End Outlet & 1/2" NPT Female Inlet

Product Compliance:
 ASME A112.18.1 / CSA B125.1
 NSF 61 - Section 9
 NSF 372 (Low Lead Content)