



# T&S BRASS AND BRONZE WORKS, INC.

2 Saddleback Cove / P.O. Box 1088  
Travelers Rest, SC 29690

Model No.

**B-0807-PA**

Item No.

Travelers Rest, SC: 800-476-4103 • Simi Valley, CA: 800-423-0150 • Fax: 864-834-3518 • www.tsbrass.com



**ADA Compliant**

This Space for Architect/Engineer Approval

Job Name \_\_\_\_\_ Date \_\_\_\_\_

Model Specified \_\_\_\_\_ Quantity \_\_\_\_\_

Customer/Wholesaler \_\_\_\_\_

Contractor \_\_\_\_\_

Architect/Engineer \_\_\_\_\_

1 15/16"  
[50mm]



Pivot Action Metering  
Cartridge w/ Blank Handle  
& Vandal Resistant Screw



2.2 GPM  
Aerator

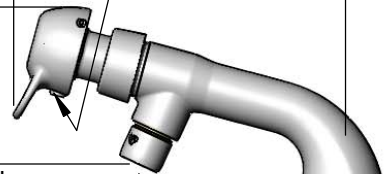
4 7/8"  
[124mm]

1 5/8"  
[41mm]

Mounting Surface

6 15/16"  
[176mm]

Vandal Resistant Screw.  
Loosen Screw (Do Not  
Remove) and Flip Handle  
Up to Access Metering  
Adjustment. (Metering  
Adjustment Requires  
3/32" Hex Key)



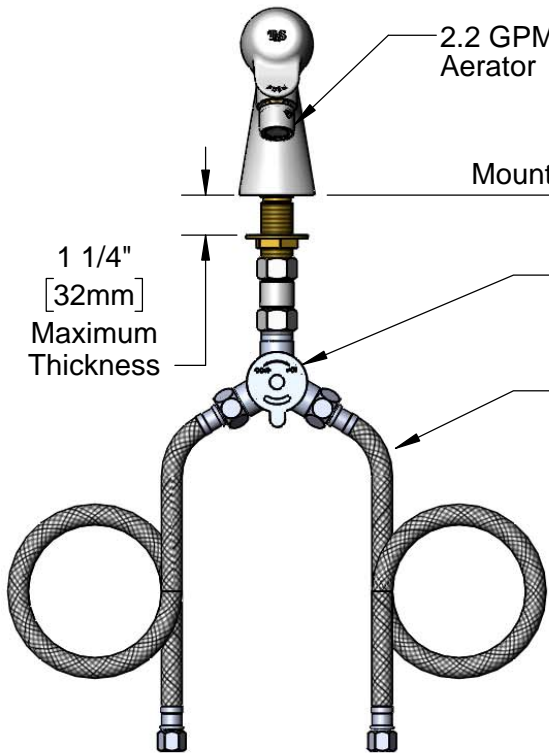
Temperature Mixing Valve  
w/ Integral Check Valves

1 1/4"  
[32mm]  
Maximum  
Thickness

3/8" Compression x 1/2" NPSM  
18" Flexible Stainless Steel  
Supply Hoses

1 15/16"  
[50mm]

4 5/16"  
[109mm]



Rough-In Requirement:  
Ø 1" [25mm] Mounting Hole

### Product Specifications:

Single Hole, Single Temperature Deck Mount Faucet, Pivot Action Metering Cartridge, 2.2 GPM Aerator, Temperature Control Mixing Valve w/ Integral Check Valves & 18" Flexible Stainless Steel Supply Hoses w/ 3/8" Compression Female Inlets

### Product Compliance:

ASME A112.18.1 / CSA B125.1  
NSF 61 - Section 9  
NSF 372 (Low Lead Content)  
ANSI A117.1 (ADA)



# T&S BRASS AND BRONZE WORKS, INC.

2 Saddleback Cove / P.O. Box 1088  
Travelers Rest, SC 29690

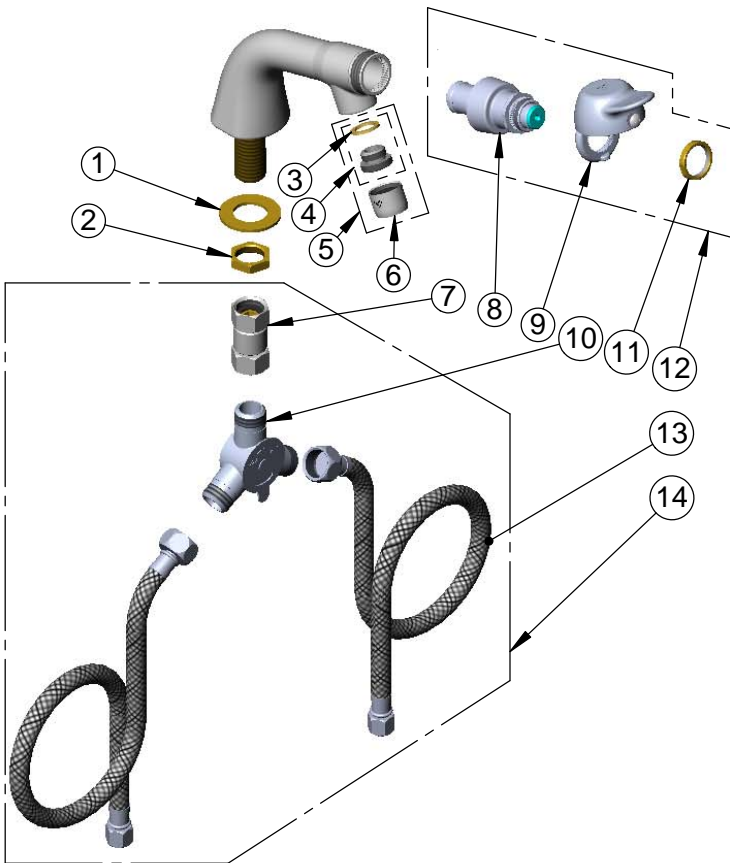
Model No.

**B-0807-PA**

Item No.

Travelers Rest, SC: 800-476-4103 • Simi Valley, CA: 800-423-0150 • Fax: 864-834-3518 • www.tsbrass.com

ITEM NO.	SALES NO.	DESCRIPTION
1	000999-45	Brass Lock Washer
2	002954-45	Shank Lock Nut
3	001043-45	Washer
4	044A	3/8" to Aerator Adapter
5	B-0199-02	2.2 GPM Aerator, 3/8" NPSM Male
6	B-0199-01	2.2 GPM Aerator, 55/64-27 UN Female
7	017506-45	1/2" NPSM Swivel Coupling
8	238A-PA	Pivot Action Metering Cartridge w/ Retaining Nut
9	PA-B	Blank Pivot Action Handle w/ Retaining Nut and Spanner Bit
10	5EF-0006	Mechanical Mixing Valve
11	PA-N	Retaining Nut
12	238AB-PA	Pivot Action Metering Cartridge w/ Blank PA Handle & Spanner Bit
13	5EF-0005	Supply Hose, 9/16-24 Female x 1/2" NPSM
14	019806-40	Temperature Control Mixing Valve w/ Flexible 3/8" Compression Female Inlets



014734-45  
#8 Spanner Bit



016654-45  
Pivot Action Handle  
Vandal Resistant Screw

**Product Specifications:**

Single Hole, Single Temperature Deck Mount Faucet, Pivot Action Metering Cartridge, 2.2 GPM Aerator, Temperature Control Mixing Valve w/ Integral Check Valves & 18" Flexible Stainless Steel Supply Hoses w/ 3/8" Compression Female Inlets

**Product Compliance:**

ASME A112.18.1 / CSA B125.1  
NSF 61 - Section 9  
NSF 372 (Low Lead Content)  
ANSI A117.1 (ADA)