



**T&S BRASS AND BRONZE WORKS, INC.**  
 2 Saddleback Cove / P.O. Box 1088  
 Travelers Rest, SC 29690

Model No.  
**B-0810-RGH**

Item No.

Travelers Rest, SC: 800-476-4103 • Simi Valley, CA: 800-423-0150 • Fax: 864-834-3518 • www.tsbrass.com



**ADA Compliant**

This Space for Architect/Engineer Approval

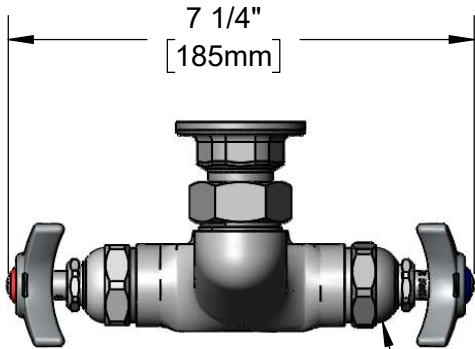
Job Name \_\_\_\_\_ Date \_\_\_\_\_

Model Specified \_\_\_\_\_ Quantity \_\_\_\_\_

Customer/Wholesaler \_\_\_\_\_

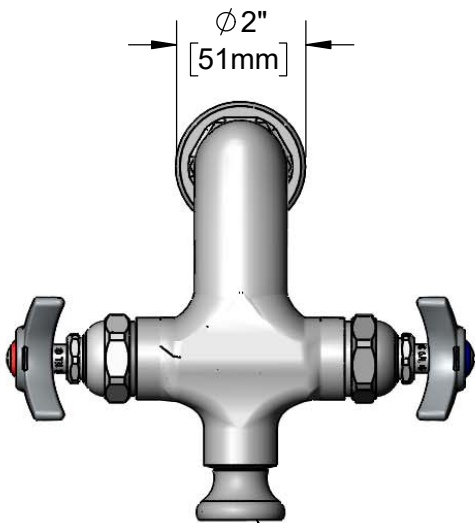
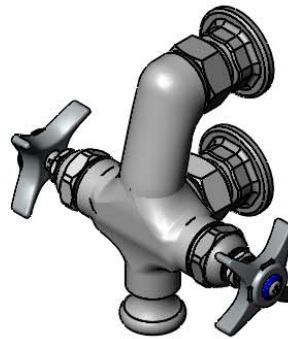
Contractor \_\_\_\_\_

Architect/Engineer \_\_\_\_\_



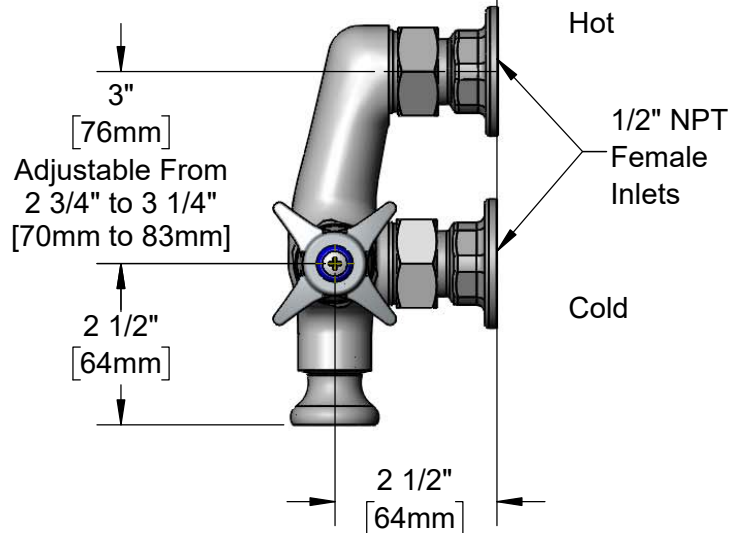
7 1/4"  
[185mm]

Eterna Cartridge w/  
4-Arm Handles and  
Color Coded Indexes



Ø2"  
[51mm]

2.2 GPM  
Rosespray Outlet



Mounting  
Surface

Hot

1/2" NPT  
Female  
Inlets

Cold

Product Specifications:  
 Wall Mount Vertical Mixing Faucet w/ Eterna Cartridges, 2.2 GPM  
 Rosespray Outlet, 4-Arm Handles and 1/2" NPT Female Inlets

Product Compliance:  
 ASME A112.18.1 / CSA B125.1  
 NSF 61 - Section 9  
 NSF 372 (Low Lead Content)  
 ANSI A117.1 (ADA)



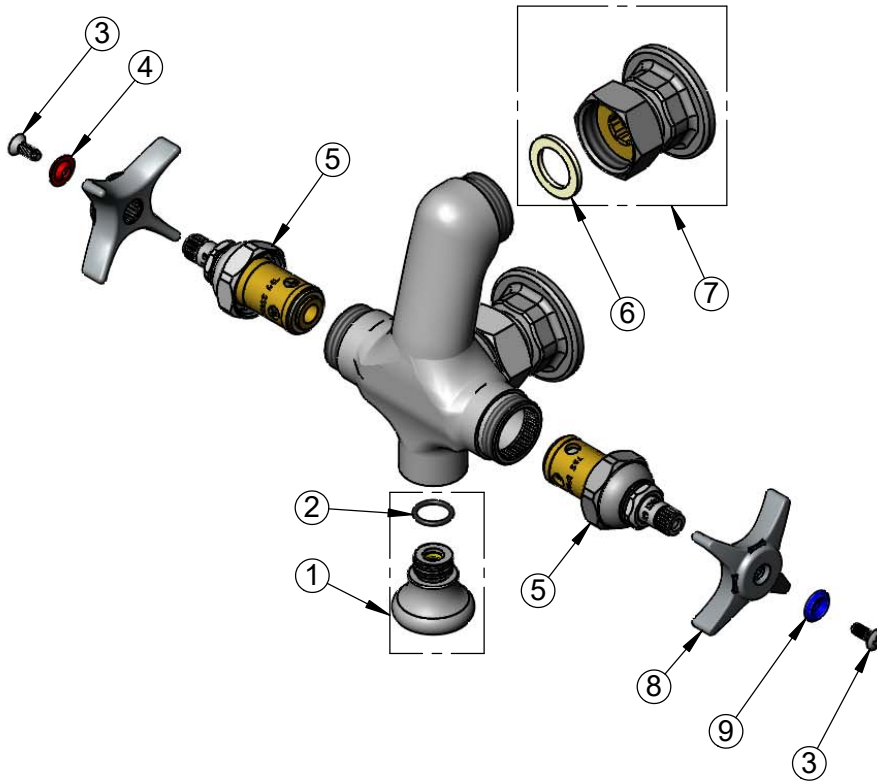
**T&S BRASS AND BRONZE WORKS, INC.**  
 2 Saddleback Cove / P.O. Box 1088  
 Travelers Rest, SC 29690

Model No.  
**B-0810-RGH**

Item No.

Travelers Rest, SC: 800-476-4103 • Simi Valley, CA: 800-423-0150 • Fax: 864-834-3518 • www.tsbrass.com

ITEM NO.	SALES NO.	DESCRIPTION
1	B-0103	2.2 GPM Rosespray Outlet
2	006575-45	-015 O-Ring
3	000922-45	Lever Handle Screw
4	001661-45	Red Index-HW
5	005960-40	Eterna Cartridge, RTC
6	001019-45	Coupling Nut Washer
7	00AA	1/2" Female Eccentric Flange
8	002521-45	4-Arm Handle
9	001660-45	Blue Index-CW



Product Specifications:  
 Wall Mount Vertical Mixing Faucet w/ Eterna Cartridges, 2.2 GPM  
 Rosespray Outlet, 4-Arm Handles and 1/2" NPT Female Inlets

Product Compliance:  
 ASME A112.18.1 / CSA B125.1  
 NSF 61 - Section 9  
 NSF 372 (Low Lead Content)  
 ANSI A117.1 (ADA)