



# T&S BRASS AND BRONZE WORKS, INC.

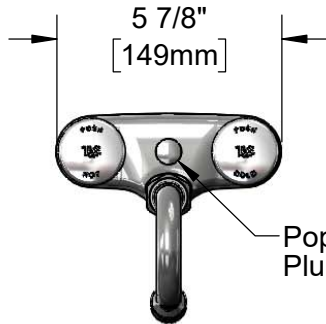
2 Saddleback Cove / P.O. Box 1088  
Travelers Rest, SC 29690

Model No.

**B-0833**

Item No.

Travelers Rest, SC: 800-476-4103 • Simi Valley, CA: 800-423-0150 • Fax: 864-834-3518 • www.tsbrass.com



Pop-Up Drain Plunger



**ADA Compliant**

This Space for Architect/Engineer Approval

Job Name \_\_\_\_\_ Date \_\_\_\_\_

Model Specified \_\_\_\_\_ Quantity \_\_\_\_\_

Customer/Wholesaler \_\_\_\_\_

Contractor \_\_\_\_\_

Architect/Engineer \_\_\_\_\_

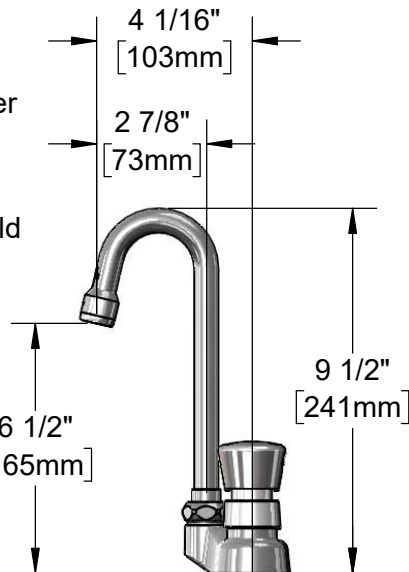


Furnished w/ 014734-45 Spanner Bit to Access Metering Adjustment (Metering Adjustment Requires 3/32" Hex Key)

2 7/8" Swivel Gooseneck w/ B-0199-01 2.2 GPM Aerator. Converts to Rigid w/ 014200-45 Lock Washer (Included)

Push Button Metering Cartridges w/ Hot & Cold Push Button Caps

1/2" NPSM Male Inlets w/ Coupling Nuts



13/16" [21mm] Maximum Thickness

1 1/4" [32mm] Maximum Thickness

Ø 1 1/4" Tailpiece [32mm]

**Rough-in Requirement:**

Faucet: (3) Ø 1-1/8" [29mm] Mounting Holes

Pop-Up Drain: Fits Sinks w/ Ø 1 7/16" to Ø 1 3/4" [Ø 37mm to Ø 44mm] Drain Hole

**Product Specifications:**

4" Centerset Mixing Faucet w/ Push Button Metering Cartridges, 2 7/8" Swivel Gooseneck, 2.2 GPM Aerator, Pop-Up Drain & 1/2" NPSM Male Inlets

**Product Compliance:**

ASME A112.18.1 / CSA B125.1  
NSF 61 - Section 9  
NSF 372 (Low Lead Content)  
ANSI A117.1 (ADA)



# T&S BRASS AND BRONZE WORKS, INC.

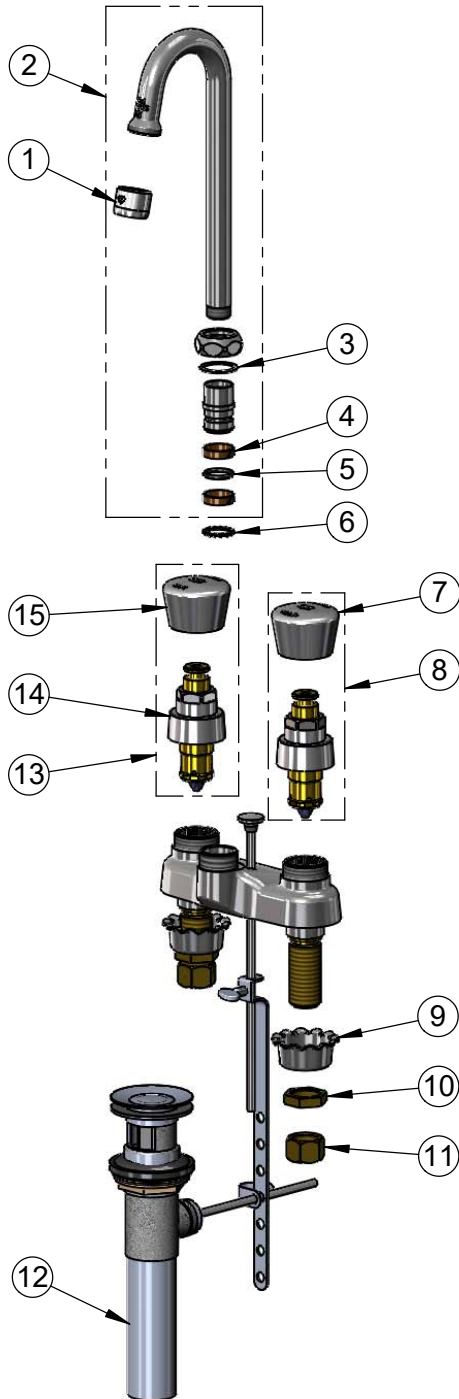
2 Saddleback Cove / P.O. Box 1088  
Travelers Rest, SC 29690

Model No.

**B-0833**

Item No.

Travelers Rest, SC: 800-476-4103 • Simi Valley, CA: 800-423-0150 • Fax: 864-834-3518 • www.tsbrass.com



ITEM NO.	SALES NO.	DESCRIPTION
1	B-0199-01	2.2 GPM Aerator, 55/64-27 UN Female
2	132X-A22	2 7/8" Swivel Gooseneck w/ 2.2 GPM Aerator
3	009538-45	Swivel Washer
4	011429-45	Swivel Sleeves (2)
5	001074-45	O-Ring
6	014200-45	Star Washer, Anti-Rotation
7	014195-40	Cold Cap Assembly
8	238AC	Metering Cartridge w/ Cold Push Button Cap & Spanner Bit
9	001000-45	Rosette Washer
10	002954-45	Shank Lock Nut
11	000958-20	Coupling Nut
12	B-0898	Pop-up Drain
13	238AH	Metering Cartridge w/ Hot Push Button Cap & Spanner Bit
14	238A	Push Button Metering Cartridge
15	014194-40	Hot Cap Assembly
16	014734-45	Spanner Bit

**Product Specifications:**

4" Centerset Mixing Faucet w/ Push Button Metering Cartridges, 2 7/8" Swivel Gooseneck, 2.2 GPM Aerator, Pop-Up Drain & 1/2" NPSM Male Inlets

**Product Compliance:**

ASME A112.18.1 / CSA B125.1  
NSF 61 - Section 9  
NSF 372 (Low Lead Content)  
ANSI A117.1 (ADA)