



T&S BRASS AND BRONZE WORKS, INC.

2 Saddleback Cove / P.O. Box 1088
Travelers Rest, SC 29690

Model No.

B-0842

Item No.

Travelers Rest, SC: 800-476-4103 • Simi Valley, CA: 800-423-0150 • Fax: 864-834-3518 • www.tsbrass.com



ADA Compliant

This Space for Architect/Engineer Approval

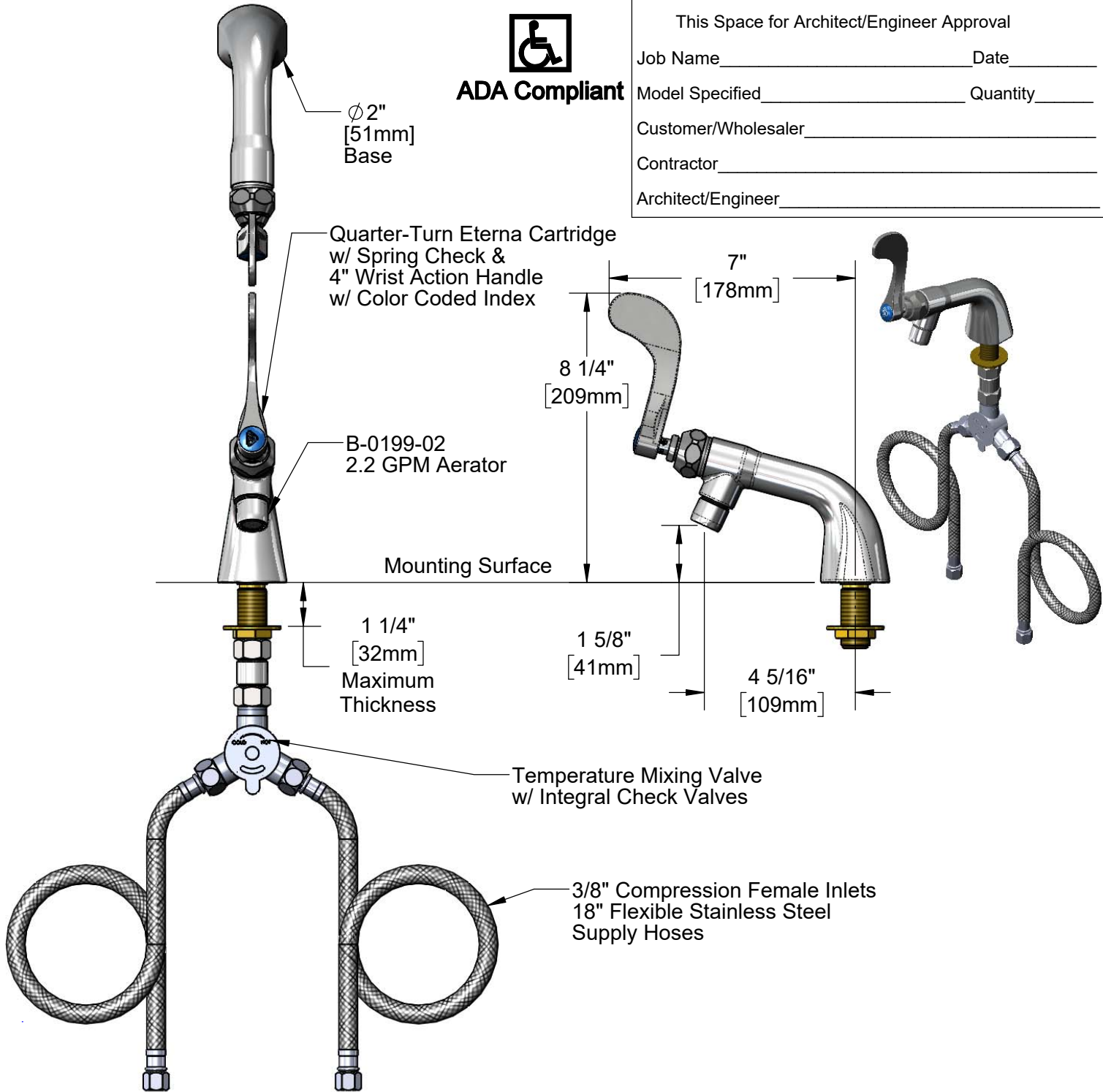
Job Name _____ Date _____

Model Specified _____ Quantity _____

Customer/Wholesaler _____

Contractor _____

Architect/Engineer _____



Rough-In Requirement:
 $\phi 1"$ [25mm] Mounting Hole

Product Specifications:
Single Temperature Deck Mount Faucet, Quarter-Turn Eterna Cartridge w/ Spring Check, 4" Wrist Action Handle, 2.2 GPM Aerator, Temperature Control Mixing Valve w/ Integral Check Valves & 18" Flexible Stainless Steel Supply Hoses w/ 3/8" Compression Female Inlets

Product Compliance:
ASME A112.18.1 / CSA B125.1
NSF 61 - Section 9
NSF 372 (Low Lead Content)
ANSI A117.1 (ADA)



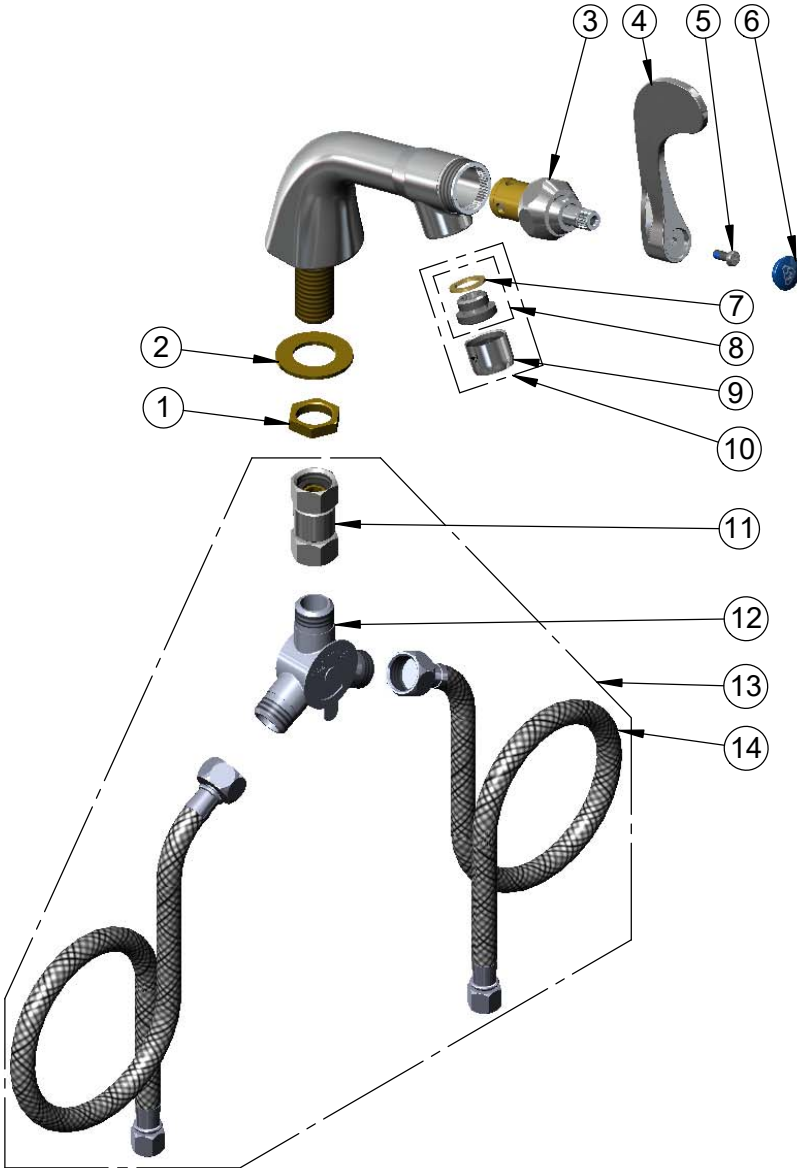
T&S BRASS AND BRONZE WORKS, INC.
 2 Saddleback Cove / P.O. Box 1088
 Travelers Rest, SC 29690

Model No.
B-0842

Item No.

Travelers Rest, SC: 800-476-4103 • Simi Valley, CA: 800-423-0150 • Fax: 864-834-3518 • www.tsbrass.com

ITEM NO.	SALES NO.	DESCRIPTION
1	002954-45	Shank Lock Nut
2	000999-45	Brass Lock Washer
3	012443-40NS	Removable Insert, RH Thread
4	B-WH4-NS	Wrist Action Handle - New Style
5	000925-45	Lab Handle Screw
6	018506-19NS	Blue Button Index, Press-in
7	001043-45	Washer
8	044A	3/8" to Aerator Adapter
9	B-0199-01	2.2 GPM Aerator, 55/64-27 UN Female
10	B-0199-02	Aerator, 2.2 GPM, 3/8" NPSM
11	017506-45	1/2" NPSM Swivel Coupling
12	5EF-0006	Mechanical Mixing Valve
13	019806-40	Temperature Control Mixing Valve w/ Flexible 3/8" Compression Female Inlets
14	5EF-0005	Supply Hose, 9/16-24 Female x 1/2" NPSM



Product Specifications:

Single Temperature Deck Mount Faucet, Quarter-Turn Eterna Cartridge w/ Spring Check, 4" Wrist Action Handle, 2.2 GPM Aerator, Temperature Control Mixing Valve w/ Integral Check Valves & 18" Flexible Stainless Steel Supply Hoses w/ 3/8" Compression Female Inlets

Product Compliance:

ASME A112.18.1 / CSA B125.1
 NSF 61 - Section 9
 NSF 372 (Low Lead Content)
 ANSI A117.1 (ADA)