



T&S BRASS AND BRONZE WORKS, INC.
 2 Saddleback Cove / P.O. Box 1088
 Travelers Rest, SC 29690

Model No.
B-0962

Item No.

Travelers Rest, SC: 800-476-4103 • Simi Valley, CA: 800-423-0150 • Fax: 864-834-3518 • www.tsbrass.com

This Space for Architect/Engineer Approval

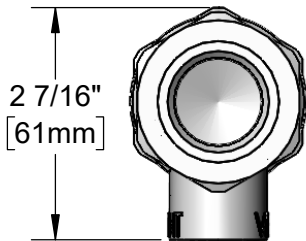
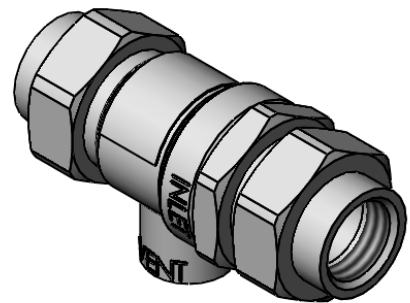
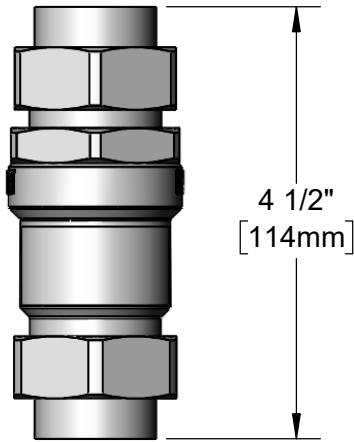
Job Name _____ Date _____

Model Specified _____ Quantity _____

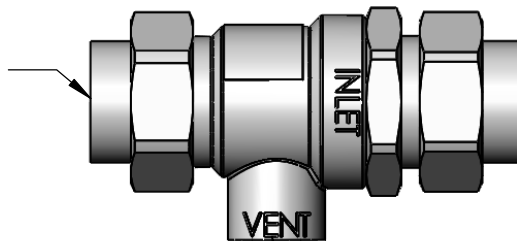
Customer/Wholesaler _____

Contractor _____

Architect/Engineer _____



3/4" NPT
 Female Threads



3/4" NPT
 Female Threads

1/2" NPT
 Female Threads
 For Vent



3/4" NPT Nipples
 (Included)

Product Specifications:
 Continuous Pressure Type Backflow Preventer with Atmospheric Vent, 3/4"
 NPT Inlet and Outlet
 (Non-Potable Water Applications)

Product Compliance:
 ASSE 1012
 NSF 61 Exempt (Non-Potable)