



T&S BRASS AND BRONZE WORKS, INC.
 2 Saddleback Cove / P.O. Box 1088
 Travelers Rest, SC 29690

Model No.
B-0970-FEZ

Item No.

Travelers Rest, SC: 800-476-4103 • Simi Valley, CA: 800-423-0150 • Fax: 864-834-3518 • www.tsbrass.com

This Space for Architect/Engineer Approval

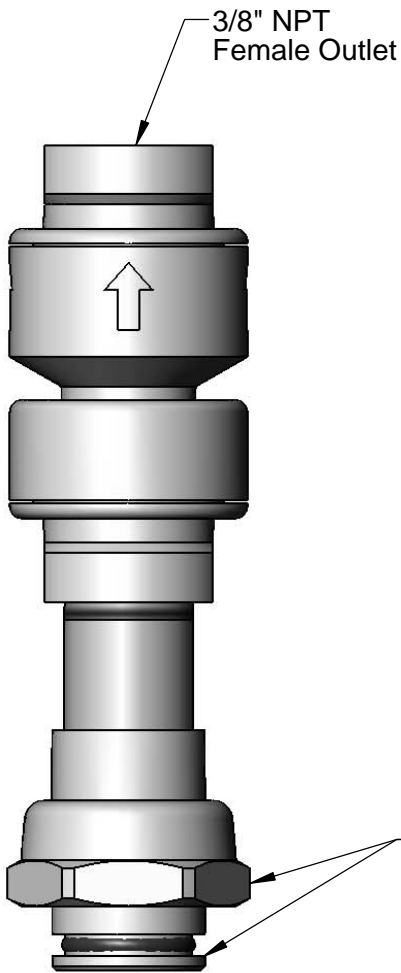
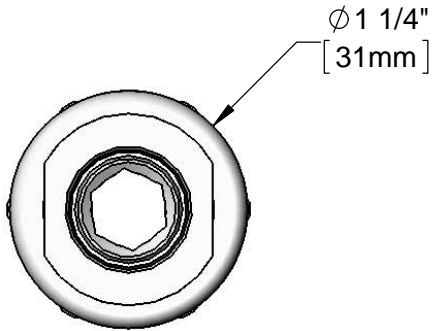
Job Name _____ Date _____

Model Specified _____ Quantity _____

Customer/Wholesaler _____

Contractor _____

Architect/Engineer _____

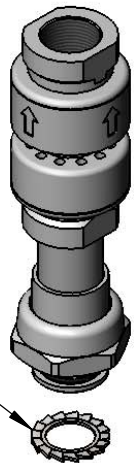


B-0970-FE
 Continuous Pressure
 Dual Check
 Vacuum Breaker

3/8" NPT x 2" Riser

EasyInstall
 Bushing & Nut
 Fits Standard
 T&S Swivel Base
 Faucets

Rigid Conversion
 Requires 014200-45
 Lock Washer
 (Included)



4 5/16"
[109mm]

Product Specifications:
 3/8" Continuous Pressure Dual Check Vacuum Breaker Fitted w/
 EasyInstall Mechanism

Product Compliance:
 ASME A112.18.1 / CSA B125.1
 NSF 61 - Section 9
 NSF 372 (Low Lead Content)
 CSA B64.8 (VB)

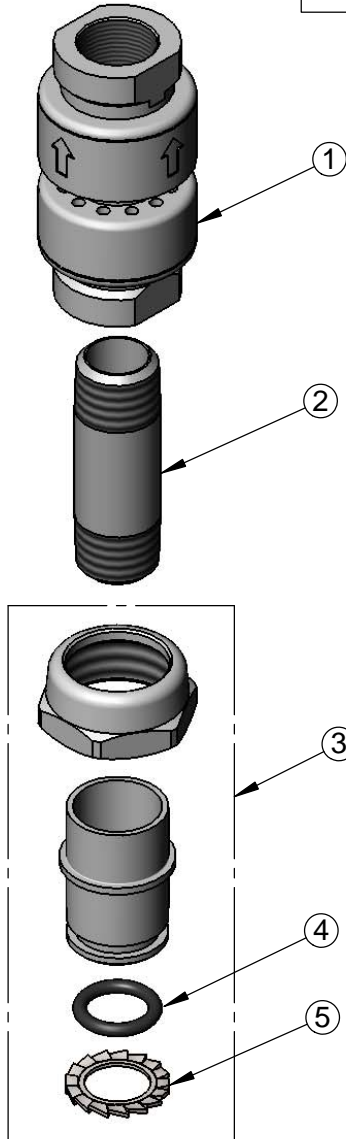


T&S BRASS AND BRONZE WORKS, INC.
 2 Saddleback Cove / P.O. Box 1088
 Travelers Rest, SC 29690

Model No.
B-0970-FEZ
 Item No.

Travelers Rest, SC: 800-476-4103 • Simi Valley, CA: 800-423-0150 • Fax: 864-834-3518 • www.tsbrass.com

ITEM NO.	SALES NO.	DESCRIPTION
1	B-0970-FE	3/8" NPT Vacuum Breaker
2	000357-40	Nipple, 3/8" NPT x 2"
3	EZ-K	EasyInstall Kit: Nut, Bushing, O-ring & Lock Washer
4	001065-45	O-Ring
5	014200-45	Star Washer, Anti-Rotation



Product Specifications:
 3/8" Continuous Pressure Dual Check Vacuum Breaker Fitted
 w/ EasyInstall Mechanism

Product Compliance:
 ASME A112.18.1 / CSA B125.1
 NSF 61 - Section 9
 NSF 372 (Low Lead Content)
 CSA B64.8 (VB)