



T&S BRASS AND BRONZE WORKS, INC.

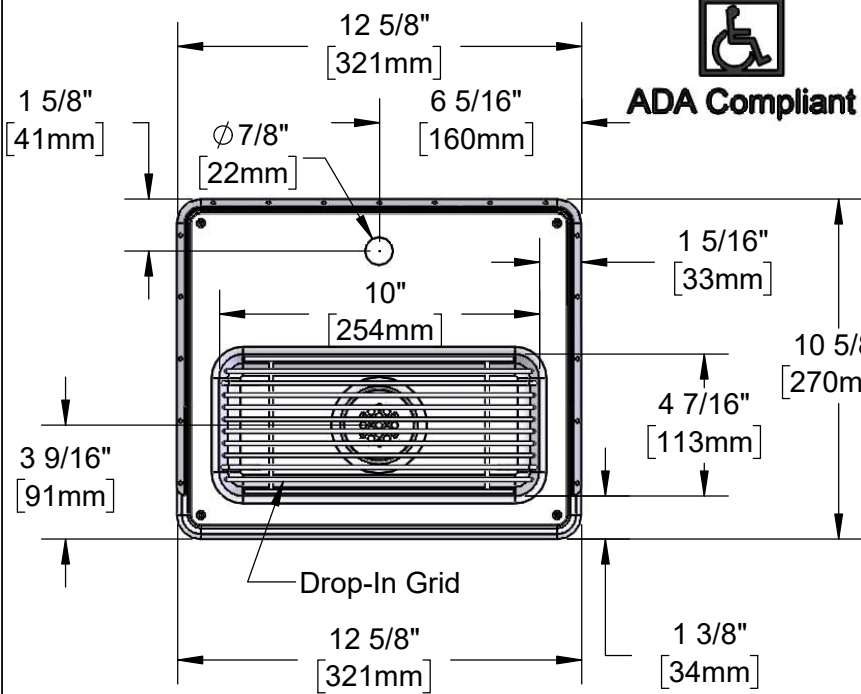
2 Saddleback Cove / P.O. Box 1088
Travelers Rest, SC 29690

Model No.

B-1235

Item No.

Travelers Rest, SC: 800-476-4103 • Simi Valley, CA: 800-423-0150 • Fax: 864-834-3518 • www.tsbrass.com



This Space for Architect/Engineer Approval

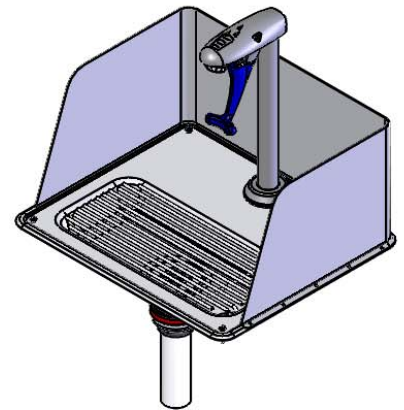
Job Name _____ Date _____

Model Specified _____ Quantity _____

Customer/Wholesaler _____

Contractor _____

Architect/Engineer _____



Splashguard Frame Around Back & Sides of Pan

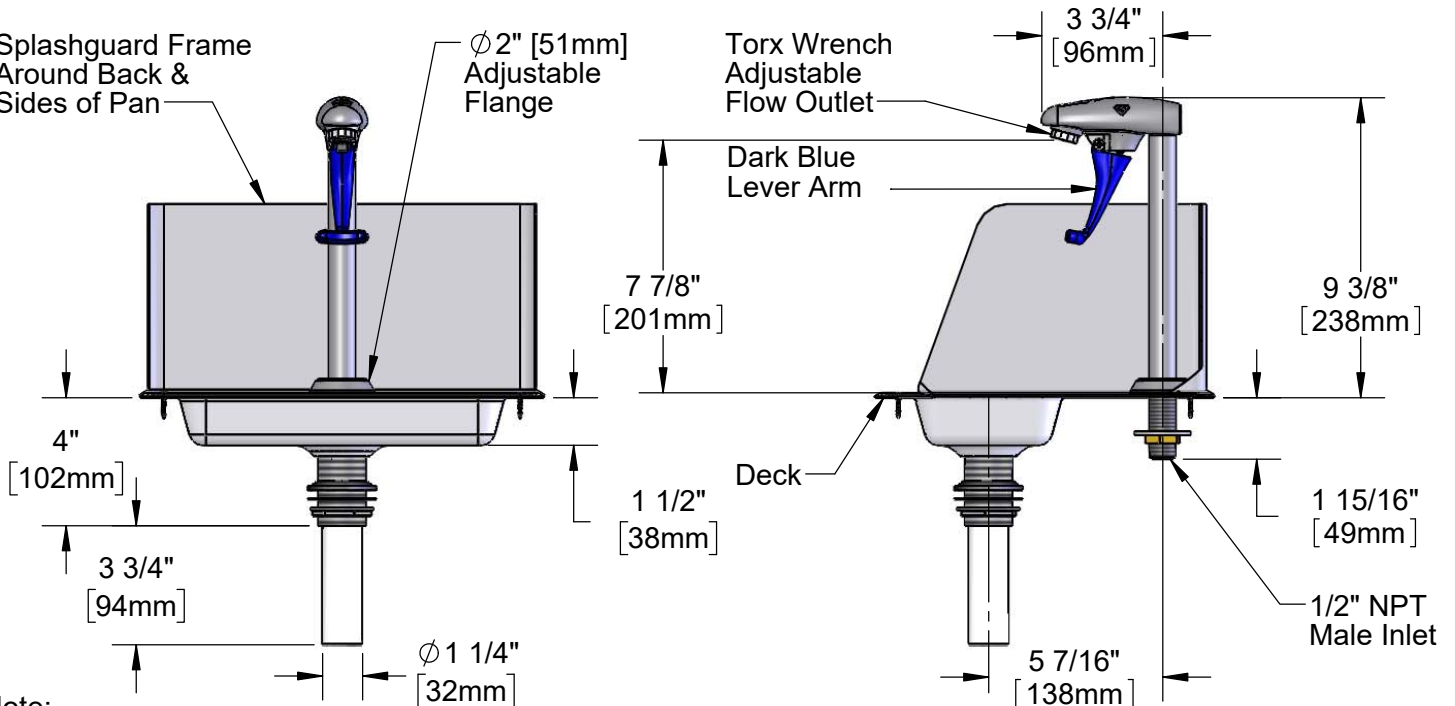
ϕ 2" [51mm] Adjustable Flange

Torx Wrench Adjustable Flow Outlet

Dark Blue Lever Arm

Deck

1 15/16" [49mm]
1/2" NPT Male Inlet



Note:

1. 18 Gauge Stainless Steel Pan w/ Beaded Edge
Supplied w/ Mastic & Stainless Steel Screws for Mounting.
2. Suggested Cut Out Size for Pan is 10 1/2" x 5". Customer to Verify Actual Cut Out Needed Prior to Installation.

Product Specifications:

Water Station w/ Pedestal Type Glass Filler, 18 Gauge Stainless Steel Drip Pan with Splashguard & 1 1/4" Drain

Product Compliance:

ASME A112.18.1 / CSA B125.1
NSF 61 - Section 9
NSF 372 (Low Lead Content)
ANSI A117.1 (ADA)

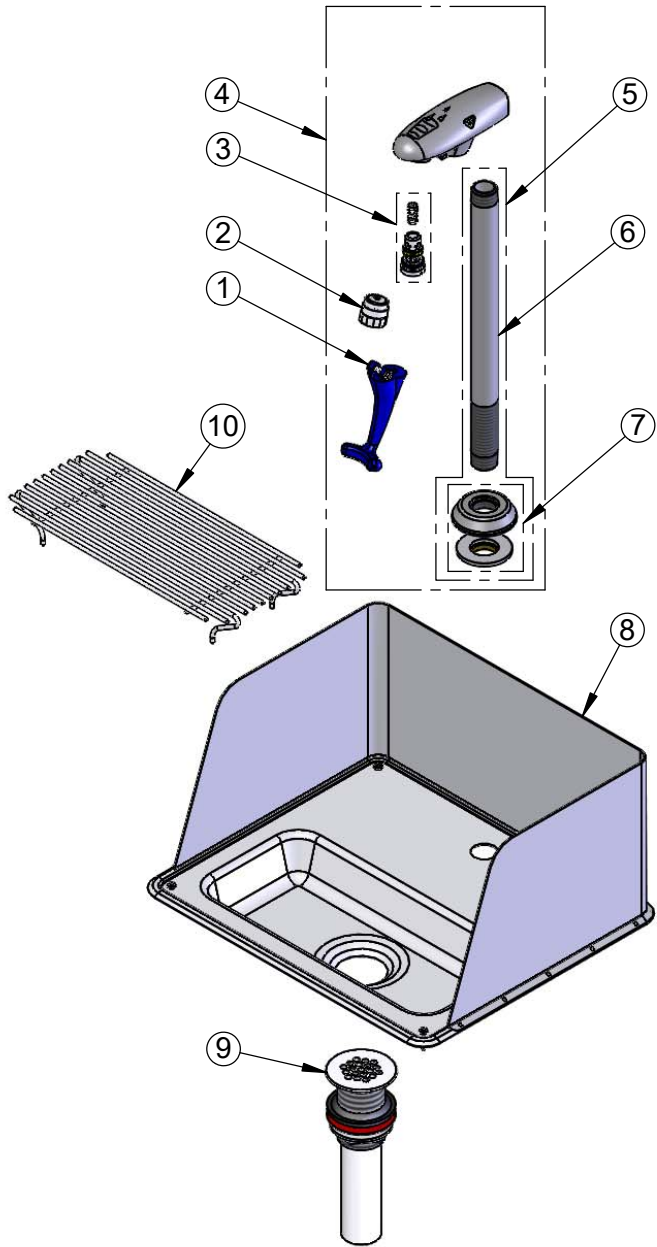


T&S BRASS AND BRONZE WORKS, INC.
 2 Saddleback Cove / P.O. Box 1088
 Travelers Rest, SC 29690

Model No.
B-1235
 Item No.

Travelers Rest, SC: 800-476-4103 • Simi Valley, CA: 800-423-0150 • Fax: 864-834-3518 • www.tsbrass.com

ITEM NO.	SALES NO.	DESCRIPTION
1	015550-45	Lever Arm Repair Kit
2	015588-40	Adjustable Outlet w/ Torx Wrench
3	015589-40	Valve
4	B-1210	8" Pedestal Glass Filler
5	015887-40	Pedestal
6	015886-40	B-1210 Pedestal
7	016783-40	Adjustable Deck Flange Repair Kit
8	010124-45	Drip Pan
9	010126-45	Drip Pan Drain
10	183F	Drip Pan Grid



016640-45
 T-45 Torx
 Wrench

Product Specifications:
 Water Station w/ Pedestal Type Glass Filler, 18 Gauge Stainless Steel
 Drip Pan with Splashguard & 1 1/4" Drain

Product Compliance:
 ASME A112.18.1 / CSA B125.1
 NSF 61 - Section 9
 NSF 372 (Low Lead Content)
 ANSI A117.1 (ADA)