



T&S BRASS AND BRONZE WORKS, INC.

2 Saddleback Cove / P.O. Box 1088
Travelers Rest, SC 29690

Model No.

B-3942-01

Item No.

Travelers Rest, SC: 800-476-4103 • Simi Valley, CA: 800-423-0150 • Fax: 864-834-3518 • www.tsbrass.com

This Space for Architect/Engineer Approval

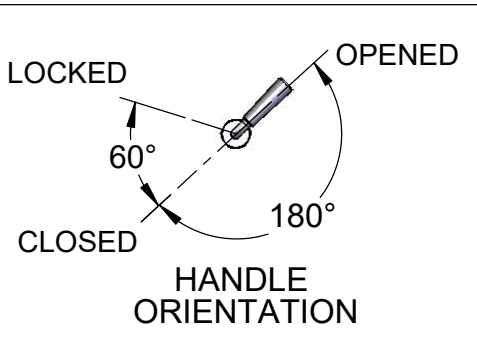
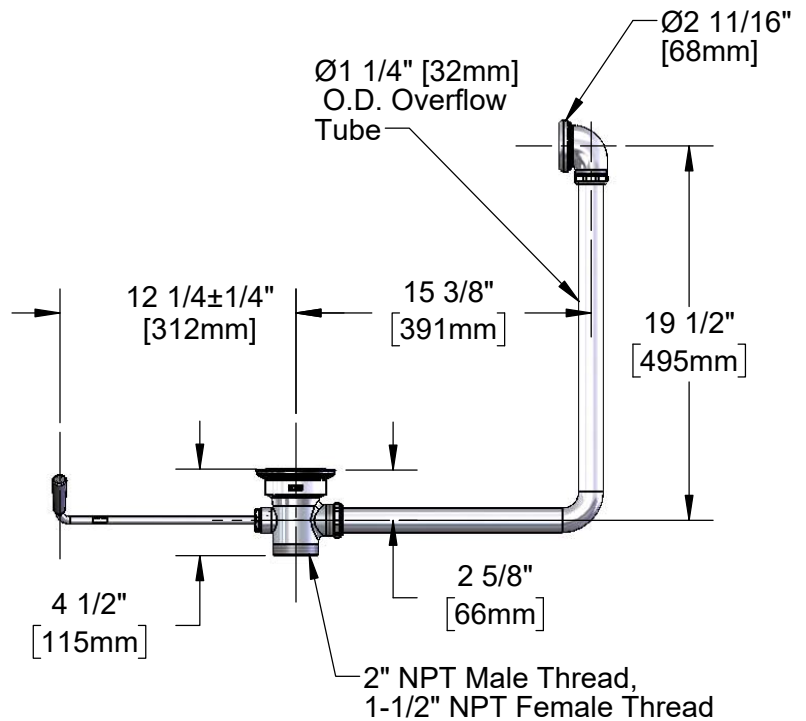
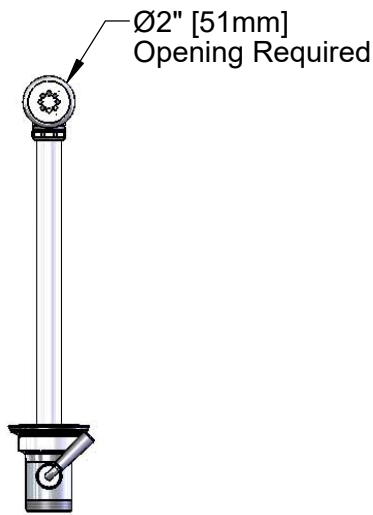
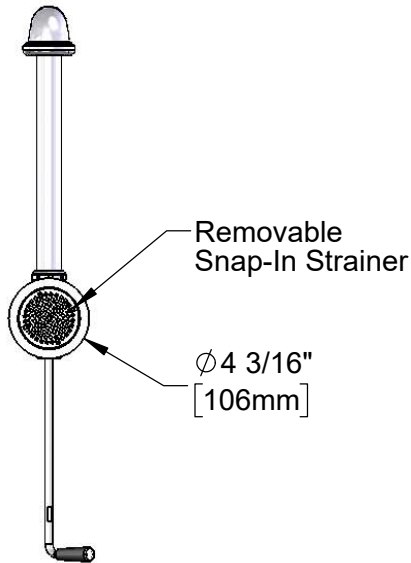
Job Name _____ Date _____

Model Specified _____ Quantity _____

Customer/Wholesaler _____

Contractor _____

Architect/Engineer _____



Product Specifications:
Rotary Waste Valve w/ Twist Handle, 3" Sink Opening,
2" NPT Male / 1-1/2" NPT Female Thread Outlet & Overflow
Tube w/ Head Asm.

Product Compliance:
ASME A112.18.2 / CSA B125.2



T&S BRASS AND BRONZE WORKS, INC.

2 Saddleback Cove / P.O. Box 1088
Travelers Rest, SC 29690

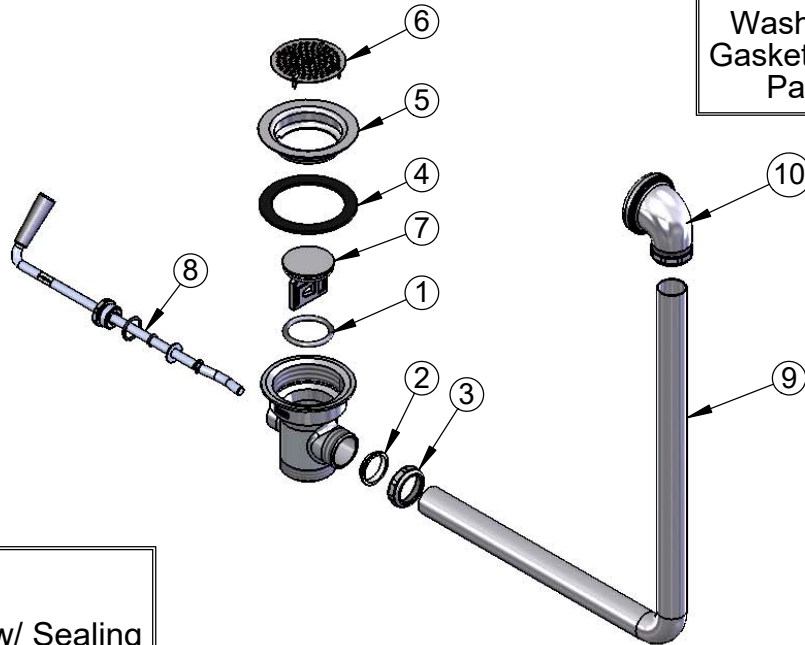
Model No.

B-3942-01

Item No.

Travelers Rest, SC: 800-476-4103 • Simi Valley, CA: 800-423-0150 • Fax: 864-834-3518 • www.tsbrass.com

ITEM NO.	SALES NO.	DESCRIPTION
1	010389-45	O-Ring, Plunger
2	010390-45	Ferrule, Coupling Nut
3	010391-45	Nut, Coupling for Twist Drain
4	010381-45	Gasket, 3" Face Flange
5	015306-45	Flange, 3" Face
6	010385-45	Strainer, 3" Snap-in
7	010388-45	Plunger, Lever and Twist Drain
8	010393-45	Handle Asm, Rotary Waste Valve Twist
9	011355-45	Tube, Overflow Elbow
10	011356-45	Head Asm, Overflow Tube



Also Furnished w/ Sealing Cap When Overflow Tube Coupling Nut is Not Used.
P/N# 012640-45

Product Specifications:
Rotary Waste Valve w/ Twist Handle, 3" Sink Opening, 2" NPT Male / 1-1/2" NPT Female Thread Outlet & Overflow Tube w/ Head Asm.

Product Compliance:
ASME A112.18.2 / CSA B125.2