



T&S BRASS AND BRONZE WORKS, INC.
 2 Saddleback Cove / P.O. Box 1088
 Travelers Rest, SC 29690

Model No.

B-3972

Item No.

Travelers Rest, SC: 800-476-4103 • Simi Valley, CA: 800-423-0150 • Fax: 864-834-3518 • www.tsbrass.com

This Space for Architect/Engineer Approval

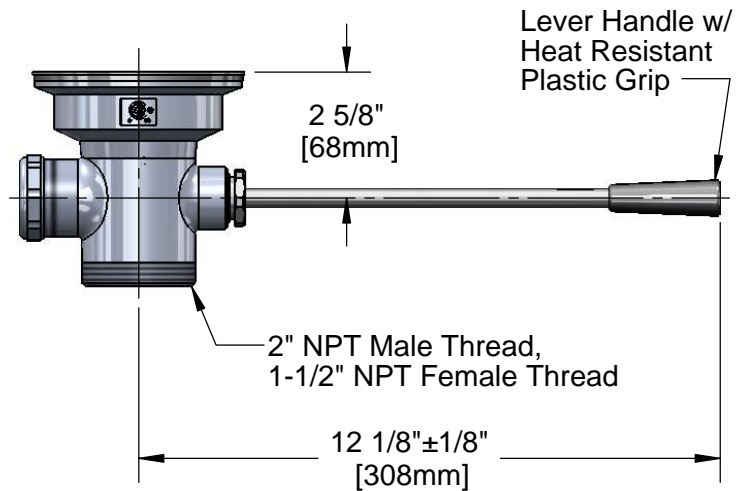
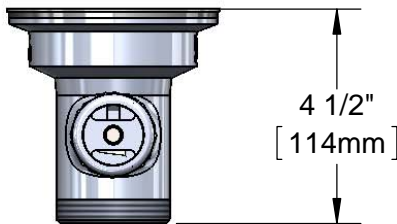
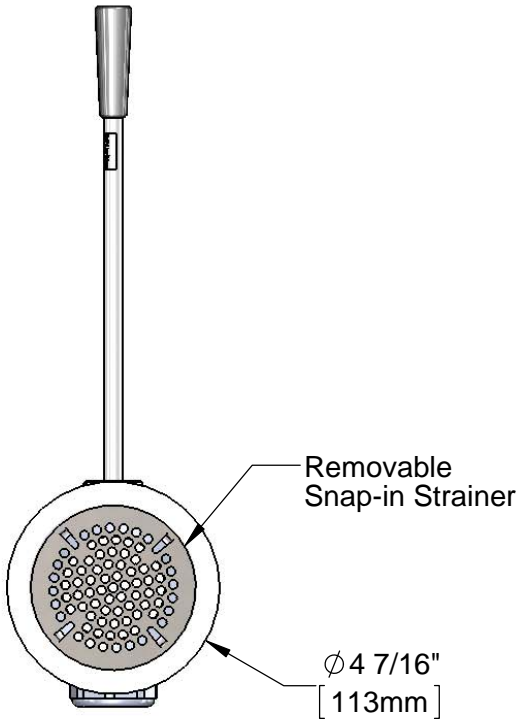
Job Name _____ Date _____

Model Specified _____ Quantity _____

Customer/Wholesaler _____

Contractor _____

Architect/Engineer _____



Product Specifications:
 Waste Drain Valve w/ Lever Handle, 3 1/2" Sink Opening, 2" NPT Male /
 1-1/2" NPT Female Outlet

Product Compliance:
 ASME A112.18.2 / CSA B125.2



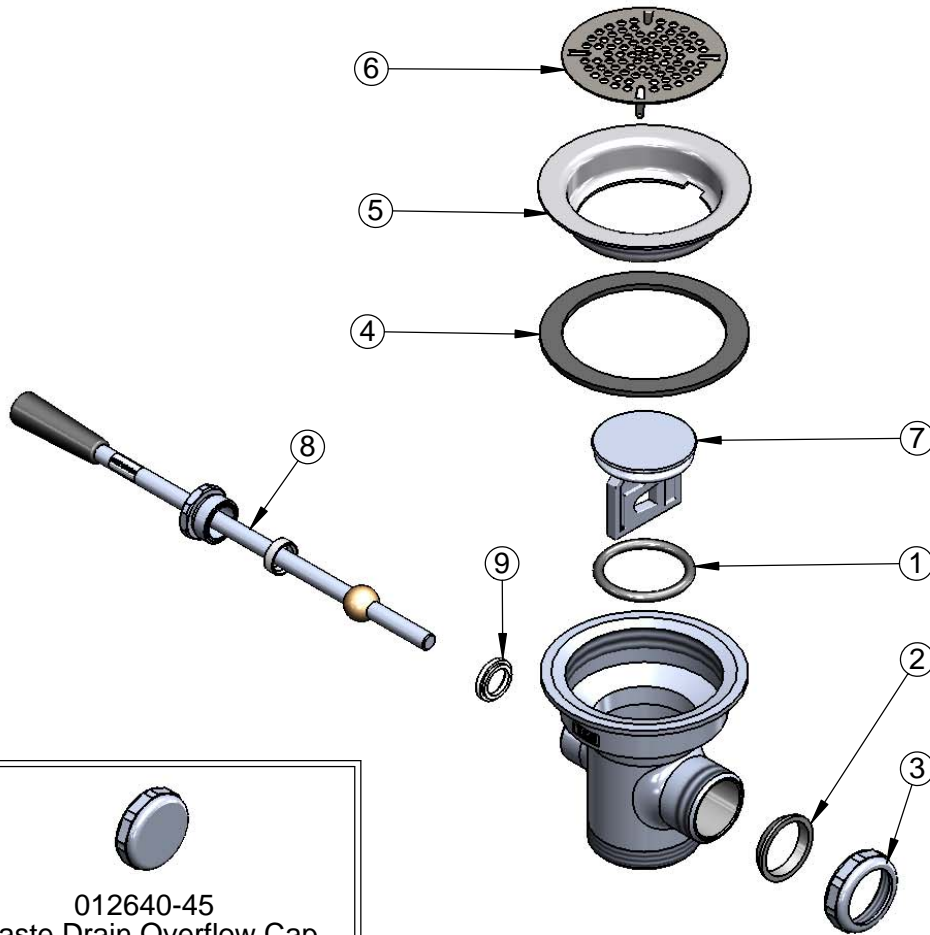
T&S BRASS AND BRONZE WORKS, INC.
 2 Saddleback Cove / P.O. Box 1088
 Travelers Rest, SC 29690

Model No.
B-3972

Item No.

Travelers Rest, SC: 800-476-4103 • Simi Valley, CA: 800-423-0150 • Fax: 864-834-3518 • www.tsbrass.com

| ITEM NO. | SALES NO. | DESCRIPTION |
|----------|-----------|------------------------------------|
| 1 | 010389-45 | O-Ring, Plunger |
| 2 | 010390-45 | Ferrule, Coupling Nut |
| 3 | 010391-45 | Nut, Coupling for Twist Drain |
| 4 | 010382-45 | Gasket, 3 1/2" Face Flange |
| 5 | 010384-45 | Flange, 3 1/2" Face |
| 6 | 010386-45 | Strainer, 3 1/2" Snap-in Removable |
| 7 | 010388-45 | Plunger, Lever and Twist Drain |
| 8 | 010394-45 | Handle, Waste Drain Valve Lever |
| 9 | 010392-45 | Bushing, Waste Drain Lever Handle |



Product Specifications:
 Waste Drain Valve w/ Lever Handle, 3 1/2" Sink Opening, 2" NPT Male / 1-1/2" NPT Female Outlet

Product Compliance:
 ASME A112.18.2 / CSA B125.2