



T&S BRASS AND BRONZE WORKS, INC.
 2 Saddleback Cove / P.O. Box 1088
 Travelers Rest, SC 29690

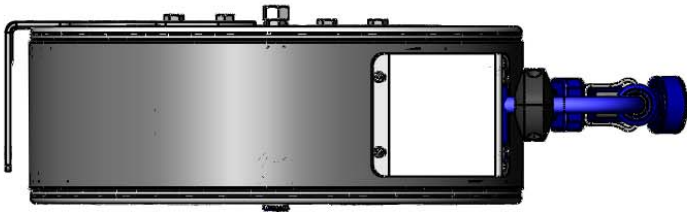
Model No.
B-7142-C02

Item No.

Travelers Rest, SC: 800-476-4103 • Simi Valley, CA: 800-423-0150 • Fax: 864-834-3518 • www.tsbrass.com

This Space for Architect/Engineer Approval

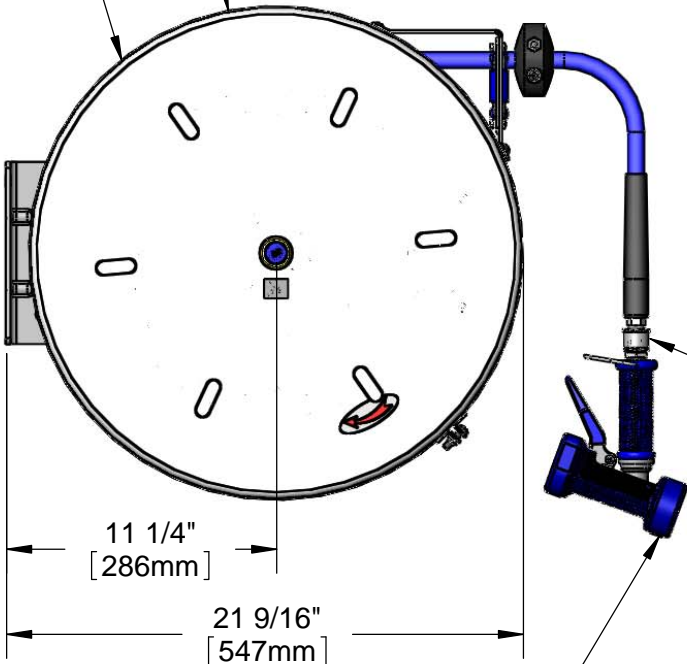
Job Name _____ Date _____
 Model Specified _____ Quantity _____
 Customer/Wholesaler _____
 Contractor _____
 Architect/Engineer _____



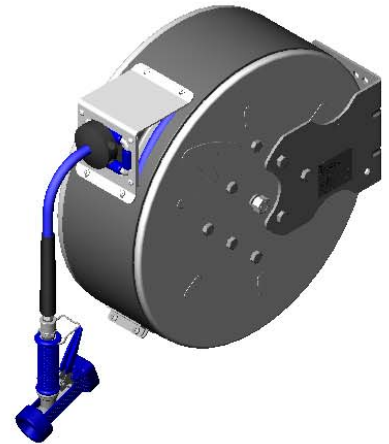
3/8" NPT Female Inlet
 (Left Side of Reel)

Enclosed Stainless Steel Hose Reel
 50' of 3/8" Hose

Ø20 9/16"
 [522mm]



8 7/16"
 [214mm]



6 3/16"
 [158mm]

Ø1/2"
 [13mm]

7 9/16"
 [193mm]

6"
 [152mm]

MV-2516-24
 Stainless Steel Rear
 Trigger Water Gun w/
 5/16" Orifice

019652-40
 3/8" NPT
 Live Swivel

13/16"
 [21mm]

1/2"
 [13mm]

3 1/8"
 [79mm]

Product Specifications:

3/8" x 50' Enclosed Stainless Steel Reel & Stainless Steel Rear Trigger Water Gun & Swivel, 5/16" Orifice

Product Compliance:

NSF 61 Exempt (Non-Potable)
 EPA Act 2005 Non-Compliant (PRSV)



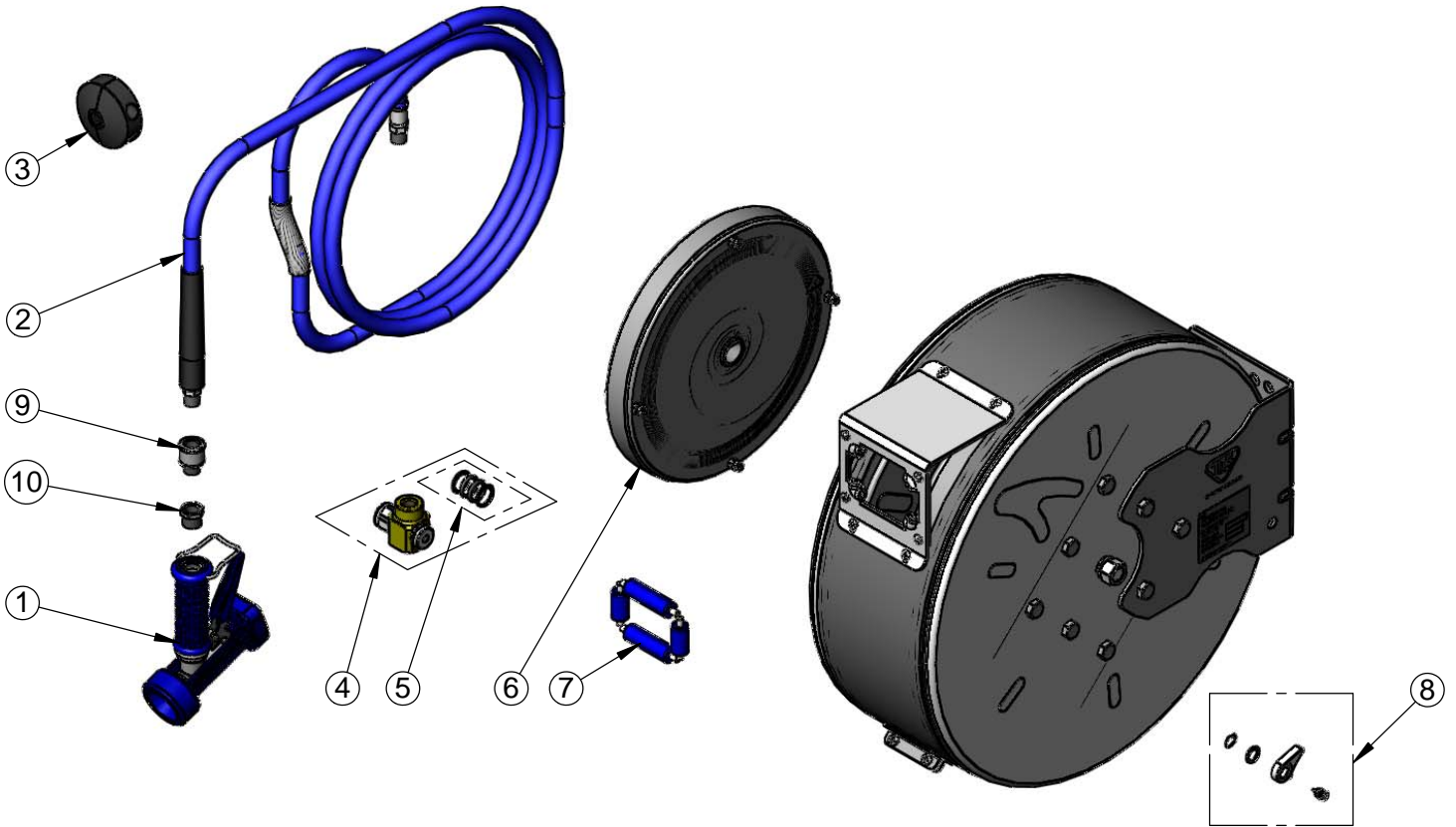
T&S BRASS AND BRONZE WORKS, INC.
 2 Saddleback Cove / P.O. Box 1088
 Travelers Rest, SC 29690

Model No.
B-7142-C02

Item No.

Travelers Rest, SC: 800-476-4103 • Simi Valley, CA: 800-423-0150 • Fax: 864-834-3518 • www.tsbrass.com

ITEM NO.	SALES NO.	DESCRIPTION
1	MV-2516-24	Rear Trigger Gun, 5/16" Orifice
2	014942-45	3/8" x 50' Hose Replacement Kit
3	014949-45	Hose Stop Repair Kit
4	019561-45	3/8" x 50' Swivel Repair Kit
5	019473-45	3/8" x 50' O-Ring Replacement Kit
6	014935-45	Large Stainless Steel Spring
7	014937-45	Roller Replacement Kit
8	014940-45	Ratchet Repair Kit
9	019652-40	3/8" NPT Live Swivel
10	001359-40	Hex Bushing, 1/2" NPT Male x 3/8" NPT Female



Product Specifications:
 3/8" x 50' Enclosed Stainless Steel Reel & Stainless Steel Rear Trigger Water Gun & Swivel, 5/16" Orifice

Product Compliance:
 NSF 61 Exempt (Non-Potable)
 EPA Act 2005 Non-Compliant (PRSV)