



**T&S BRASS AND BRONZE WORKS, INC.**  
 2 Saddleback Cove / P.O. Box 1088  
 Travelers Rest, SC 29690

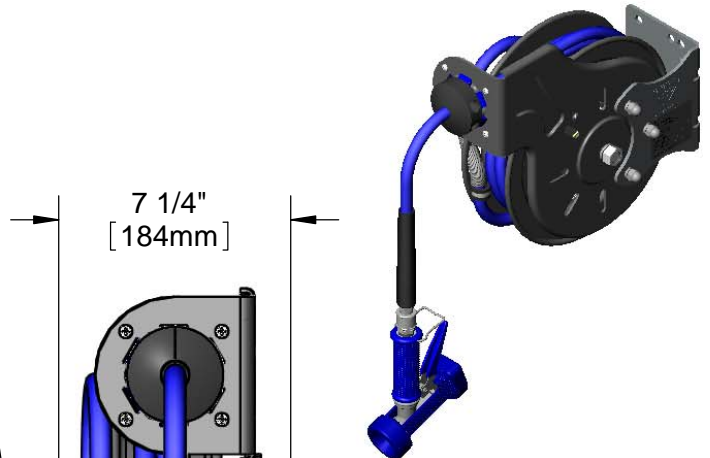
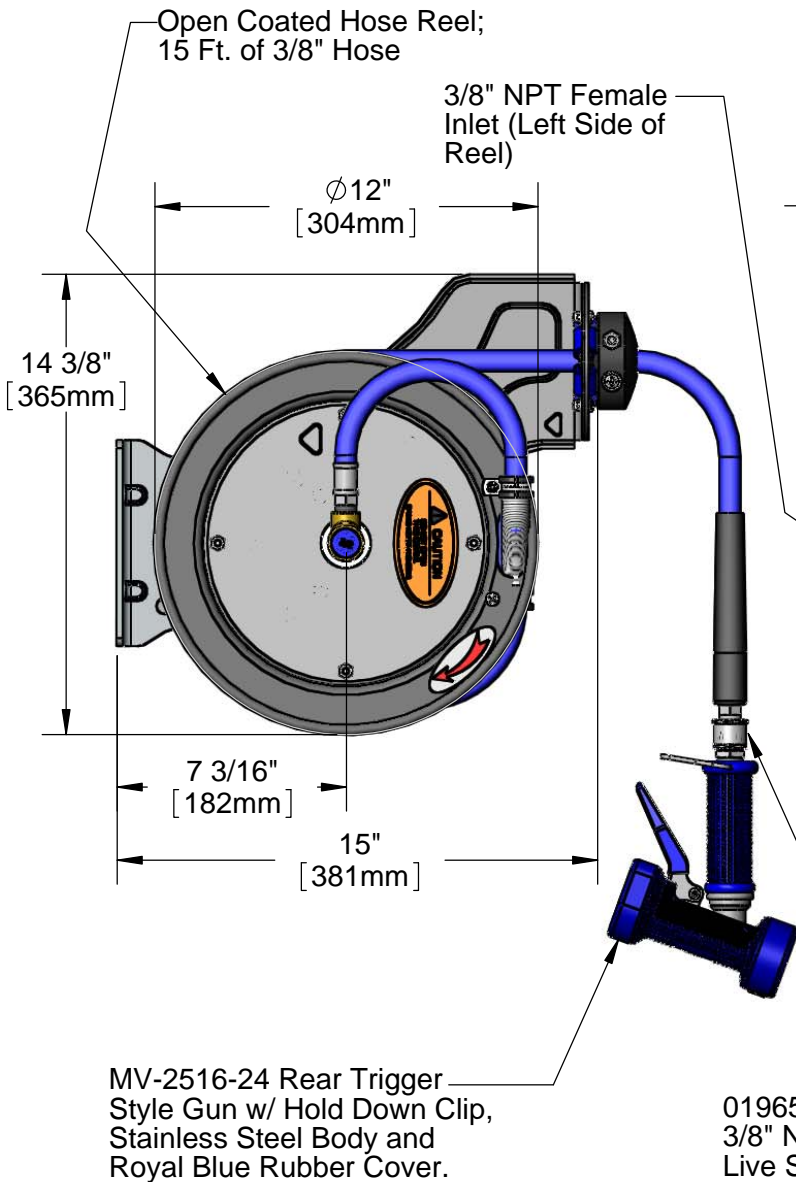
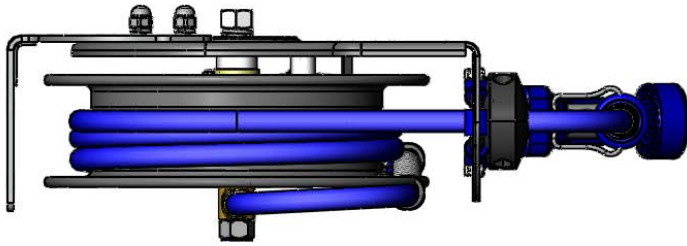
Model No.  
**B-7212-02**

Item No.

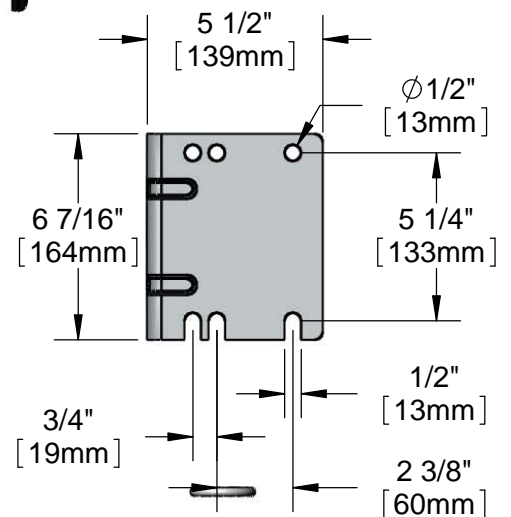
Travelers Rest, SC: 800-476-4103 • Simi Valley, CA: 800-423-0150 • Fax: 864-834-3518 • www.tsbrass.com

This Space for Architect/Engineer Approval

Job Name \_\_\_\_\_ Date \_\_\_\_\_  
 Model Specified \_\_\_\_\_ Quantity \_\_\_\_\_  
 Customer/Wholesaler \_\_\_\_\_  
 Contractor \_\_\_\_\_  
 Architect/Engineer \_\_\_\_\_



Mounting Hole Details



Product Specifications:  
 Hose Reel System:  
 3/8" x 15 Ft. Open Coated Reel w/ Rear Trigger Spray Gun,  
 Swivel & 5/16" Orifice

Product Compliance:  
 NSF 61 Exempt (Non-Potable)  
 EPAAct 2005 Non-Compliant (PRSV)



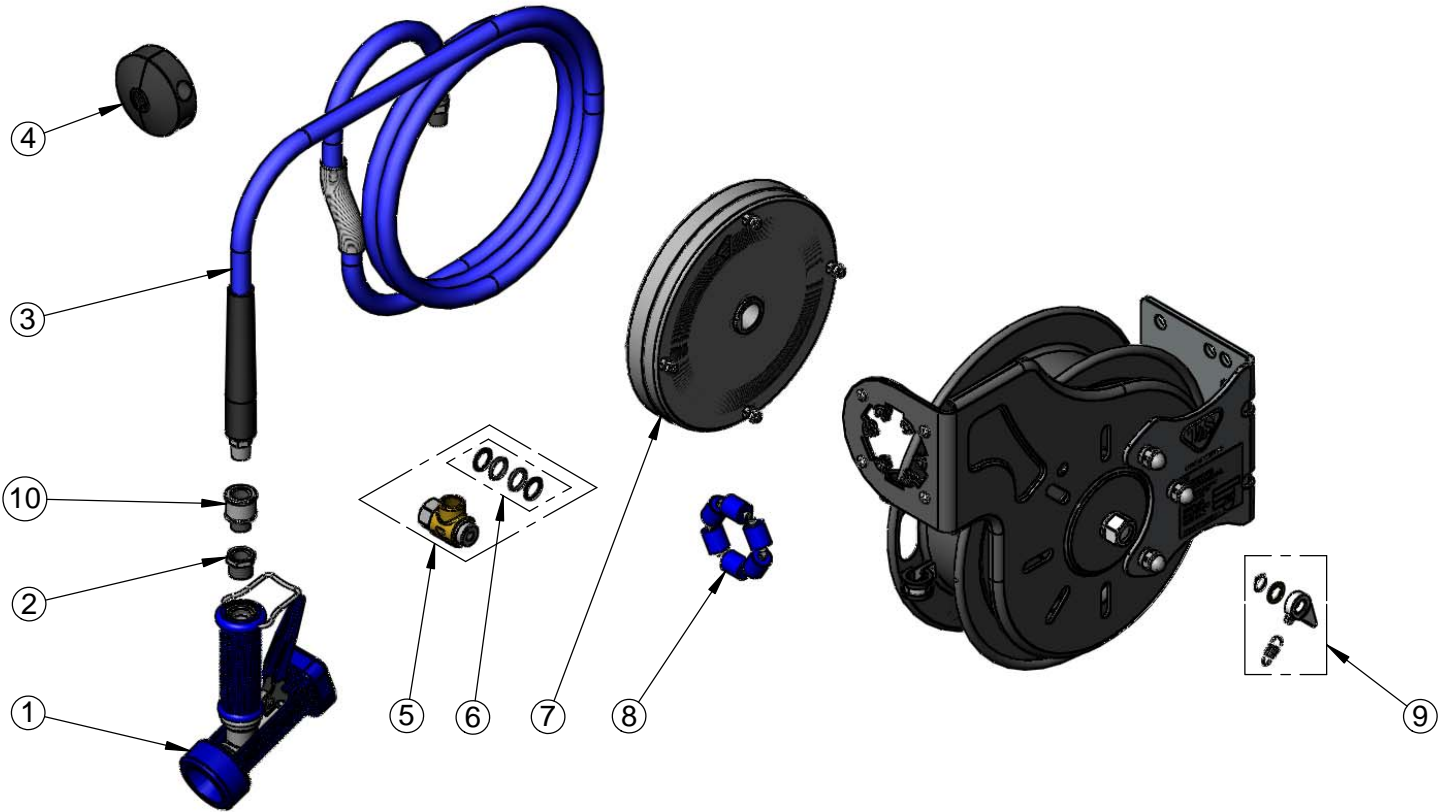
**T&S BRASS AND BRONZE WORKS, INC.**  
 2 Saddleback Cove / P.O. Box 1088  
 Travelers Rest, SC 29690

Model No.  
**B-7212-02**

Item No.

Travelers Rest, SC: 800-476-4103 • Simi Valley, CA: 800-423-0150 • Fax: 864-834-3518 • www.tsbrass.com

ITEM NO.	SALES NO.	DESCRIPTION
1	MV-2516-24	Rear Trigger Gun, 5/16" Orifice
2	001359-40	Hex Bushing, 1/2" NPT Male x 3/8" NPT Female
3	014944-45	3/8" x 15' Hose Replacement Kit
4	014949-45	Hose Stop Repair Kit
5	014946-45	3/8" Swivel Repair Kit
6	014948-45	O-Ring Replacement Kit
7	014932-45	Small Coated Spring Assembly
8	014938-45	Roller Replacement Kit
9	014940-45	Ratchet Repair Kit
10	019652-40	3/8" NPT Live Swivel



Product Specifications:  
 Hose Reel System:  
 3/8" x 15 Ft. Open Coated Reel w/ Rear Trigger Spray Gun,  
 Swivel & 5/16" Orifice

Product Compliance:  
 NSF 61 Exempt (Non-Potable)  
 EPA Act 2005 Non-Compliant (PRSV)