



T&S BRASS AND BRONZE WORKS, INC.
 2 Saddleback Cove / P.O. Box 1088
 Travelers Rest, SC 29690

Model No.
B-7242-02

Item No.

Travelers Rest, SC: 800-476-4103 • Simi Valley, CA: 800-423-0150 • Fax: 864-834-3518 • www.tsbrass.com

This Space for Architect/Engineer Approval

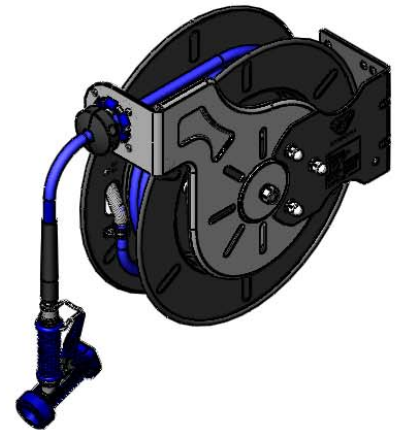
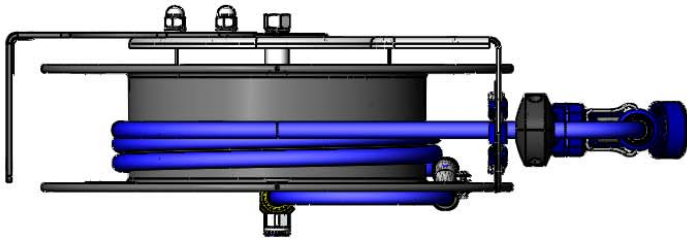
Job Name _____ Date _____

Model Specified _____ Quantity _____

Customer/Wholesaler _____

Contractor _____

Architect/Engineer _____



Open Coated Hose Reel;
 50 Ft. of 3/8" Hose

Ø 19 5/8"
 [498mm]

3/8" NPT Female
 Inlet (Left Side of
 Reel)

9 1/2"
 [241mm]

20 9/16"
 [523mm]

11 1/4"
 [286mm]

21 1/16"
 [535mm]

019652-40
 3/8" NPT
 Live Swivel

MV-2516-24 Rear Trigger
 Style Gun w/ Hold Down Clip,
 Stainless Steel Body and
 Royal Blue Rubber Cover.

Mounting Hole Details

6 3/16"
 [158mm]

Ø 1/2"
 [13mm]

7 9/16"
 [193mm]

6"
 [152mm]

13/16"
 [21mm]

1/2"
 [13mm]

3 1/8"
 [79mm]

Product Specifications:
 3/8" x 50 Ft. Open Coated Reel w/ Rear Trigger Spray Gun & Swivel,
 5/16" Orifice

Product Compliance:
 NSF 61 Exempt (Non-Potable)
 EPA 2005 Non-Compliant (PRSV)



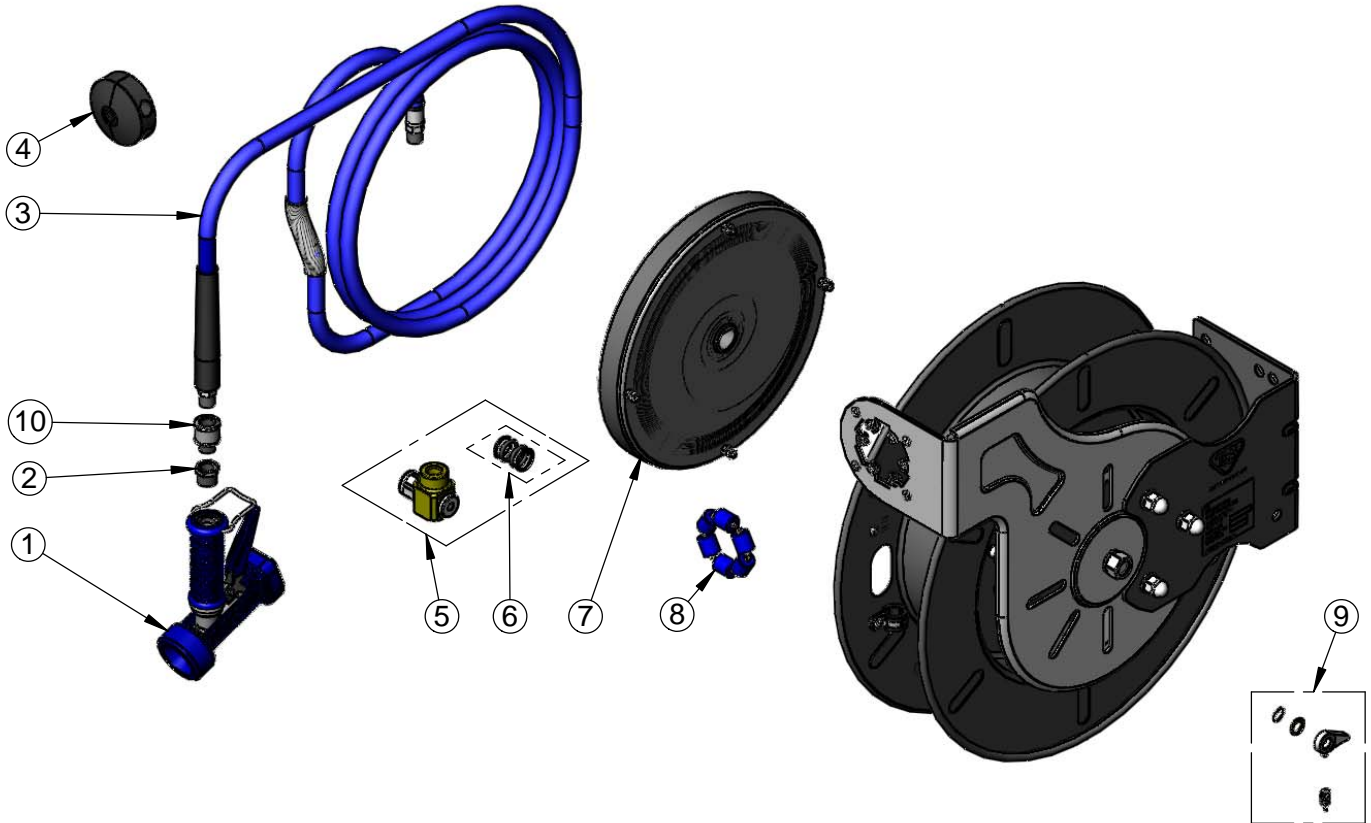
T&S BRASS AND BRONZE WORKS, INC.
 2 Saddleback Cove / P.O. Box 1088
 Travelers Rest, SC 29690

Model No.
B-7242-02

Item No.

Travelers Rest, SC: 800-476-4103 • Simi Valley, CA: 800-423-0150 • Fax: 864-834-3518 • www.tsbrass.com

ITEM NO.	SALES NO.	DESCRIPTION
1	MV-2516-24	Rear Trigger Gun, 5/16" Orifice
2	001359-40	Hex Bushing, 1/2" NPT Male x 3/8" NPT Female
3	014942-45	3/8" x 50' Hose Replacement Kit
4	014949-45	Hose Stop Repair Kit
5	019561-45	3/8" x 50' Swivel Repair Kit
6	019473-45	3/8" x 50' O-Ring Replacement Kit
7	014934-45	Large Coated Spring Assembly
8	014938-45	Roller Replacement Kit
9	014940-45	Ratchet Repair Kit
10	019652-40	3/8" NPT Live Swivel



Product Specifications:
 3/8" x 50 Ft. Open Coated Reel w/ Rear Trigger Spray Gun & Swivel,
 5/16" Orifice

Product Compliance:
 NSF 61 Exempt (Non-Potable)
 EPA Act 2005 Non-Compliant (PRSV)