



T&S BRASS AND BRONZE WORKS, INC.
 2 Saddleback Cove / P.O. Box 1088
 Travelers Rest, SC 29690

Model No.
B-7245-03

Item No.

Travelers Rest, SC: 800-476-4103 • Simi Valley, CA: 800-423-0150 • Fax: 864-834-3518 • www.tsbrass.com

This Space for Architect/Engineer Approval

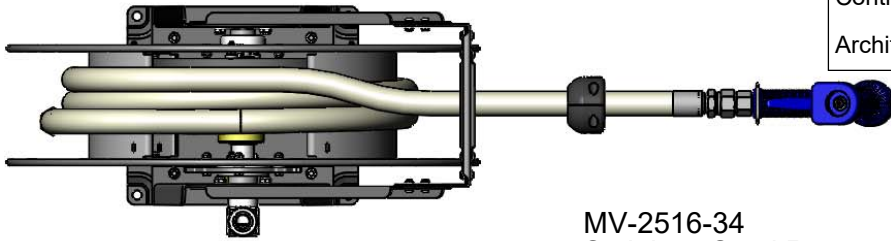
Job Name _____ Date _____

Model Specified _____ Quantity _____

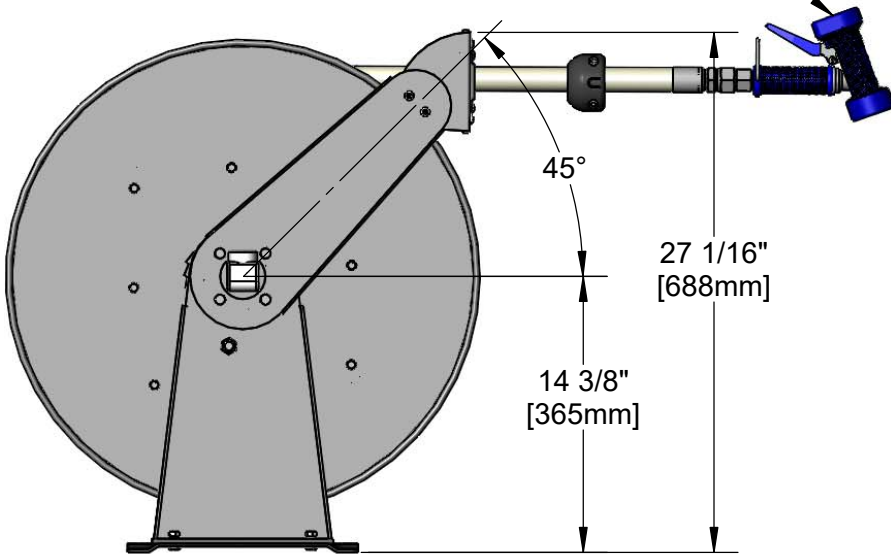
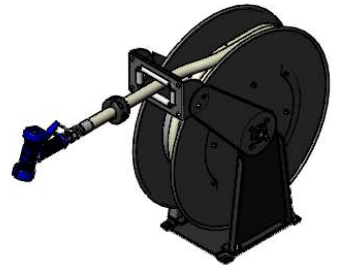
Customer/Wholesaler _____

Contractor _____

Architect/Engineer _____



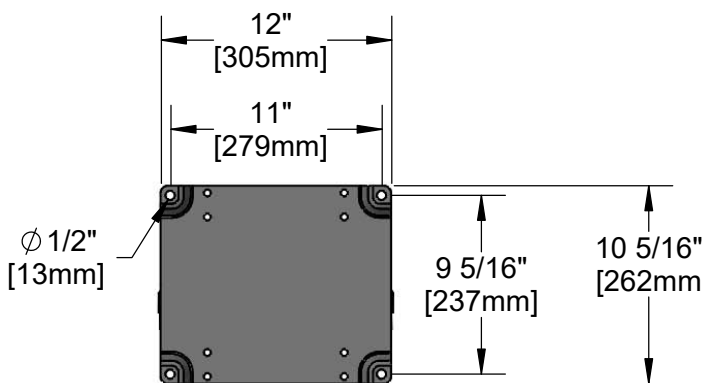
MV-2516-34
 Stainless Steel Rear
 Trigger Water Gun w/
 7/16" Orifice



3/4" NPT
 Female
 Inlet

3/4" x 50'
 Hose

5 5/8"
 [143mm]



Product Specifications:
 3/4" x 50' Open Coated Reel, Creamery Hose, Stainless Steel
 Rear Trigger Water Gun, 7/16" Orifice & Double Arm Support

Product Compliance:
 NSF 61 Exempt (Non-Potable)
 2019 DOE PRSV Non-Compliant

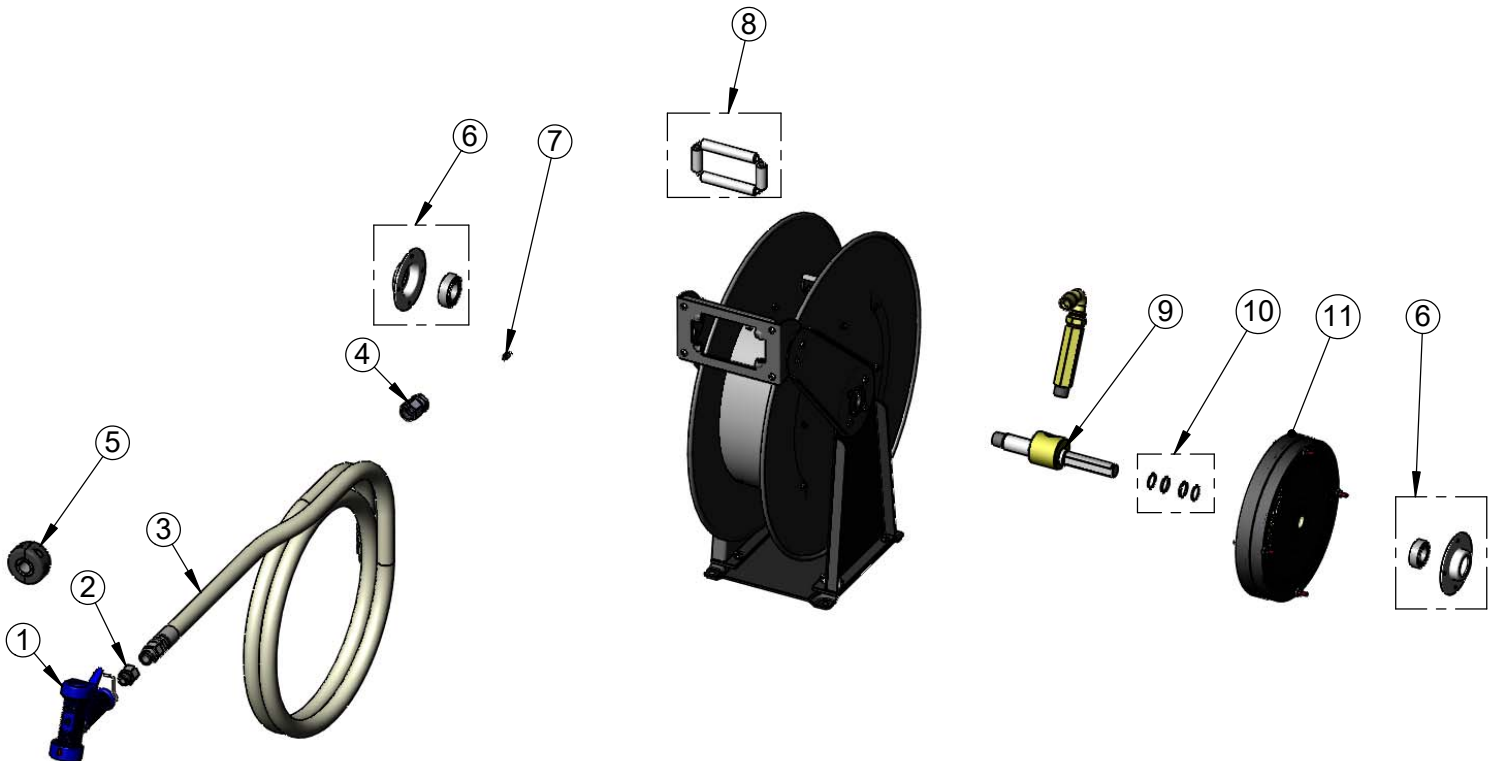


T&S BRASS AND BRONZE WORKS, INC.
 2 Saddleback Cove / P.O. Box 1088
 Travelers Rest, SC 29690

Model No.
B-7245-03
 Item No.

Travelers Rest, SC: 800-476-4103 • Simi Valley, CA: 800-423-0150 • Fax: 864-834-3518 • www.tsbrass.com

| ITEM NO. | SALES NO. | DESCRIPTION |
|----------|------------|---|
| 1 | MV-2516-34 | Rear Trigger Gun, 7/16" Orifice |
| 2 | 006112-25 | Adapter, 3/4" NPT Female x 1/2" NPT Male |
| 3 | 004980-40 | 50' of 3/4" Creamery Hose |
| 4 | 015713-45 | Swivel Connector, 3/4" NPT Female x 3/4" NPT Female |
| 5 | 014930-45 | Hose Stop Repair Kit |
| 6 | 014923-45 | Bearing Repair Kit |
| 7 | 014926-45 | Ratchet Spring Repair Kit |
| 8 | 014925-45 | Roller Guide Kit |
| 9 | 014928-45 | Swivel Repair Kit |
| 10 | 014929-45 | O-Ring Repair Kit |
| 11 | 014924-45 | Spring Repair Kit |



Product Specifications:
 3/4" x 50' Open Coated Reel, Creamery Hose, Stainless Steel
 Rear Trigger Water Gun, 7/16" Orifice & Double Arm Support

Product Compliance:
 NSF 61 Exempt (Non-Potable)
 2019 DOE PRSV Non-Compliant