



T&S BRASS AND BRONZE WORKS, INC.
 2 Saddleback Cove / P.O. Box 1088
 Travelers Rest, SC 29690

Model No.

B-KG

Item No.

Travelers Rest, SC: 800-476-4103 • Simi Valley, CA: 800-423-0150 • Fax: 864-834-3518 • www.tsbrass.com

This Space for Architect/Engineer Approval

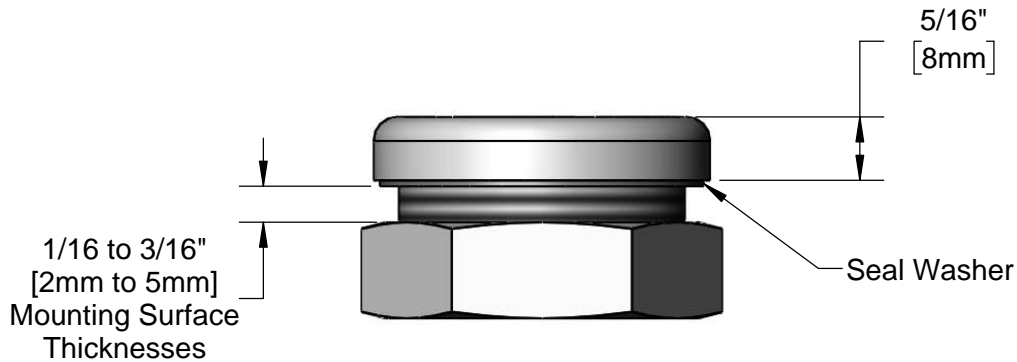
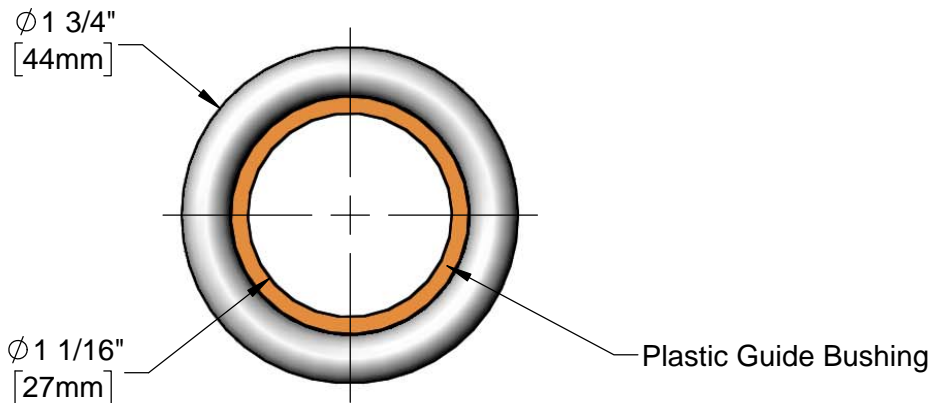
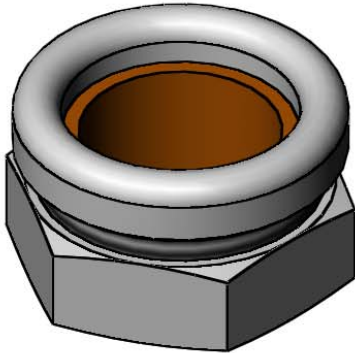
Job Name _____ Date _____

Model Specified _____ Quantity _____

Customer/Wholesaler _____

Contractor _____

Architect/Engineer _____



Chrome Plated Brass Flange & Nut

Rough-In Requirement:
 $\phi 1 \frac{9}{16}$ " [40mm] Hole

Product Specifications:
 Protective Flange for Deck Mounted Spray Hoses
 (For Mounting Surface Thicknesses From $\frac{1}{16}$ " to $\frac{3}{16}$ ")

Product Compliance: