



# T&S BRASS AND BRONZE WORKS, INC.

2 Saddleback Cove / P.O. Box 1088  
Travelers Rest, SC 29690

Model No.

**BL-5704-04**

Item No.

Travelers Rest, SC: 800-476-4103 • Simi Valley, CA: 800-423-0150 • Fax: 864-834-3518 • www.tsbrass.com



**ADA Compliant**

This Space for Architect/Engineer Approval

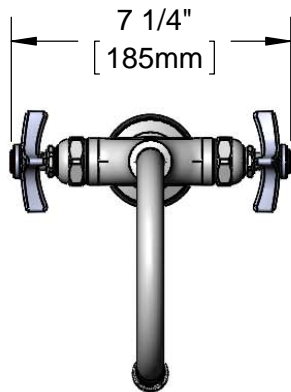
Job Name \_\_\_\_\_ Date \_\_\_\_\_

Model Specified \_\_\_\_\_ Quantity \_\_\_\_\_

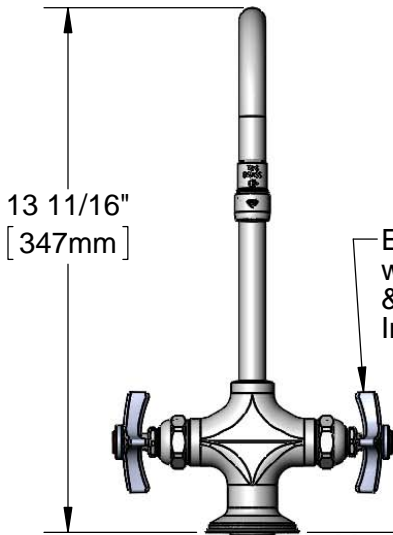
Customer/Wholesaler \_\_\_\_\_

Contractor \_\_\_\_\_

Architect/Engineer \_\_\_\_\_



7 1/4"  
[185mm]

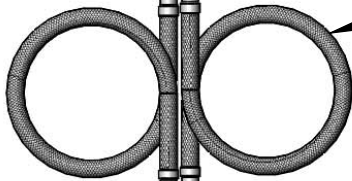


13 11/16"  
[347mm]

Eterna Cartridges  
w/ 4-Arm Handles  
& Color Coded  
Indexes

Mounting Surface

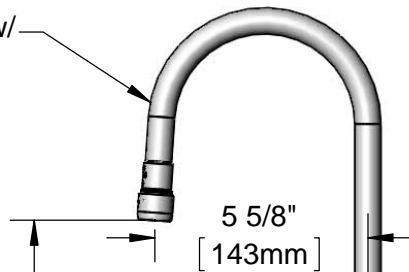
Ø 2 7/16"  
[62mm]



18" Flexible  
Stainless Steel  
Supply Hoses

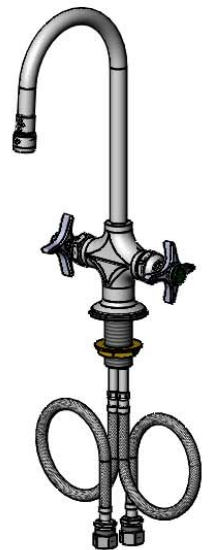
Compression Fittings  
for 5/8" O.D. Copper Tubing  
(Remove Compression Nut  
for 1/2" NPSM Male)

Rigid Gooseneck w/  
B-0199-02  
2.2 GPM Aerator



5 5/8"  
[143mm]

8 1/8"  
[206mm]



2 3/8"  
[60mm]

1 3/8"  
[35mm]  
Maximum  
Thickness

Rough-In Requirement:  
Ø 1 1/2" [38mm] Mounting Hole

**Product Specifications:**

Single Hole Deck Mount Mixing Faucet w/ Eterna Cartridges, 4-Arm Handles, Rigid Gooseneck, 2.2 GPM Aerator & 18" Flexible Stainless Steel Supply Hoses w/ 1/2" NPSM Male Inlets

**Product Compliance:**

ASME A112.18.1 / CSA B125.1  
NSF 61 Exempt (Non-Potable)  
ANSI A117.1 (ADA)

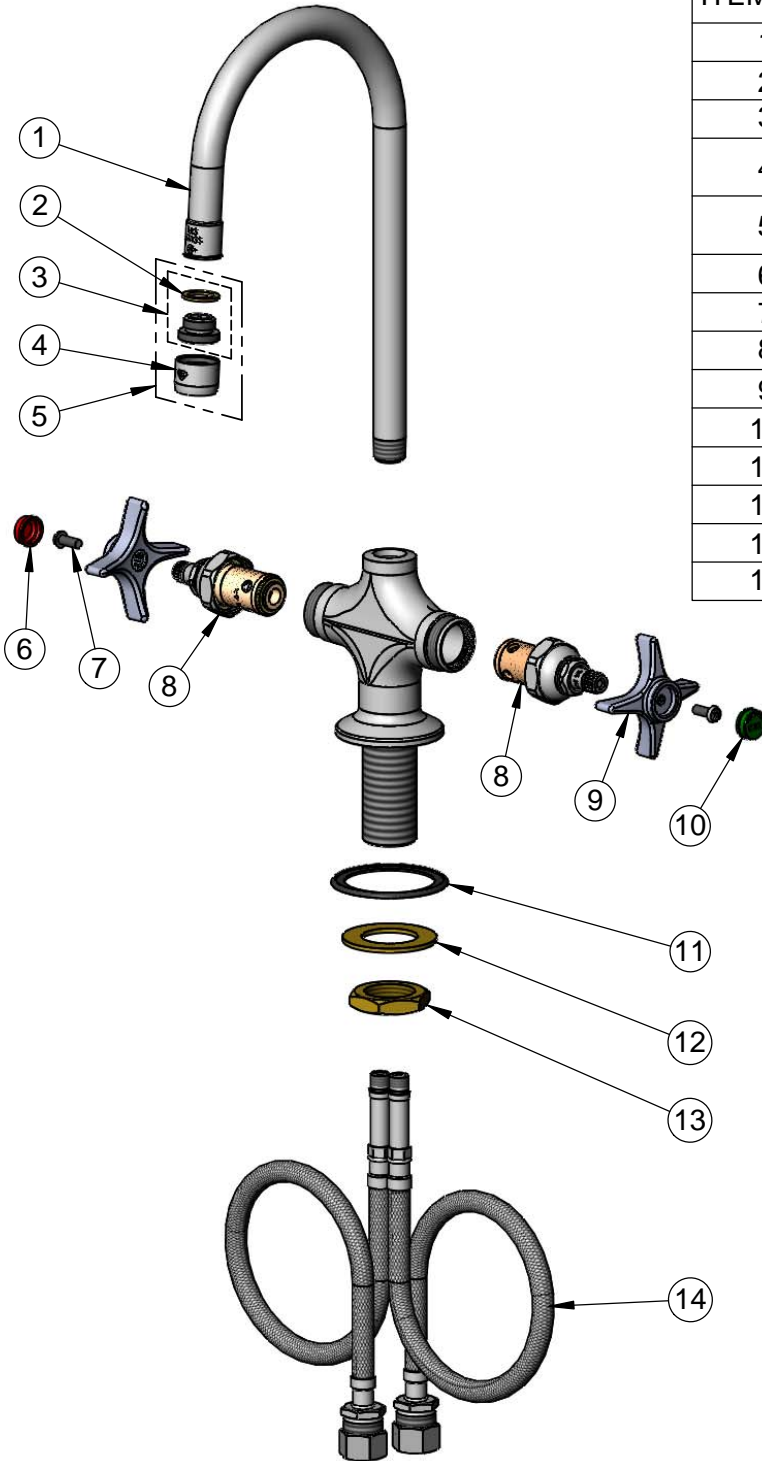


**T&S BRASS AND BRONZE WORKS, INC.**  
 2 Saddleback Cove / P.O. Box 1088  
 Travelers Rest, SC 29690

Model No.  
**BL-5704-04**  
 Item No.

Travelers Rest, SC: 800-476-4103 • Simi Valley, CA: 800-423-0150 • Fax: 864-834-3518 • www.tsbrass.com

ITEM NO.	SALES NO.	DESCRIPTION
1	000398-40	Rigid Gooseneck
2	001043-45	Washer
3	044A	3/8" to Aerator Adapter
4	B-0199-01	2.2 GPM Aerator, 55/64"-27 UN Female
5	B-0199-02	2.2 GPM Aerator, 3/8" NPSM Male
6	001194-45	Red Index - HW
7	000925-45	Lab Handle Screw
8	005960-40	Eterna Cartridge, RTC
9	000059-40	4-Arm Lab Handle
10	001191-45	Green Index - CW
11	145L	Black Plastic Gasket
12	002290-45	Lock Washer
13	000965-45	Lock Nut
14	012534-45	18" Flexible Supply Hose (2)



Product Specifications:  
 Single Hole Deck Mount Mixing Faucet w/ Eterna Cartridges, 4-Arm  
 Handles, Rigid Gooseneck, 2.2 GPM Aerator & 18" Flexible Stainless  
 Steel Supply Hoses w/ 1/2" NPSM Male Inlets

Product Compliance:  
 ASME A112.18.1 / CSA B125.1  
 NSF 61 Exempt (Non-Potable)  
 ANSI A117.1 (ADA)