



# T&S BRASS AND BRONZE WORKS, INC.

2 Saddleback Cove / P.O. Box 1088  
Travelers Rest, SC 29690

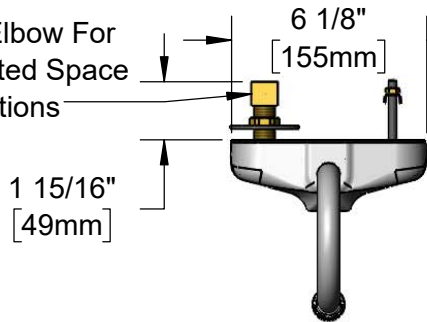
Model No.

**EC-3105**

Item No.

Travelers Rest, SC: 800-476-4103 • Simi Valley, CA: 800-423-0150 • Fax: 864-834-3518 • www.tsbrass.com

Short Elbow For  
Restricted Space  
Installations



**ADA Compliant**

This Space for Architect/Engineer Approval

Job Name \_\_\_\_\_ Date \_\_\_\_\_

Model Specified \_\_\_\_\_ Quantity \_\_\_\_\_

Customer/Wholesaler \_\_\_\_\_

Contractor \_\_\_\_\_

Architect/Engineer \_\_\_\_\_

1/2" NPSM x 3/8" NPSM  
30" [762mm] Flexible  
Stainless Steel Hose

4 1/8" Rigid Gooseneck  
w/ 2.2 GPM [8.3 L/min]  
Vandal Resistant Aerator

Solid Cast Brass Body w/  
Polish Chrome Plated Finish

24" [610mm]  
Sensor Cable

Removable  
Strainer

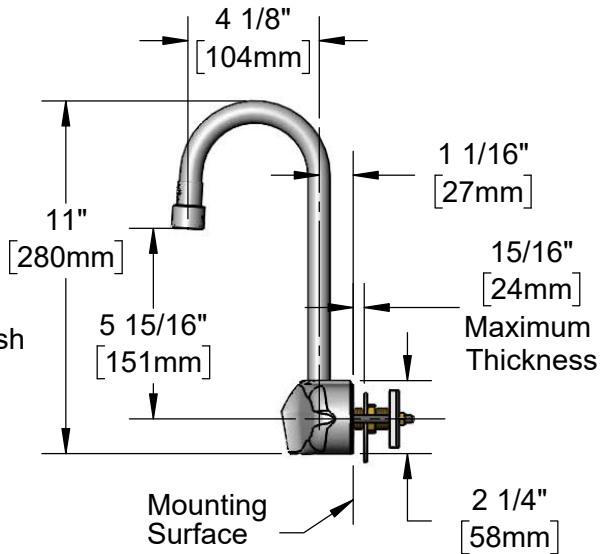
3 5/8" x 4 3/16" x 2" Deep  
[92mm x 106mm x 51mm]  
Water Resistant Control Module Box (Grey)  
w/ Internal Flow Control Setting  
Switches, AC or DC Operated w/ (4) AA Batteries.  
Hardwire Capable Using Terminals on Back

100-240 VAC Adapter w/  
71" [1800mm] Power Cable.  
(Remove Rubber Plugs on  
Module and Cable to Connect)

(2) 3/8" Compression x 1/2" NPSM  
18" [457mm] Flexible Stainless Steel  
Supply Hose

Temperature Mixing  
Valve w/ Integral Check Valves

Rough-In Requirement:  
(2) 1" [25mm] Mounting Holes on 4" [102mm] Centers



### Product Specifications:

Chrome Plated Brass Electronic Faucet: 4" Wall Mount Rigid Gooseneck w/ 2.2 GPM VR Aerator, AC/DC Control Module w/ Internal Flow Control Setting Switches, Temperature Control Mixing Valve w/ Integral Check Valves & 18" Hot & Cold Supply Stop Flexible Connector Hoses

### Product Compliance:

ASME A112.18.1 / CSA B125.1  
NSF 61 - Section 9  
NSF 372 (Low Lead Content)  
ANSI A117.1 (ADA)  
UL 1951

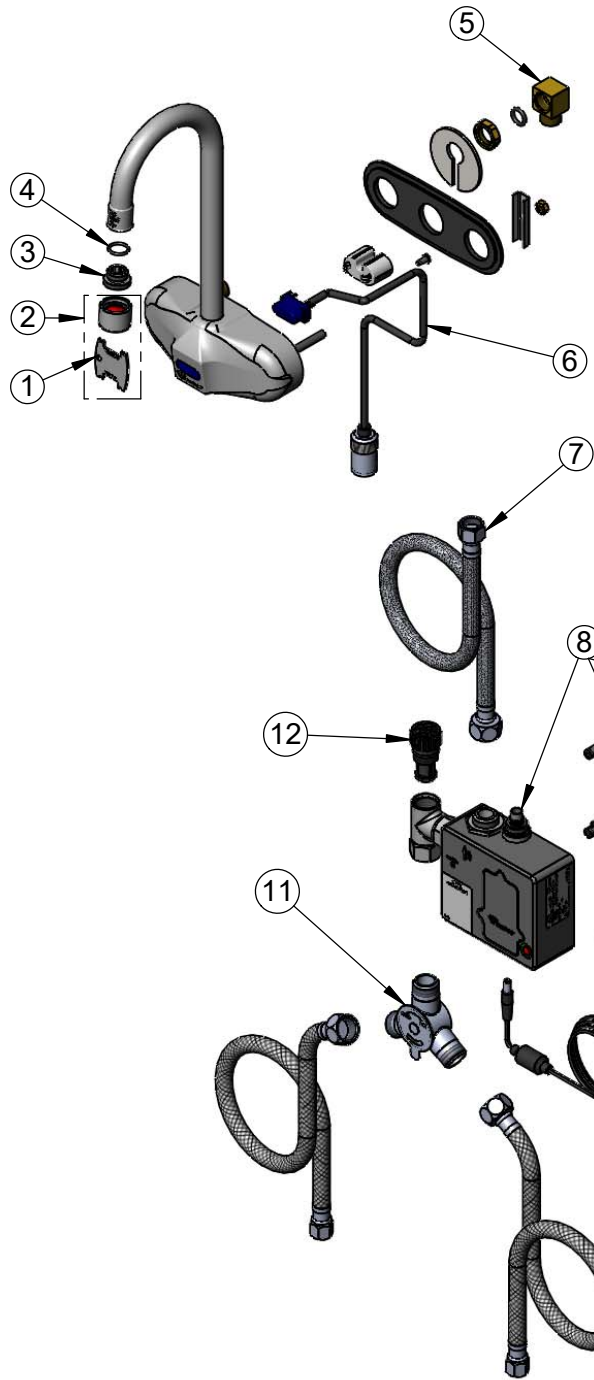


**T&S BRASS AND BRONZE WORKS, INC.**  
 2 Saddleback Cove / P.O. Box 1088  
 Travelers Rest, SC 29690

Model No.  
**EC-3105**

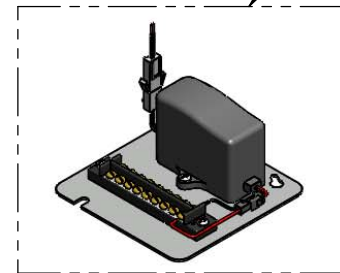
Item No.

Travelers Rest, SC: 800-476-4103 • Simi Valley, CA: 800-423-0150 • Fax: 864-834-3518 • www.tsbrass.com



ITEM NO.	SALES NO.	DESCRIPTION
1	015425-45	Vandal Resistant Key
2	B-0199-06	VR 2.2 GPM Aerator w/ Key, 55/64-27 Female
3	044A	3/8" to Aerator Adapter
4	006575-45	O-Ring
5	015345-45	Low Profile Elbow, 3/8 NPSM
6	017195-45	Angled Sensor with Cable
7	016325-45	Flex Connector, 3/8 NPSM x 1/2 NPSM
8	016647-45	ChekPoint Sensor Faucet Control Module
9	5EF-0002	A/C Transformer
10	5EF-0005	Supply Hose, 9/16-24 Female x 1/2" NPSM
11	5EF-0006	Mechanical Mixing Valve
12	EC-FILTER	Replacement Filter

A Maximum of (8) ChekPoint Faucets can be Hardwire Connected and Powered by EC-HARDWIRE ChekPoint Hardwire AC Transformer. (Sold Separately)



Label for Flow Control Switch Settings is Located on Inside of Back Cover.

Flow Control Switches are Located Inside Module Housing in Black Box Next to Battery Compartment.  
 \*Switches are Set to DEFAULT Position:  
 - Auto Time Out = 15 Seconds  
 - Shut Off Delay = 1 Second  
 - Auto Flush = OFF

\*Available Water Flow Control Selections:  
 - Auto Time Out: 15 sec, 30 sec, 45 sec, 60 sec, 3 min, 20 min  
 - Shut Off Delay: 1 sec, 10 sec, 15 sec, 30 sec  
 - Auto Flush (30 Seconds After Every 12 Inactive Hours): ON or OFF

Remove (4) Screws and Back Cover to Access Switches.

Product Specifications:  
 Chrome Plated Brass Electronic Faucet: 4" Wall Mount Rigid Gooseneck w/ 2.2 GPM VR Aerator, AC/DC Control Module w/ Internal Flow Control Setting Switches, Temperature Control Mixing Valve w/ Integral Check Valves & 18" Hot & Cold Supply Stop Flexible Connector Hoses

Product Compliance:  
 ASME A112.18.1 / CSA B125.1  
 NSF 61 - Section 9  
 NSF 372 (Low Lead Content)  
 ANSI A117.1 (ADA)  
 UL 1951