



T&S BRASS AND BRONZE WORKS, INC.
 2 Saddleback Cove / P.O. Box 1088
 Travelers Rest, SC 29690

Model No.
HG-4-K Series

Item No.

Travelers Rest, SC: 800-476-4103 • Simi Valley, CA: 800-423-0150 • Fax: 864-834-3518 • www.tsbrass.com

This Space for Architect/Engineer Approval

Job Name _____ Date _____

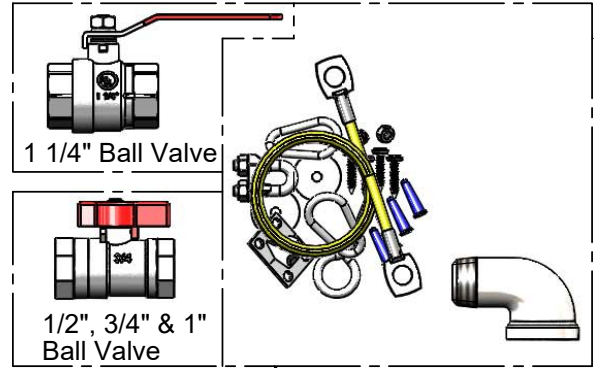
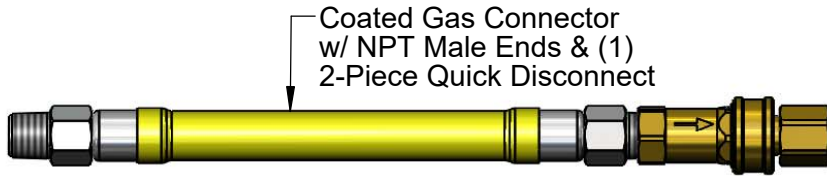
Model Specified _____ Quantity _____

Customer/Wholesaler _____

Contractor _____

Architect/Engineer _____

SAFE-T-LINK



| "L" = Length | 1/2" NPT |
|--------------|-----------|
| 12" | HG-4C-12K |
| 24" | HG-4C-24K |
| 36" | HG-4C-36K |
| 48" | HG-4C-48K |
| 60" | HG-4C-60K |
| 72" | HG-4C-72K |

| "L" = Length | 3/4" NPT |
|--------------|-----------|
| 12" | HG-4D-12K |
| 24" | HG-4D-24K |
| 36" | HG-4D-36K |
| 48" | HG-4D-48K |
| 60" | HG-4D-60K |
| 72" | HG-4D-72K |

| "L" = Length | 1" NPT |
|--------------|-----------|
| 12" | HG-4E-12K |
| 24" | HG-4E-24K |
| 36" | HG-4E-36K |
| 48" | HG-4E-48K |
| 60" | HG-4E-60K |
| 72" | HG-4E-72K |

| "L" = Length | 1 1/4" NPT |
|--------------|------------|
| 36" | HG-4F-36K |
| 48" | HG-4F-48K |
| 60" | HG-4F-60K |

Installation Kit:
 Restraining Cable,
 Street El, Ball Valve

HG-4-K Series Product Configurator: HG - 4 - K

Ex: HG - 4 - K

Gas Hose, 3/4" NPT Male Ends, 36" Length, (1) 2-Piece Quick Disconnect,
 (1) Street El, (1) Installation Kit

Product Specifications:

Safe-T-Link Gas Appliance Connector: Coated Gas Hose, NPT Male Ends,
 2-Piece Quick Disconnect and Street Elbow

Product Compliance:

ANSI Z21.69 / CSA 6.16
 NSF 2
 NFPA 54