



Your Solutions Partner

Specifications

F.O.B St. Louis, Missouri 63102



613-G1

OPTIONS:

- Stainless steel interior
- 27" stainless steel angular legs
- Open leg base, stainless steel, w/rack guides
- Stainless steel back enclosure panel
- Seismic feet
- Field stacking kit
- 48" flexible disconnect, w/restraining device
- Down draft hood
- Flue deflector
- Casters
- Porcelain drip tray
- Extra oven racks - standard and deep depth
- Prison package - tamper proof screws, lexan hinged cover with lockable clasp
- Extended warranty

AGENCY LISTINGS:



DUKE MANUFACTURING CO.

2305 N. Broadway
St. Louis, MO 63102

800.735.3853 Toll Free
314-231-1130 In Missouri
314.231.5074 Fax
www.dukemfg.com

Approval Stamp(s):

PRODUCT INFORMATION:

PROJECT: _____

ITEM: _____

QUANTITY: _____

MODEL:

Duke Convection Ovens

Single Section - Standard Depth - Gas

613-G1 Single section, standard depth

STANDARD FEATURES:

- 6 racks/13 rack positions
- Porcelain interior finish
- 65/35 stainless steel doors - chain driven
- Double pane glass in 65 door
- 27" angular painted legs

OVEN SECTION:

- Stainless steel front, sides and top
- 1-1/2" insulation on bottom, sides and back
- 3" insulation on top

OVEN CONTROLS:

- "V" - Basic snap action thermostat (200°- 500°F), 60 minute electric dial timer with continuous sound buzzer, 2-speed fan
- "XX" - Solid state digital time and temperature controls, 12-hour countdown timer, **Cook and Hold** feature, 2-speed fan, Pulse fan capability

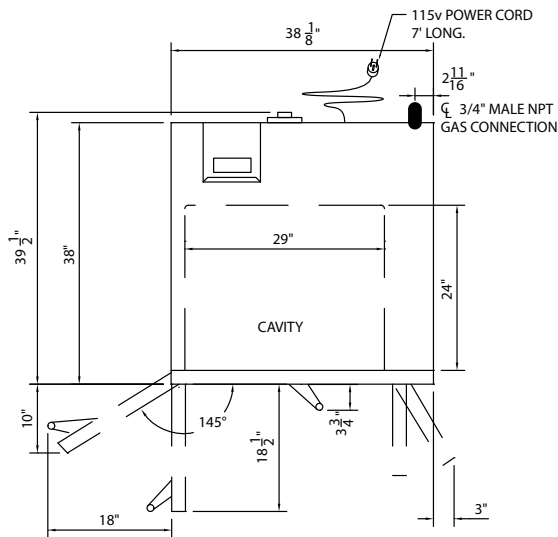
SHORT FORM SPECIFICATIONS:

Duke Convection Ovens - Gas - Single Section - Standard Depth.

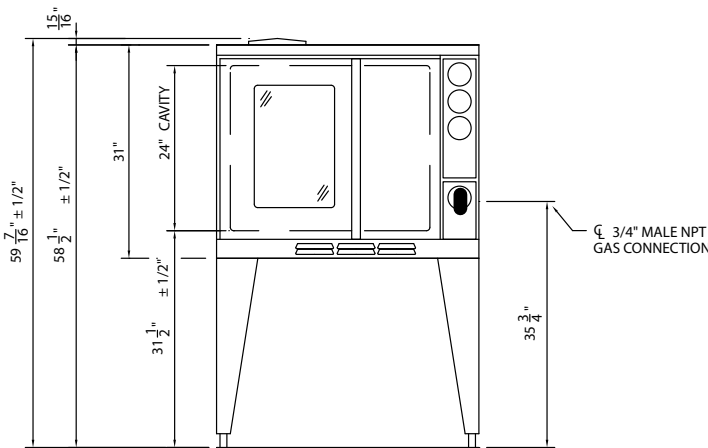
Front, sides, top, door, interior door liners and door gaskets shall be constructed of stainless steel. Porcelain interior finish, with 6 racks and 13 rack position, and 7/8" coved corners. Unit shall have simultaneously opening doors and 27" angular painted legs with adjustable feet. Unit shall have 65/35 chain driven stainless steel doors with double pane glass in 65 door. Doors shall be mounted on full length solid steel shafts and bronze bushings. Interior lighting to be (2) 50 watt, 115v bulbs. Bottom, sides and back shall be fully insulated with 1-1/2" thick insulation, top to have 3" thick insulation. Units shall have 40,000 BTU input, electronic relight system, 1/2 HP 2-speed blower motor 115v, ON-OFF-COOL DOWN switch manual gas shut-off on control panel. Built-in gas pressure regulator. Overall dimensions of unit shall be: 60" height, including 27" legs, 38" width, depth of 39-1/2" and cavity dimensions of 29"W x 24"H x 24"D.

**DUKE CONVECTION OVENS
SINGLE SECTION - GAS - STANDARD DEPTH**

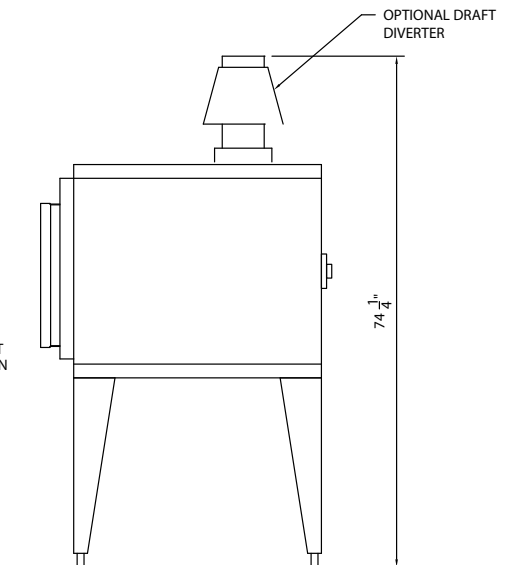
☐ **613-G1** Single section, standard depth



TOP VIEW



FRONT VIEW



RIGHT SIDE VIEW

| Gas Specifications | |
|---|----------|
| | BTU/Hour |
| 613-G1 | 40,000 |
| Regulated gas pressure required 3.5" WC natural /10" WC propane | |
| Combustible surface clearance - 1" side, 1" rear, 6" floor | |
| ■ - Gas connection | |
| 3/4" Gas connection | |
| Electrical requirements: 3.5 Amps/ 115V | |
| Standard 115V units supplied with 5' cord and plug | |

DIMENSIONS:

FREIGHT CLASS: 85

| Model | Depth front view | | Width | | Height top view | | Cube ft. crated | Weight | |
|---------------|------------------|-------|-------|------|-----------------|-------|-----------------|--------|-------|
| | in | cm | in. | cm | in. | cm | | lbs | kg |
| 613-G1 | 39-1/2 | 100.3 | 38 | 96.5 | 60 | 152.4 | 59.6 | 505 | 230.0 |

Specify gas type

Specify altitude over 2000 feet



DUKE MANUFACTURING CO.

2305 N. Broadway
St. Louis, MO 63102

800.735.3853 Toll Free
800.231.1130 In Missouri
314.231.5074 Fax
www.dukemfg.com

Specification subject to change