



Your Solutions Partner

Specifications

F.O.B. Sedalia, Missouri 65301



E101-G

OPTIONS:

- Down Draft Hood
- Common Gas Manifold
- Flue Deflector
- Field Stacking Kit
- Porcelain Drip Tray
- Extra Oven Racks
- Natural or Propane
- Casters

DUKE MANUFACTURING CO.
 2305 N. Broadway
 St. Louis, MO 63102
 800.735.3853 Toll Free
 314.231.5074 Fax
 www.dukemfg.com
 SS-1064 E-Series Single-Gas

Approval Stamp(s):

PRODUCT INFORMATION:

PROJECT: _____

ITEM: _____

QUANTITY: _____

MODEL:

Duke Convection Ovens "E" Series - Single Deck - Gas

- **E101-G** Single deck, standard depth

STANDARD FEATURES

- 5 racks/13 rack positions per oven
- Porcelain interior
- Stainless steel front
- Painted sides and top
- 50/50 stainless steel doors
- 27" angular painted legs/ adjustable feet
- 2 speed fan

OVEN SECTION

- Double pane glass both doors
- 1 1/2" insulation on bottom, sides and back
- 3" insulation on top
- Interior lights

OVEN CONTROLS

- Power off/cook switch
- Dial type thermostat - 200° - 500°F
- 1-hour dial timer, electric buzzer

BURNER SYSTEM

- 40,000 BTU
- High output atmospheric burner system
- Main gas shut off valve
- Built-in gas regulator

Certifications



DUKE CONVECTION OVENS - "E" SERIES - SINGLE - GAS

Catalog No. DCO-EGASS

A.I.A. File No. 35-C-13

Specification subject to change

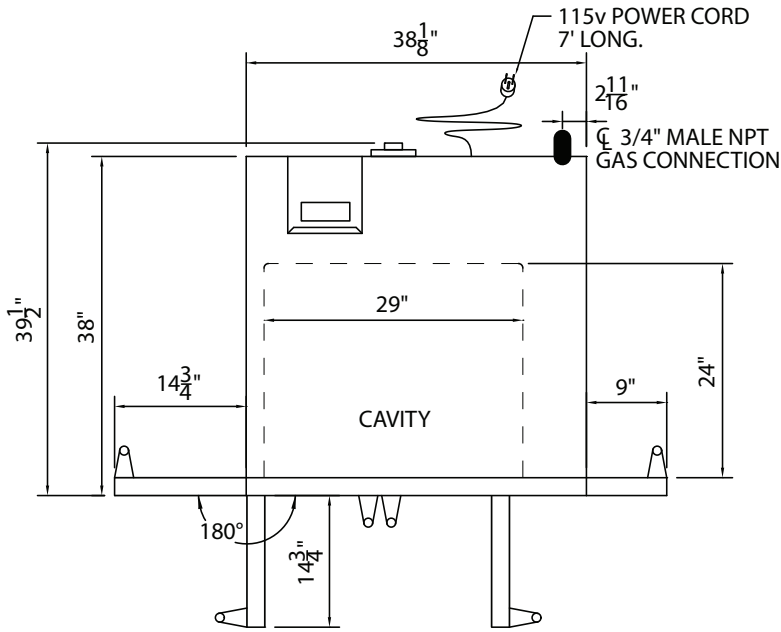
REV 5-16-2019

DUKE CONVECTION OVENS

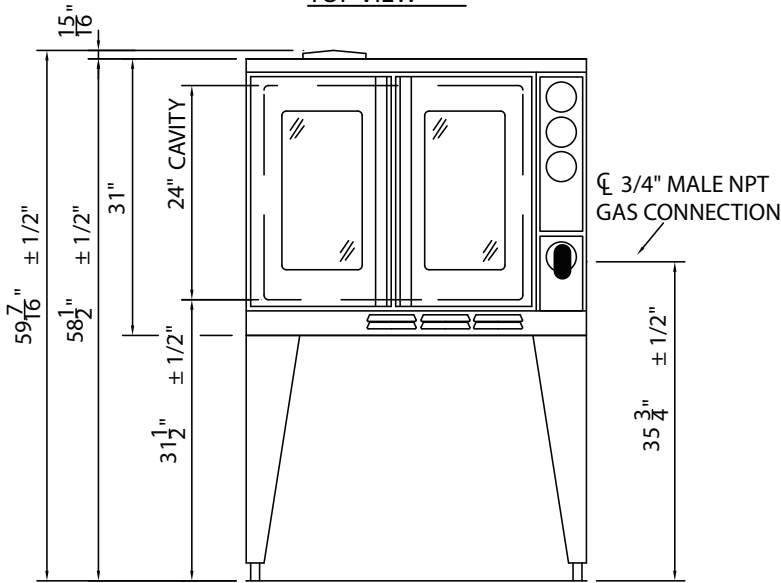
"E" SERIES - SINGLE DECK - GAS

A.I.A. File No. 35-C-13

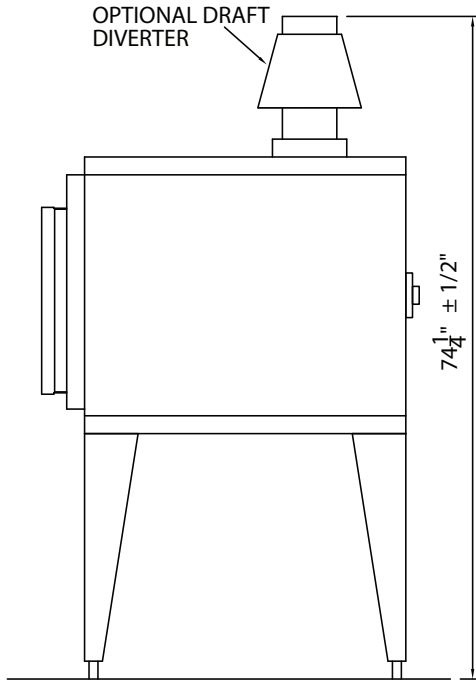
Catalog No. DCO-EGASS



TOP VIEW



FRONT VIEW



RIGHT SIDE VIEW

Gas Specifications		
E101-G	BTU/Hour	40,000
Regulated gas pressure required 3.5" WC natural / 10" WC propane		
Combustible surface clearance - 1" side, 1" rear, 6" floor		
● Gas connection		
3/4" Gas connection		
Electrical requirements: 3.5 Amps/ 115V		
Standard 115V units supplied with 5' cord and plug		

Specify gas type
Specify altitude over 2000 feet

DIMENSIONS:

Freight Class: 85

Model	Height		Width		Depth		Cube ft. crated	Weight	
	in.	cm	in.	cm	in.	cm		lbs.	kg
E101-G	60	152.4	38	96.5	39 1/2	100.3	59.6	540	245.0

DUKE CONVECTION OVENS - "E" SERIES - SINGLE - GAS



Duke Manufacturing Co.
2305 N. Broadway
St. Louis, MO 63102

Phone: 314-231-1130
Toll Free: 1-800-735-3853
Fax: 314-231-5074

www.dukemfg.com