

Project \_\_\_\_\_

Item Number \_\_\_\_\_

Quantity \_\_\_\_\_

1000S



## 1000S Premium Slicer

### Model:

➤ 1000S: 1/2hp Semi-Automatic Slicer



CERTIFIED BY NSF INTERNATIONAL TO MEET  
AND EXCEED THE NSF/ANSI 2012 STANDARDS

Premium Series Slicer

### Features:

- Supermarket quality slicer
- Simple automatic control: 3 speed, 3 stroke length, and slice counter
- Unique drip tray fence redirects liquids away from controls and operator towards distinctive concave base casting for easy cleaning
- Ergonomic comfort design operation
- Powerful 1/2 hp motor standard
- Adjustable slice thickness from 0 to 7/8"
- Easily tilting carriage and removable sharpener for easy cleaning
- Quick and simple disassembly of carriage and feed grip for easy and thorough cleaning
- Sanitary polished and anodized aluminum construction
- Permanently mounted protective edge guard for operator safety
- Heavy duty 3-1/2 lb gravity fed grip
- Built in lift lever for under slicer cleaning
- Stationary knife guard and carriage

13" Precision slicing German hollow ground blade  
Ultra Safe zero blade edge exposure while cleaning  
Unique smooth curve transitions to redirect liquids away from controls and operator  
Easily detachable carriage for easy cleaning

Univex Corporation

### Optional Accessories:

- Stainless steel blade
- Stainless steel serrated blade
- Heavy duty clear plastic cover
- Stainless steel vegetable chute
- Sturdy stainless steel stand
- Security reinforced prison package

### Warranty:

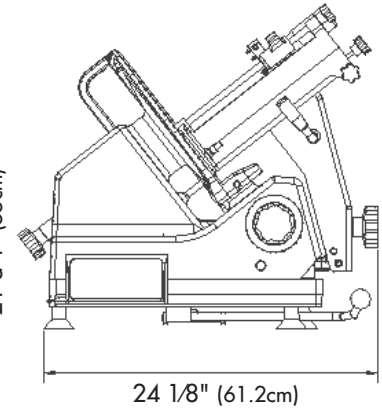
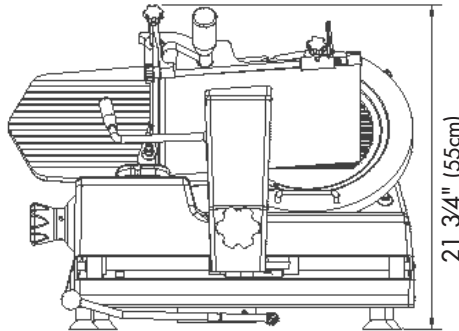
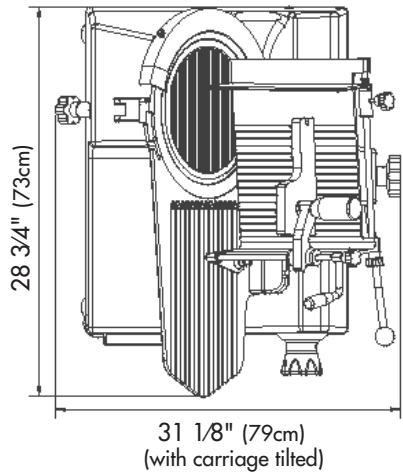
- One year, on-site parts and labor



WE RAISE THE BAR. WE SET THE STANDARD.

# Premium Series Slicer

# 1000S



Controls: Manual slice thickness knob, digital membrane control for speed, stroke, and counter, removable blade sharpener

Drive Assembly: Belt driven

Blade diameter: 13" (33cm) razor sharp blade

Blade RPM: 337 RPM

Maximum slice thickness: .875" (2.2cm)

Maximum product size: Rectangular: 10.25" x 6" (26cm x 15.2cm)  
Square: 6" x 6" (15.2cm x 15.2cm)  
Round: 8" (20.3cm)

Construction: Anodized, cast aluminum body for durability and stunning looks

Nema #: 5-15-P

### Electrical Information (60Hz)

|                  | Voltage | Phase | Amps | RPM  | hp(kW)    |
|------------------|---------|-------|------|------|-----------|
| Standard Voltage | 115     | 1     | 4.0  | 1680 | 1/2 (.37) |
| Optional Voltage | 208-240 | 1     | 2.5  | 1680 | 1/2 (.37) |

### Carriage Strokes

|        | Strokes per minute | Strokes per minute |        |      |
|--------|--------------------|--------------------|--------|------|
|        |                    | Slow               | Medium | Fast |
| Manual | 11.75" (29.8cm)    |                    |        |      |
| Small  | 4.25" (10.8cm)     | 51                 | 39     | 35   |
| Medium | 7.5" (19cm)        | 59                 | 44     | 42   |
| Large  | 11" (28cm)         | 64                 | 50     | 52   |

### Shipping Information

| Net Weight       | Shipping Weight  | Overall Shipping Dimensions                      |
|------------------|------------------|--|
| 153lbs. (69.4Kg) | 163lbs. (73.9Kg) | 29" (73.9cm) H x 25" (64.5cm) W x 30" (74.9cm) D |



Univex Corporation  
www.Univexcorp.com

3 Old Rockingham Rd  
Salem, NH 03079  
United States of America

TEL: (800)258-6358  
INTL TEL: (603)893-6191  
FAX: (800)356-5614  
INTL FAX: (603)893-1249