

Project _____

Item Number _____

Quantity _____

UPasta



Pasta Machine

Model:

➤ UPasta

Pasta Machine

Available Pasta Dies:

14 Pasta Die Plates (One needed for machine to function)

- Spaghetti
- Bigoli/Pici Toscani
- Linguine
- Spaghetti Quadri
- Tagliolini
- Tagliatelle
- Pappardelle
- Maccheroni rigati
- Gramigne
- Penne
- Gnocchetti sardi
- Caserecce Strozzapreti
- Fusilli
- Pasta sheet

See **Pasta Machine Die Chart**
for full dies.

Univex Corporation

Features:

- Easy and fast dough mixing due to the planetary spiral mixer
- Easily remove bowl and spiral for cleaning and sanitizing
- Thick transparent plexiglass lid for viewing
- Stainless steel worm and nickel bronze extruder head
- 14 pasta die plates (one needed for machine to function)

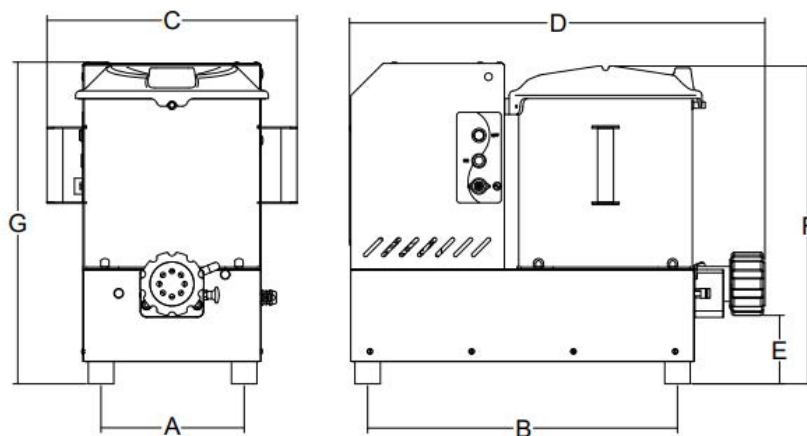
Warranty:

- One year, on-site parts and labor



Pasta Machine

UPasta



	UPASTA
A	8.9"
B	19.17"
C	15.5"
D	25.7"
E	4.25"
F	18.26"
G	19.8"

Electrical Information (60Hz)

	Voltage	Phase	Power
Standard Voltage	115	1	750 Watt - 1 HP

Dough Capacity: 8.8 lbs. (4Kg)

Bowl Capacity: 21.1 quarts (20 liters)

Output/hour: 17.6 pounds/hour

Extruder Output/hour: 35.2 pounds/hour

Controls: Start/stop and secondary for attachments

Shipping Information

Net Weight	Shipping Weight	Overall Dimensions
114.6 lbs. (52 Kg)	147.7 lbs. (67 Kg)	33" (840 mm) H x 33" (840 mm) W x 33.5" (850 mm) D