



**Job:**

**Item No.**

**Countertop Oven**  
**MODEL: NCO3**



**FEATURES & BENEFITS**

- Electromechanical controls
- Temperature up to 425°F (218°C)
- Heat Indicator Light, always know when its ready
- Door switch cutoff for fan blower
- Stainless steel construction
- 4" adjustable legs (102 mm)
- Press-fit removable door gasket for easy cleaning
- One-handed door handle operation
- Cool touch door with dual thermal wide view glass
- Lift up removable side racks
- Adjustable buzzer
- 60 Minute Timer

**DIMENSIONS & SHIPPING WEIGHT**

29 1/8" W X 27 7/8" D X 21 1/2" H  
(740 mm X 708 mm X 546 mm)  
140 lb (64kg)

**OPTIONS & ACCESSORIES**

- Wire Shelf (98-1227-A)
- Equipment Stand (98-9450)

**ELECTRICAL SYSTEM**

1 Phase:  
120V - 16 A - 1.7 kW - 60 Hz - 2 wires + ground NEMA 5-20P

**STANDARD PRODUCT WARRANTY**

One Year Labor & Two Year Parts

**CAPACITY**

3 Half Size Sheet Pans (13" x 18" - 330mm x 457mm)  
Shelf Spacing: 3 1/8" (89 mm)

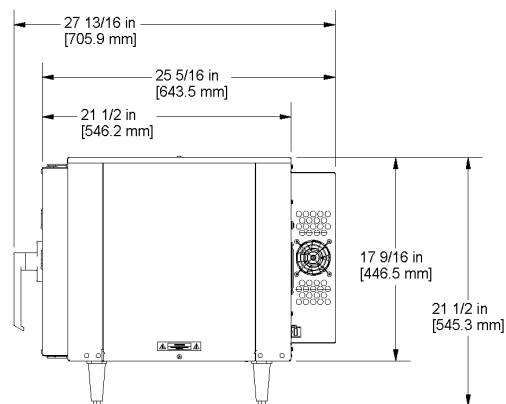
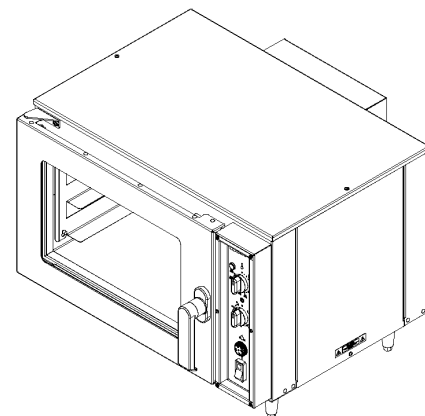
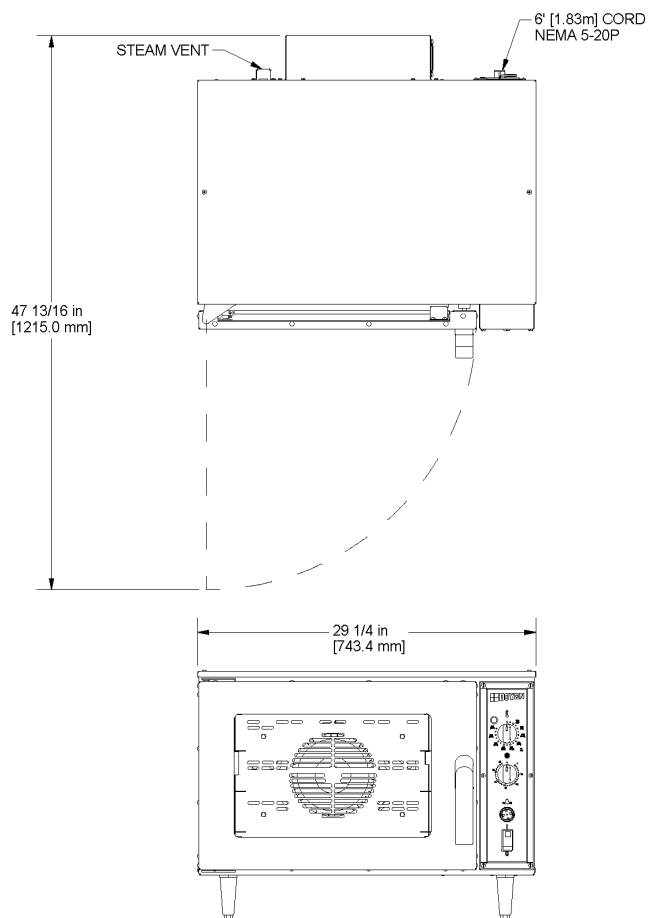
**FINISH**

Stainless Steel

**SHORT SPECIFICATION**

Countertop Oven, Electric, Electromechanical Control, 4" Adjustable Legs, Left Hinge, Cool To Touch Door, Stainless Steel Construction Interior & Exterior, Slam Cam Handle, Stackable Without Hardware, 4 kW, ETL & NSF Certified

# DRAWINGS



## PRODUCTION CAPACITY

Product (Fresh State)	Bake Time	Bake Temp (°F)	Bake Temp (°C)	Quantity Produced
9" Cakes	18 - 22 minute	350	177	9
9" Pies	30 - 35 minute	375	190	6
Bagels (8 per half pan)	15 minute	350	177	n/r
Dinner Rolls (8 per half pan)	15 - 18 minute	350	177	76
Sub Rolls 12" (5 per half pan)	15 - 18 minute	350	177	60
French Baguettes (5 per pan)	20 - 25 minute	350	177	n/r
Croissants (15 per pan)	12 - 15 minute	350	177	n/r
Muffins (12 per pan)	18 - 22 minute	325	163	108
Muffins (24 per pan)	18 - 22 minute	325	163	n/r
9" Quiches	30 - 35 minute	350	177	9
Cookies (9 per half pan)	8 - 10 minute	300	149	162
Danish (7 per pan)	12 - 15 minute	350	177	105
Biscuits (7 per half pan)	8 - 10 minute	350	177	126
Bread (4 strapped pan)	30 - 35 minute	375	190	n/r
Cinnamon Rolls (8/half pans)	15 - 18 minute	325	163	96
Brownies (16 1/2oz box)	12 minute	350	177	15

\*Capacities are per hour



5600 13th Street  
Menominee, MI 49858  
sales@nu-vu.com  
(800) 338-9886 Toll Free  
(906) 843-4401 Phone  
(906) 863-5889 Fax  
www.nu-vu.com

**SPECIFICATIONS SUBJECT TO CHANGE WITHOUT NOTICE  
KCL & REVIT DRAWINGS UPON REQUEST**