

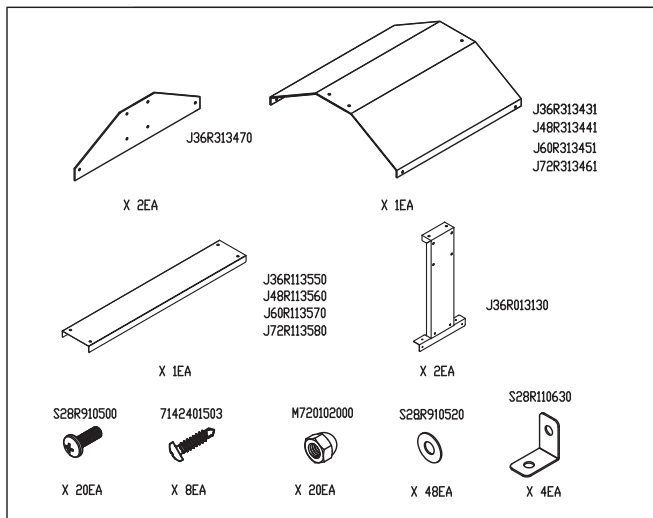
| | |
|-----------------|-------|
| Project : | |
| Model # : | |
| Item # : | Qty : |
| Available W/H : | |
| Approval : | |

Sneeze Guards for JBT Series

Model : SNZ-



SNZ-60

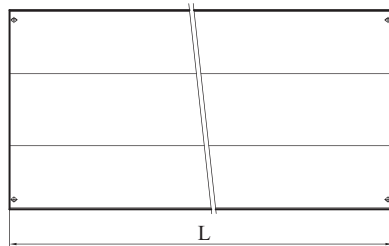


≡ FEATURES & BENEFITS ≡

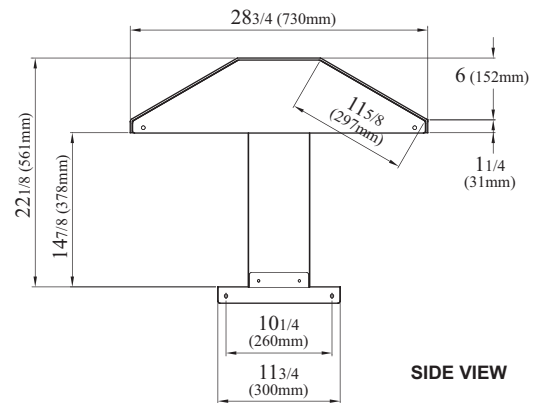
- Double sided sneeze guard keeps the food safe and protects the food area from germs and foreign objects
- A transparent polycarbonate cover is durable, less likely to get scratches, and break resistant. 304 stainless steel two side stands are easy to clean and anti-corrosive
- The package includes support brackets and mounting hardware (except tools)

PLAN VIEW

(unit : inch)



COVER PLAN VIEW

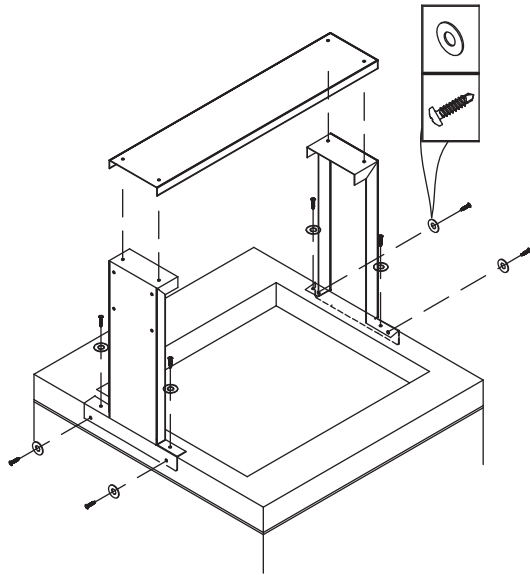


SIDE VIEW

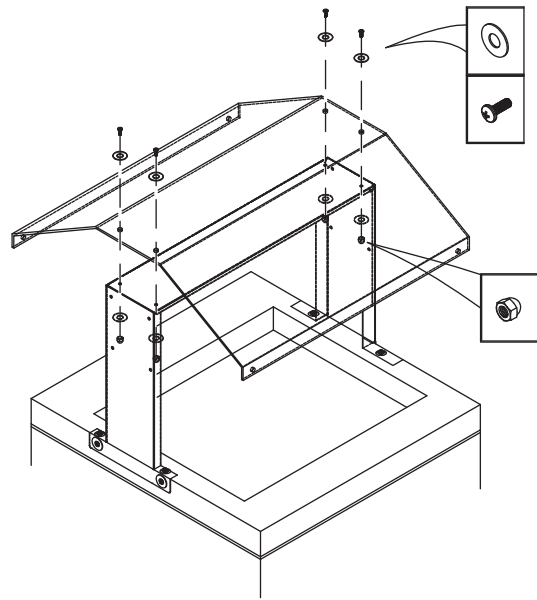
| Model | L (in.) | Net Weight (lbs.) |
|--------|-----------------|-------------------|
| SNZ-36 | 35 5/8 (906mm) | 11 |
| SNZ-48 | 47 1/2 (1206mm) | 13.5 |
| SNZ-60 | 59 3/8 (1506mm) | 16 |
| SNZ-72 | 71 1/8 (1806mm) | 18.4 |

Sneeze Guards for JBT Series

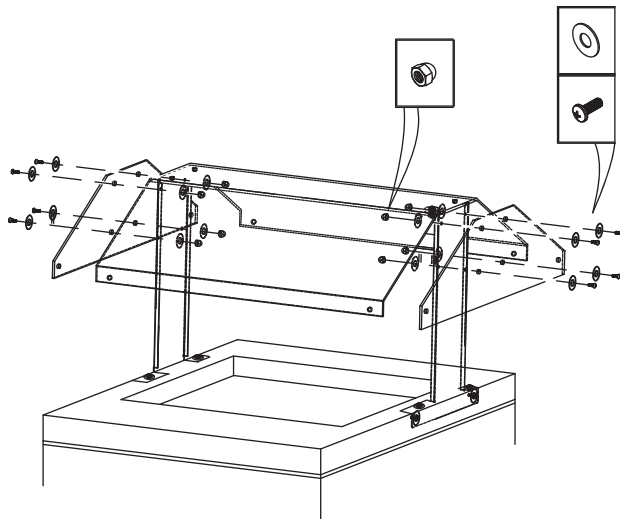
Installation Instruction



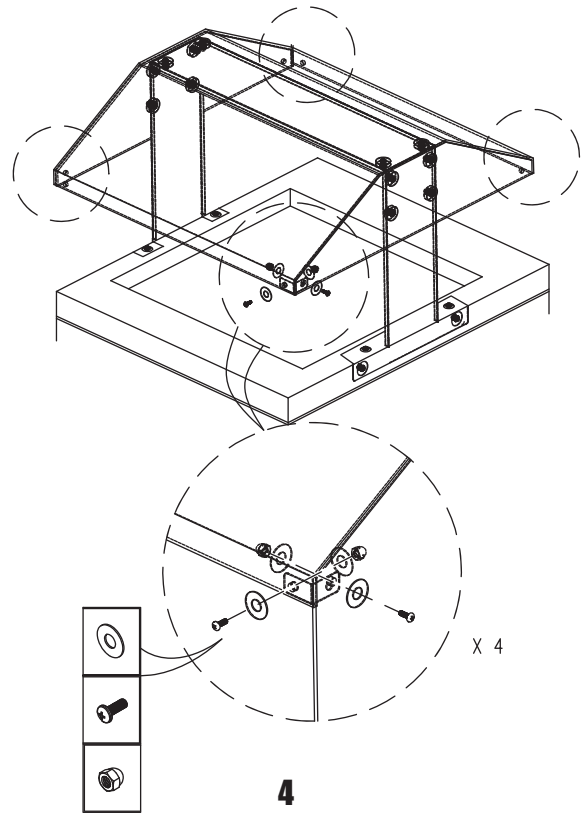
1



2



3



4

Ver.20171026

- Turbo Air : 800-627-0032
- GK : 800-500-3519
- Warranty : 800-381-7770
- AC : 888-900-1002