

REFRIGERATOR MANUFACTURER
Turbo air
 more durable, efficient, beautiful

4184 E. Conant St.
 Long Beach, CA 90808
 Tel. 310-900-1000
 Fax. 310-900-1077
www.turboairinc.com

Project :
 Model # :
 Item # : Qty :
 Available W/H :
 Approval :

Mega Top Unit - Slide Back Lid

Food Prep Tables
 Super Deluxe Series

Model : TST-72SD-30-SL

Patented Self-Cleaning Condenser



This product is equipped with a fine mesh filter to the front of the condenser to catch dust, and a rotating brush that moves up and down daily to remove excess buildup outward and away.



Removable cover with slide back lid



Image shown here
 TST-48SD-18-SL

≡ FEATURES & BENEFITS ≡

■ Maintenance-free, Self-cleaning condenser (patented) **Only at Turbo Air**

The accumulation of dust in the condenser causes the failure or breakdown of refrigerators. Refrigerators run normally until they reach a certain level of accumulation. At some point, when they are over the limit, their performance drops quickly resulting in damage to, or disposal of the stored products in refrigerators. The self-cleaning condenser device keeps the condenser clean and prevents system failure by automatically brushing daily.

■ Cold air compartment

Our innovative "Cold air compartment" maintains temperature evenly for each pan to preserve fresh food longer. In addition, the compartment isolates pans from the reach-in area to prevent food spillage.

■ Stainless steel cabinet construction

The Turbo Air Super Deluxe model boasts a stainless steel interior and exterior (galvanized steel back & bottom). It guarantees the utmost in cleanliness and long product life. The Super Deluxe can add a touch of style to the most refined setting.

■ Efficient refrigeration system

Turbo Air's solid door refrigerators are designed with oversized and balanced (CFC Free R-134A) refrigeration systems. These include efficient evaporators and condensers for faster cooling and greater efficiency.

■ Sturdy, clean stainless steel shelving

Only Turbo Air models

Shelves are the most important part of cleanliness as they come in direct contact with food. After a while, PVC coated wire shelves may peel, rust and lead to unsanitary conditions. Only the Turbo Air Super Deluxe series uniquely provides stainless steel shelving.

■ Removable insulated slide back lid

Removable hood and slide back lid are easy to clean while enabling more view to the top opening

■ 9-1/2" deep, 1/2" thick high-density Polyethylene cutting board included with convenient side rail

■ High-density CFC free polyurethane insulation

■ Refrigerator holds 33°F ~ 39°F for the best in food preservation

* Please allow 4 weeks lead time for shipping. Please call factory for more details to place an order.



Model	Swing Door	CU./FT.	#of Shelves	#of Pans	HP	AMPS	Crated Weight (lbs.)	L x D x H* (inches)
TST-72SD-30-SL	3	23	3	30	1/2	9.9	395	725/8 x 34 x 39

Model : TST-72SD-30-SL

ELECTRICAL DATA	
Voltage	115/60/1
Plug Type	ⓘ NEMA 5-15P
Full Load Amperes	9.9
Compressor HP	1/2
Cord Length (ft.)	9
Refrigerant	R-134A
DIMENSIONAL DATA	
Ext. Length Overall (in.)	72 ⁵ / ₈ (1844mm)
Ext. Depth Overall (in.)	37 (939mm)
Ext. Height Overall (in.)*	39 (991mm)
# of Doors	3
# of Shelves	3
# of Pans	30
# of Hood	2
Net Capacity (cu. ft.)	23
Net Weight (lbs.)	355
Gross Weight (lbs.)	395
Shelf Size (in.)	21 x 17 (Left/Right) 23 x 17 (Middle)

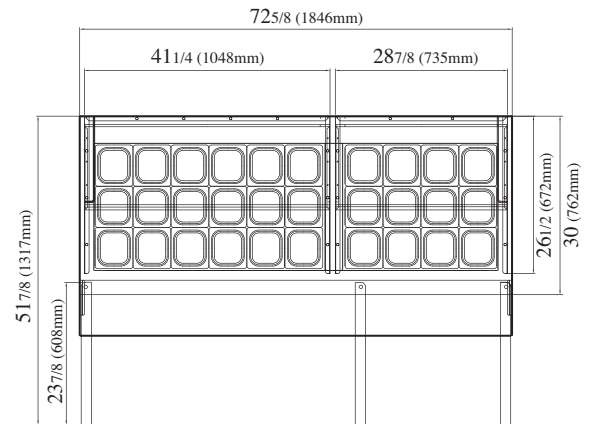
Design and specifications subject to change without notice.
Actual shipping weight may differ due to extra packing materials for product protection.
* Height does not include 5" for caster height.

- **WARRANTY : 3 Year Parts and Labor Warranty**
Additional 2 Year Warranty on Compressor
- **Self-contained system**
- **Standard 4" dia. swivel casters with locks on the front set**
- **Standard 1/6 size, 4" deep condiment pans included**
- **2.5" dia. casters available (optional) & Legs available (optional)**
- **Removable food covers available (optional)**
- **Stainless steel double overshelf available (optional)**
- **OPTIONAL ACCESSORIES :**
 - 2.5" caster, 1/2" diameter & 13 TPI: 30265H0100 (non-brake), 30265H0200 (w/ brake)
 - 5" caster, 1/2" diameter & 13 TPI: M726500100 (non-brake), M726500200 (w/ brake)
 - 6" ABS plastic leg: 30221M0200
 - 6" stainless steel leg: 30221M0600
 - Additional stainless steel shelf: M727800100 (Left/Right), M727800300 (Middle)
 - Removable food cover: RCT-48-18/72-30-L (Left side), RCT-60-24/72-30-R (Right side)
 - Stainless steel double overshelf: TSOS-6R
 - Door lock: extra lead time will apply, please call factory for more details to order**
 - External digital thermometer: extra lead time will apply, please call factory for more details to order**

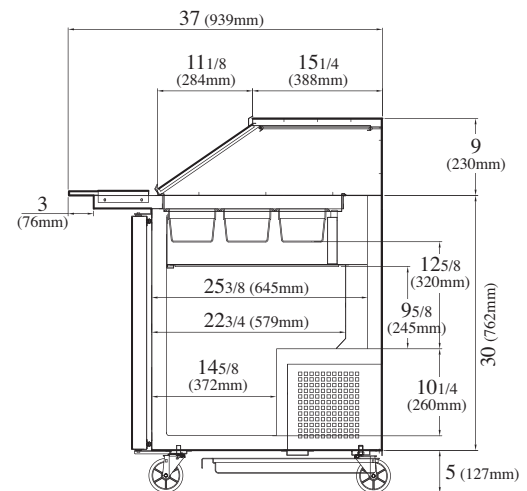
Ver.201611

PLAN VIEW

(unit : inch)



PLAN VIEW



SIDE VIEW



- Turbo Air : 800-627-0032
- GK : 800-500-3519
- Warranty : 800-381-7770
- AC : 888-900-1002