

Project _____

Item No. _____

Quantity _____

THERMACUBE™ Food Delivery System



PERFORMANCE

The CookTek® ThermoCube™ Food Delivery System is comprised of a specially-designed lightweight natural convection tray, a system-specific delivery bag, and an induction charger base. The natural convection tray resides hidden inside the delivery bag. Once a delivery bag containing a natural convection tray is placed on the induction charger base, it automatically heats up. The Charge LED light turns red to show that charging is taking place. The Ready LED light turns green when the delivery bag is hot and ready for use.*

FEATURES

- Models available in 1,800 watts
- Induction-charged natural convection tray circulates hot air around the food for up to 30 minutes – available in nominal, +10%, +25%, and +35% heat
- Fast heat-up – initial charge takes less than 3.5 minutes; recharges in as little as 90 seconds
- Cordless bags for convenient, efficient delivery – available in two sizes to accommodate various types of cuisine
- Easy to clean charger surface is cool to the touch
- Designed to withstand exposure to grease, oil, flour, and other food substances
- Lighted display for easy operation
- Delivery bag (without natural convection tray) is machine washable; natural convection tray is submersible for cleaning (not dishwasher safe)
- Automatic shut-off feature prohibits overheating
- Available in 100–120 VAC or 200–240 VAC, single phase
- Includes plug and cord (6 ft. nominal)
- Two-year advanced replacement warranty – U.S. and Canada (charger only)

ACCESSORIES (included with charger purchase)

- Small Delivery Bag (Part # 301550)
- Natural Convection Tray +10% Heat (Part # 301630)

OPTIONAL ACCESSORIES (NOT included with charger purchase)

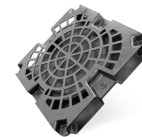
- Large Delivery Bag (Part # 301857)
- Natural Convection Tray Nominal Heat (Part # 301542)
- Natural Convection Tray +25% Heat (Part # 301631)
- Natural Convection Tray +35% Heat (Part # 301784)



301550



301857



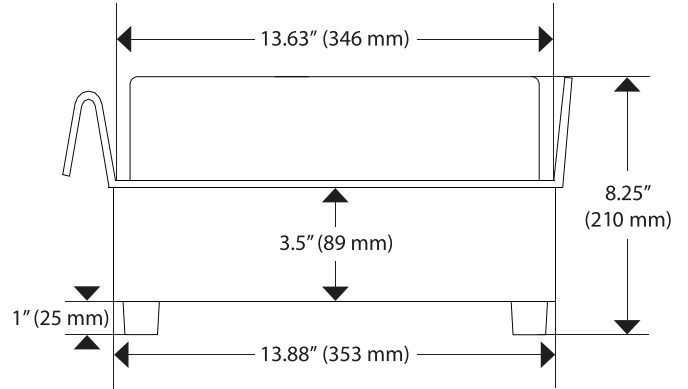
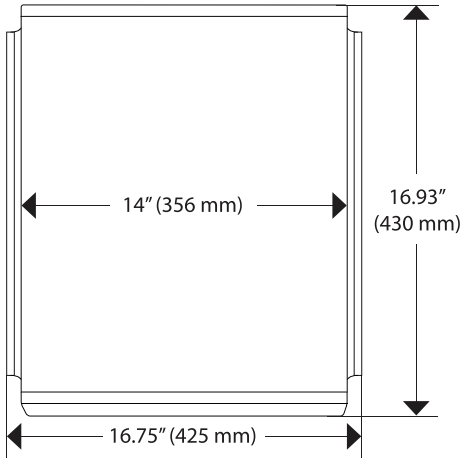
301542, 301630,
301631, 301784

CERTIFICATIONS



*The ThermoCube™ charger is specifically designed for use with CookTek approved delivery bags.

It is the owner and installer's responsibility to comply with all local codes. CookTek reserves the right to make substitutions of components or change specifications without prior notice.



DIMENSIONS (CHARGER)		
Unit Height	8.25"	210 mm
Unit Width	16.75"	425 mm
Unit Depth	16.93"	430 mm
Interior Surface Width	14"	356 mm
Interior Surface Depth	13.63"	346 mm
Feet Height	1"	25 mm
Weight	14.5 lb.	6.6 kg
Max Ambient Temperature	122°F	50°C
CLEARANCE		
Front	2"	51 mm
Sides	2"	51 mm
Below (Countertop)	The space underneath and between the units legs should be kept free from obstruction.	
Below (Recessed/Drop-in)	6"	152 mm
SHIPPING INFORMATION		
Packaged Height	13"	330 mm
Packaged Width	20"	584 mm
Packaged Depth	23"	610 mm
Packaged Weight	19.25 lb.	8.7 kg
Item Class	250 NMFC #26710	

ELECTRICAL SPECIFICATIONS (SINGLE PHASE)			
MODEL TCS100			
UNITED STATES/ CANADA	609101	100-120 V, 50/60 Hz, 15 A, 100-1800 W	NEMA 5-15P
MODEL TCS200			
UNITED STATES/ CANADA	609201	200-240 V, 50/60 Hz, 8 A, 100-1800 W	NEMA 6-20P
UK/ SAUDI ARABIA	609202	200-240 V, 50/60 Hz, 8 A, 100-1800 W	BS1363, 13A, 230V
INTERNATIONAL	609203	200-240 V, 50/60 Hz, 8 A, 100-1800 W	CEE 7/7 Schuko, 16A, 250V
AUSTRALIA	609204	200-240 V, 50/60 Hz, 8 A, 100-1800 W	AS/NZ 3112:2000, 10A, 250V
SOUTH AFRICA	609207	200-240 V, 50/60 Hz, 8 A, 100-1800 W	BS 546, 16A, 250V
ISRAEL	609208	200-240 V, 50/60 Hz, 8 A, 100-1800 W	SI 32, 16A, 250V

Dedicated circuit required for each installation.



NEMA 5-15P



AS/NZS 3112:2000,
10A, 250V



NEMA 6-20P



BS 546, 16A, 250V



BS1363, 13A, 230V



SI 32, 16A, 250V



CEE 7/7 Schuko,
16A, 250V

Global Operations

2801 Trade Center Drive / Carrollton, Texas 75007 USA
 US: 800.90TURBO (800.908.8726) / International: +1 214.379.6000
 Fax: +1 214.379.6073 / www.cooktek.com