

Heated Display Cabinet | DCH



DCH-300



DCH-200

The Heated Display Cabinet from Antunes showcases products in the best possible light while keeping them hot, fresh, and ready to serve to customers.

Each of the Heated Display Cabinets features a modern look with a front panel made of curved, tempered glass. Glass side panels provide customers with full visibility to the products inside, while two sliding rear doors allow operators to easily add and remove products.

The rear control panel, with a digital display thermostat and electronic controls, allows operators to easily adjust the temperature of the cabinet to ensure products are kept warm and fresh for customers. Models are available with a low-temperature range for pastries and pretzels or a high-temperature range for protein-based products.

Constructed out of stainless steel, the Heated Display Cabinet features bright quartz lights mounted on the top of the unit to ensure product is attractively displayed.

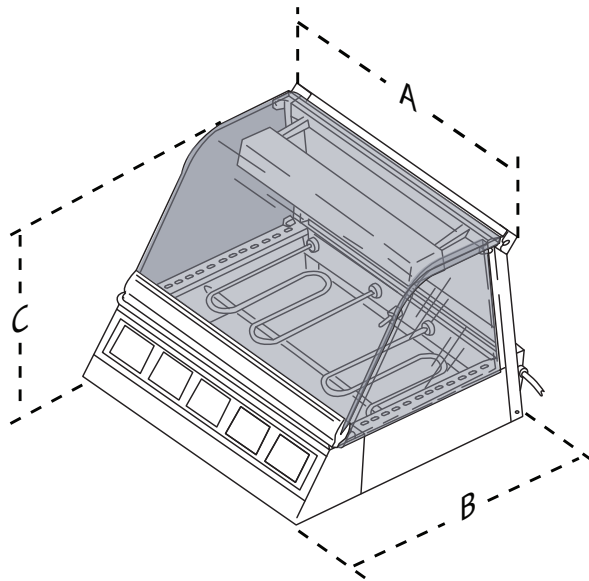
With a customizable menu board along the front panel, operations can quickly and easily make changes throughout the day.

FEATURES

- Bright, full-length lighting.
- Digital display thermostat and electronic controls.
- European design with curved, tempered glass.
- Glass side panels for full visibility.
- Sliding rear panels for easy access to add and remove products.
- Easy-to-change menu board.
- Stainless steel construction for long life.

Heated Display Cabinet | DCH

Dimensions



| Model No. | Width (A) | Depth (B) | Height (C) |
|-----------|-----------|-----------|------------|
| DCH-300 | 42 1/2" | 31 1/4" | 22" |
| DCH-320 | (1080 mm) | (794 mm) | (559 mm) |
| DCH-200 | 30 1/4" | 31 1/4" | 22" |
| DCH-220 | (768 mm) | (794 mm) | (559 mm) |

Electrical Ratings and Plug Configuration

| Model & Mfg. No. | Volts | Watts | Amps | Hertz | Plug Description |
|--------------------|-------------|-------|---------|-------|------------------------------------|
| DCH-300 9500540 | 120 | 1800 | 15 | 50/60 | NEMA 5-20P 20 Amp., 120 Volt |
| DCH-320 9500550 | 120 | 1800 | 15 | 50/60 | NEMA 5-20P 20 Amp., 120 Volt |
| DCH-320 9500553 | 200- 240 | 2050 | 9.3-8.5 | 50/60 | CEE 7/7 16 Amp., 250 Volt |
| DCH-200 9500520 | 120 | 1760 | 14.7 | 50/60 | NEMA 5-20P 20 Amp., 120 Volt |
| DCH-220 9500530 | 120 | 1760 | 14.7 | 50/60 | NEMA 5-20P 20 Amp., 120 Volt |
| DCH-220 9500533 | 200- 240 | 2050 | 9.3-8.5 | 50/60 | CEE 7/7 16 Amp., 250 Volt |
| DCH-220 9500537 | 200- 240 | 2050 | 9.3-8.5 | 50/60 | BS 1363 Fused 13 Amp., 250 Volt |

Specifications

| Model No. | Capacity | Temperature Ranges |
|-----------|--------------------------------|----------------------------------|
| DCH-200 | Two full-size 2 1/2" pans | 150°F to 165°F (66°C to 74°C) |
| DCH-220 | Two full-size 2 1/2" pans | 100°F to 165°F (38°C to 74°C) |
| DCH-300 | Three full-size 2 1/2" pans | 150°F to 165°F (66°C to 74°C) |
| DCH-320 | Three full-size 2 1/2" pans | 100°F to 165°F (38°C to 74°C) |

Accessories

Units are not supplied with pans or transparencies. A wire rack is available to allow for two levels of display. The pan adaptor allows for a 4" deep steam table pan.

P/N 1020219 03/17