

## Heated Bun Landing Zone | HLZ



**HLZ-1**



**HLZ-1 with VCT-2000**

Keep toasted buns hot and fresh until they are ready to be served with the Heated Bun Landing Zone. This item features a heated base and an easy-open lid so that toasted buns always stay hot on the production line, allowing operations to keep up with demand during peak hours.

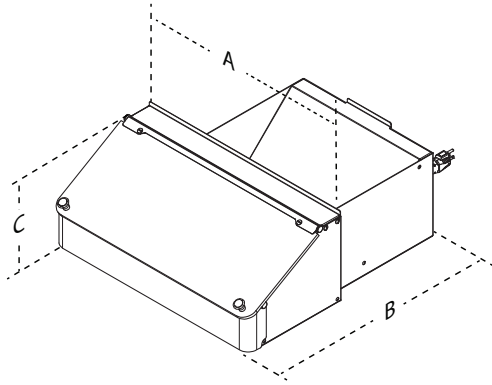
The Heated Bun Landing Zone easily attaches on the VCT-25, VCT-50, VCT-1000, and VCT-2000 models without the use of tools.

### **FEATURES**

- Easy-open lid keeps buns covered and fresh.
- Heated landing zone keeps buns hot.
- Quick installation—no tools needed.

# Heated Bun Landing Zone | HLZ

## Dimensions



Model & Mfg. No.	Width (A)	Depth (B)	Height (C)
HLZ-1 7000685 7000842	18 13/16" (478 mm)	19 3/8" (492 mm)	7 13/16" (198 mm)

## Shipping Dimensions

Model & Mfg. No.	Height	Width	Depth	Weight
HLZ-1 7000685 7000842	10" (254 mm)	23" (584 mm)	22" (559 mm)	24 lbs. (11 kg)

## Electrical Ratings and Plug Configuration

Model & Mfg. No.	Volts	Watts	Amps	Hertz	Plug Description
HLZ-1 7000685	120	35	0.3	50/60	NEMA 5-15P 15 Amp., 120 Volt
HLZ-1 7000842	230	35	0.3	50/60	CEE 7/7 16 Amp., 250 Volt

P/N 1020317 01/17