



PS-314

Cook and display pizzas in front of customers with a single piece of equipment. The Pizza Station combines a self-contained oven with a fully lit and heated display area. The oven is thermostatically controlled and includes a timer and adjustable baking rack.

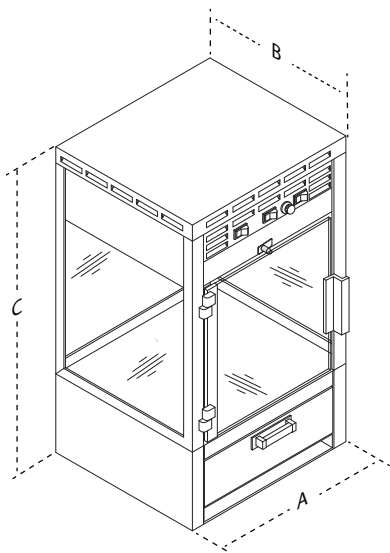
The display area holds three pizzas on a rotating display rack and keeps them hot and fresh for one hour. The unit has tempered glass on all four sides to provide customers a full view of the cooked pizzas.

Features

- Stainless steel construction.
- Tempered glass.
- Attractive graphics for point-of-purchase.
- Rotating display holds three cooked pizzas.
- Self-contained oven cooks refrigerated or frozen pizzas.
- Oven with adjustable baking rack.
- Full view design.
- Optional pizza accessories available.



Dimensions



Model & Mfg. No.	Width (A)	Depth (B)	Height (C)
PS-314 9050710 9050720	18 1/8" (460 mm)	19 3/4" (502 mm)	28 3/4" (730 mm)

Shipping Dimensions

Model & Mfg. No.	Height	Width	Depth	Weight
PS-314 9050710 9050720	34" (864 mm)	25" (635 mm)	25" (635 mm)	129 lbs. (59 kg)

Electrical Ratings and Plug Configuration

Model & Mfg. No.	Volts	Watts	Amps	Hertz	Plug Description
PS-314 9050710	230	1800	7.8	50/60	CEE 7/7 16 Amp., 250 Volt
PS-314 9050720	120	1800	15	60	NEMA 5-15P 15 Amp., 120 Volt

Specifications

Model & Mfg. No.	Oven Capacity	Display Area Capacity
PS-314 9050710 9050720	One 14" (356 mm) pizza	Three 14" (356 mm) pizzas

Accessories

Pizza Station Kit (P/N 0010662)

Includes:

- (1) Pizza Peel
- (1) Pizza Cutter
- (3) Pizza Display Pans

