

## Steamer Display Case | SDC



**SDC-500**

Prepare for the heavy rush of customers by keeping foods hot and ready to serve. The Steamer Display Cabinet quickly steams pre-cooked refrigerated or frozen specialty foods and holds them at a ready-to-eat temperature.

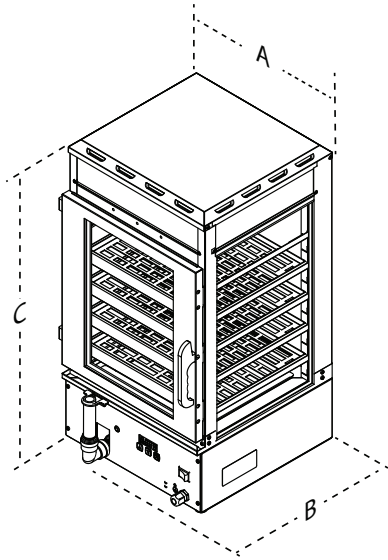
The Steamer Display Cabinet is lit from the top in order to attractively showcase foods to your customers, and the adjustable digital thermostat makes it easy to change the foods on display. This cabinet also includes a resettable hi-limit thermostat for additional safety.

### FEATURES

- Uses plain drinking water.
- Five sliding shelves for easy access to product.
- Adjustable shelf height and shelf angle.
- Adjustable solid state thermostat with digital display.
- Resettable hi-limit thermostat turns off power to the heater and upper lighting.
- Tempered safety glass.
- Stainless steel construction for long life.
- Easy-to-fill water pan.
- Unique water tube allows for easy monitoring of water level and can be used to quickly refill or drain the unit.

# Steamer Display Case | SDC

## Dimensions



Model & Mfg. No.	Width (A)	Depth (B)	Height (C)
SDC-500 9100532	16 1/2" (419 mm)	17 3/4" (451 mm)	30 5/8" (778 mm)

## Shipping Dimensions

Model & Mfg. No.	Height	Width	Depth	Weight
SDC-500 9100532	40" (1016 mm)	23" (584 mm)	24" (610 mm)	76 lbs. (34 kg)

## Electrical Ratings and Plug Configuration

Model & Mfg. No.	Volts	Watts	Amps	Hertz	Plug Description
SDC-500 9100532	120	1750	14.6	50/60	NEMA 5-15P 15 Amp., 120 Volt

## Specifications

Model & Mfg. No.	Capacity	Temperature Range
SDC-500 9100532	Water: 5 quarts (4.73 liters) in water tray; 1.5 quarts (1.42 liters) minimum	150°F to 180°F (66°C to 82°C)
	Food: Refrigerated or frozen product only	

P/N 1020297 07/17