



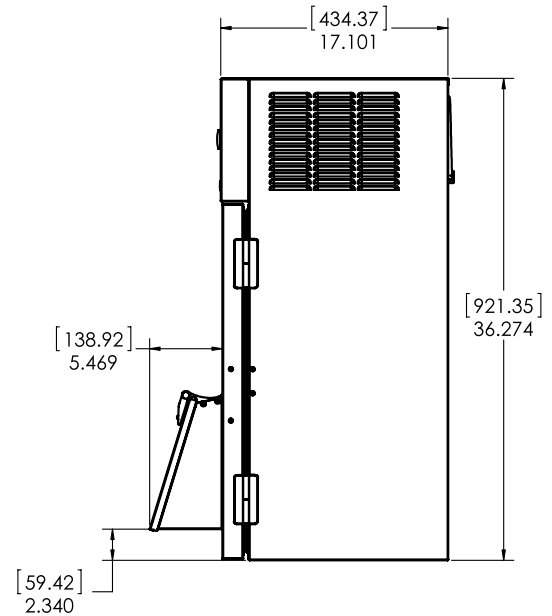
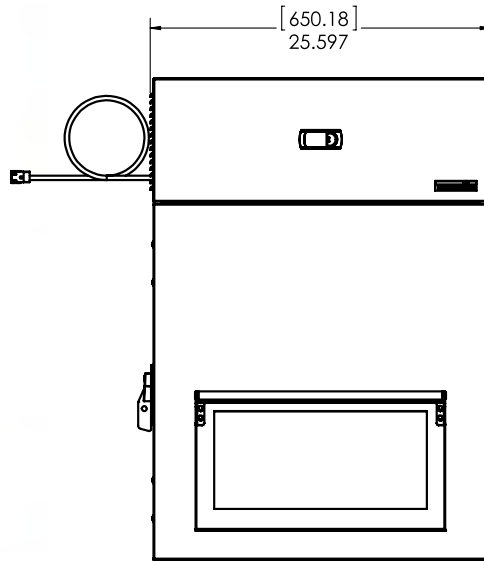
Lettuce Crisper/Dispenser

With Combo bin Standard or Divided (removable divider)
Electronic control and Reversible Door

MODEL SK2SB/C17



Wall Mount Kit Included



MODEL	LENGTH	DEPTH	HEIGHT	AMPS	WEIGHT
SK2SB/C17	25.6"	23.57"	36.27"	2.4	145 lbs.

EXTERIOR	Stainless steel, galvanized back.
INTERIOR	Stainless steel with covered corners and finished edges throughout for fast, easy cleaning and sanitation. High impact ABS door liner and service chute.
INSULATION	Environmentally friendly foamed-in-place polyurethane for maximum insulation, strength and durability.
STORAGE BIN	High density polyethylene. Holds 50 heads of average size lettuce (shredded or leaf). Grooved base traps accumulated moisture, preventing spoilage and waste. Bin door opens into exterior door service chute for easy access to storage bin contents.
REFRIGERATION	CFC-Free, hermetically sealed, self contained refrigeration system with fan cooled condenser. Cold wall copper tube evaporator for even distribution of cooling and moisture retention. Adjustable Electronic control with LED temperature indicator.
ELECTRICAL	Standard as 115 volt, 60 Hz, single phase operation with 8 foot, 3 wire power cord with NEMA 5-15P plug.
LISTINGS	ETL Safety (U.S. and Canada), ETL Sanitation.
WARRANTY	One year parts and labor. Five year warranty on compressor.



1600 Xenium Lane North
Minneapolis, MN 55441-3787
Phone (763) 923-2441
Fax (763) 553-1209
www.silverking.com



Specifications subject to change without notice.

39659-REV A
© Silver King 2016
Printed in U.S.A.