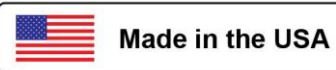




JOB:
ITEM:
QTY:



CHICKEN DOLLY

APPLICATION:

This dolly keeps drips, spills, and condensation to a minimum with a sturdy removable drip pan. Specifically designed to stack iced or frozen food.

MATERIAL:

Framework is constructed out of 1"x1"x.070" wall tubing. Laterals are constructed out of 1/2"x1 1/4" oval tubing. Removable drip tray is constructed out of .063" aluminum sheet.



CASTERS:

This dolly comes equipped with four 5" stem type swivel casters.

GUARANTEE:

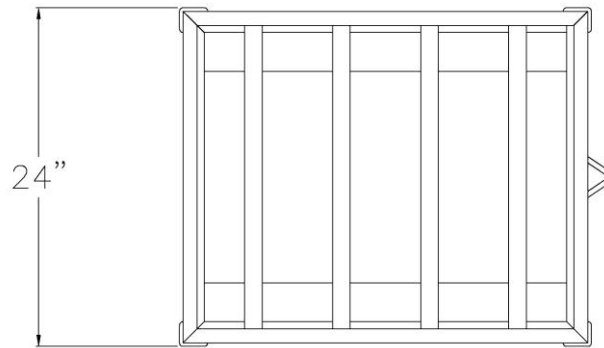
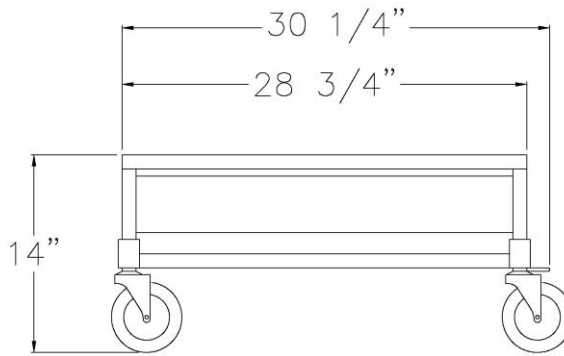
This dolly carries a **Lifetime Guarantee** against rust and corrosion and also carries a **Five-Year Guarantee** against workmanship and material defects.

Model #1187



Phone: 800-255-0104
Fax: 877-877-7687
www.newageindustrial.com
sales@newageindustrial.com

New Age Industrial reserves the right to modify or make changes at any time without notice to materials and specifications.



Model #1187

Model No.	Size-W	Size-H	Size-D
1187	24"	14"	30 1/4"
Aluminum Drag Hook			
1199			34 1/2" Long
Replacement Drip Tray			
1188			



Phone: 800-255-0104
 Fax: 877-877-7687
www.newageindustrial.com
sales@newageindustrial.com

New Age Industrial reserves the right to modify or make changes at any time without notice to materials and specifications.