



JOB:
ITEM:
QTY:



BOAT RACKS

APPLICATION:

These lightweight designed boat racks are designed to hold food boat trays and other food preparation materials.

MATERIAL:

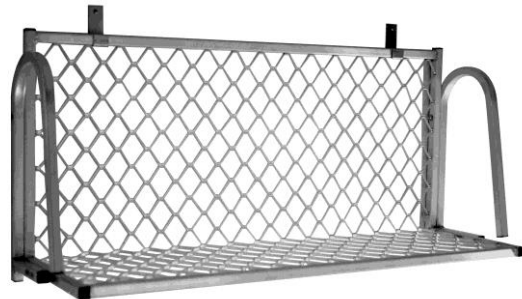
Framework is constructed out of 1"x1"x.070" wall tubing. The back and base is constructed out of aluminum Ampli-Mesh.

GUARANTEE:

These racks carry a **Lifetime Guarantee** against rust and corrosion and also carry a **Five-Year Guarantee** against workmanship and material defects.



Ceiling Mount "L"

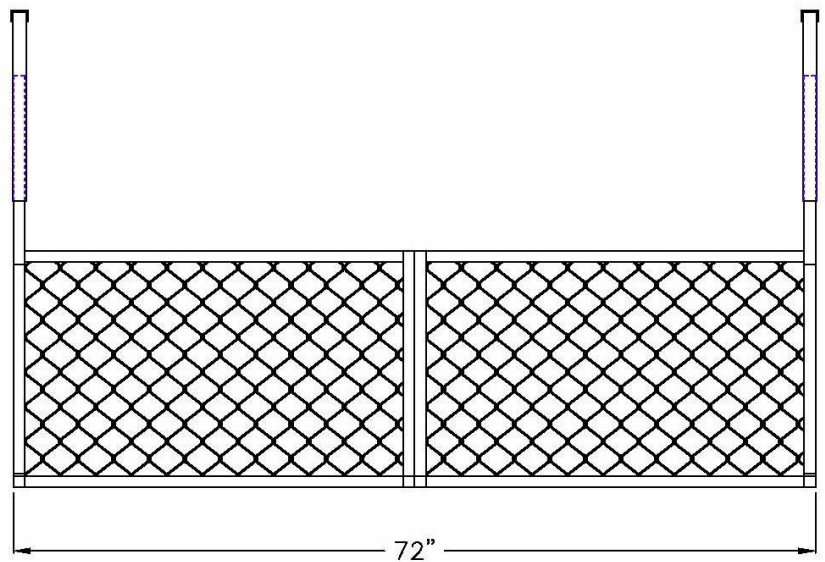
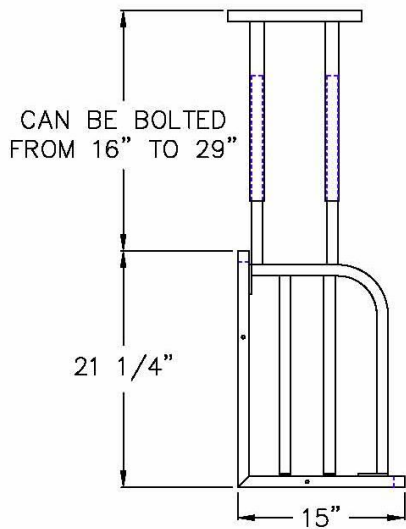


Wall Mount "L"



Phone:800-255-0104
Fax: 877-877-7687
www.newageindustrial.com
sales@newageindustrial.com

New Age Industrial reserves the right to modify or make changes at any time without notice to materials and specifications.



Model #1373CL

Model No.	Size-D	Size-L
Table Mount Boat Rack		
120T	15"	36"
1371T	15"	48"
1372T	15"	60"
1373T	15"	72"
1374T	15"	96"
1375T	15"	120"
Wall Mount Boat Rack		
120W	15"	36"
1371W	15"	48"
1372W	15"	60"
1373W	15"	72"
1374W	15"	96"
1375W	15"	120"
Ceiling Mount Boat Rack-"L" Type		
1373CL	15"	72"
1374CL	15"	96"
Ceiling Mount Boat Rack-"T" Type		
1373CT	15"	72"
1374CT	15"	96"



Phone: 800-255-0104
 Fax: 877-877-7687
www.newageindustrial.com
sales@newageindustrial.com

New Age Industrial reserves the right to modify or make changes at any time without notice to materials and specifications.