

JOB:
ITEM:
QTY:

1/2 SIZE BUN PAN RACK

APPLICATION:

These racks are designed to transport and hold 18" x 26", 13" x 18", and 14" x 18" pans. The half size design creates a working top height. Options for the top are stainless steel, aluminum, or poly-top. You can also leave it open for a roll in application.

MATERIAL:

Framework is constructed of 1" x 1" x .070" wall tubing. Angle runners are 1 1/4" x 1 5/8" x .100" wall. Uprights have a reinforcing channel to reinforce the tubing wall to help prevent breakage from the stem caster.

CASTERS:

These racks come equipped with four 5" stem type swivel casters for easy maneuverability.

GUARANTEE:

These racks carry a **Lifetime Guarantee** against rust and corrosion and also carry a **Five-Year Guarantee** against material defects and workmanship.

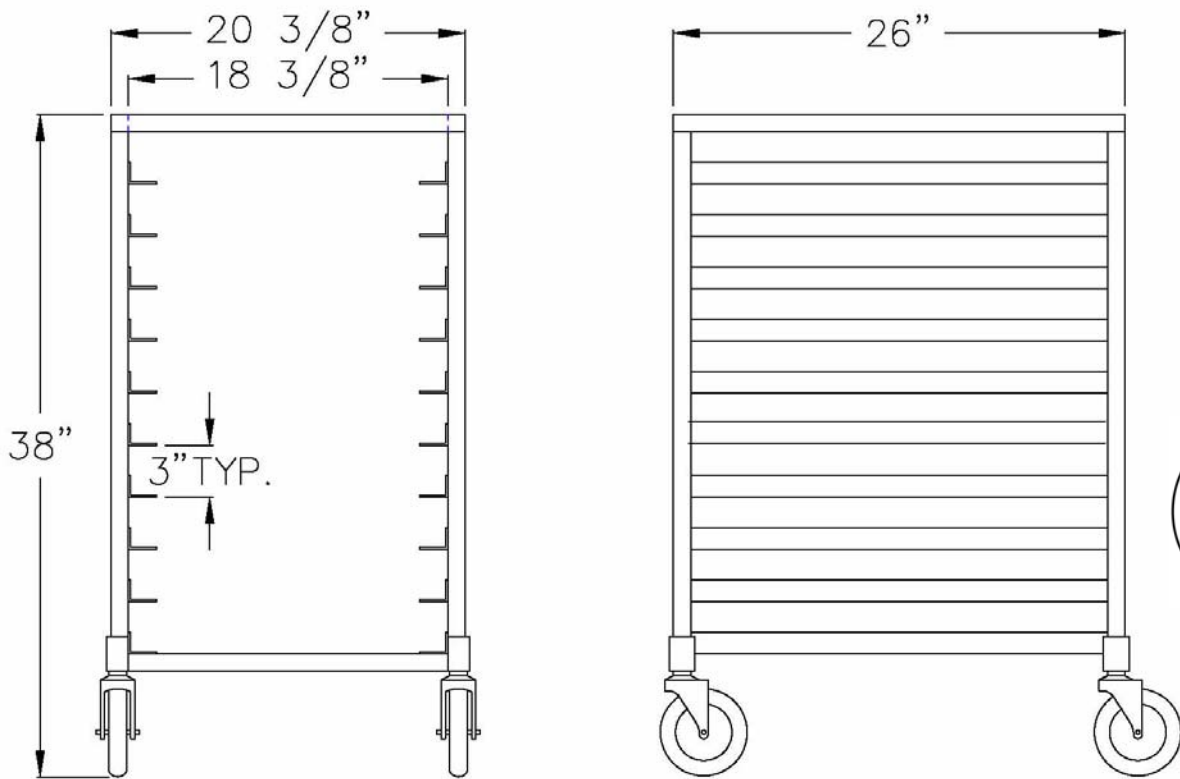


Model #1311



Phone: 800-255-0104
Fax: 877-877-7687
www.newageindustrial.com
sales@newageindustrial.com

New Age Industrial reserves the right to modify or make changes at any time without notice to materials and specifications.



Model #1311

| Model No. | Size-W | Size-H | Size-D | Runner Spacing | Pan Cap. | Top Type |
|--------------------------------------|---------------|---------|--------|-----------------|----------|-----------|
| UNDER-COUNTER SIZE | | | | | | |
| 1313 | 20 3/8" | 32 1/4" | 26" | 3" | 8 | Stainless |
| 1314 | 20 3/8" | 32 1/4" | 26" | 3" | 8 | None |
| BAKERY 1/2 SIZE WITH POLY TOP | | | | | | |
| 95958 | 20 3/8" | 33 1/2" | 26" | 4 1/2" | 5 | Poly |
| REGULAR 1/2 SIZE | | | | | | |
| 1311 | 20 3/8" | 38" | 26" | 3" | 10 | Stainless |
| 1312 | 20 3/8" | 38" | 26" | 3" | 10 | None |
| 92096 | 20 3/8" | 39" | 26" | 3" | 10 | Poly |
| 1321 | 20 3/8" | 38" | 26" | 5" | 6 | Stainless |
| 1322 | 20 3/8" | 38" | 26" | 5" | 6 | None |
| REPLACEMENT TOP | | | | | | |
| 45106 | 20 3/8" X 26" | | | Stainless Steel | | |
| 45256 | 20 3/8" X 26" | | | Aluminum | | |



Phone: 800-255-0104
 Fax: 877-877-7687
www.newageindustrial.com
sales@newageindustrial.com

New Age Industrial reserves the right to modify or make changes at any time without notice to materials and specifications.