



JOB:  
ITEM:  
QTY:



## BREAD PAN DOLLIES

### APPLICATION:

Ideal dolly for transporting and storing loaf pans. These small compact dollies help maximize storage space when not in use. Angle type dolly is designed to hold 5 strap 1lb. loaf pans (9 23/32" x 26"). Universal Dolly will hold most loaf pan sizes.

### MATERIAL:

Framework is constructed out of 2"x2"x3/16" wall angle. Aluminum hook for a drag hook is constructed out of 3/8" aluminum rod.

### CASTERS:

Model #93189 comes equipped with four 3" platform type swivel casters. Model #95219 comes equipped with four 5" platform type swivel casters.

### GUARANTEE:

These dollies carry a **Lifetime Guarantee** against rust and corrosion and also carry a **Five-Year Guarantee** against workmanship and material defects.

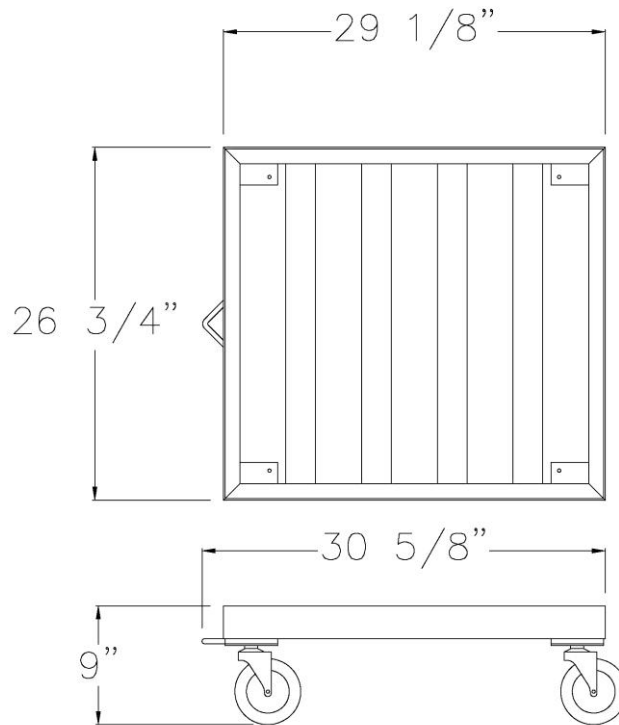


Model #93189



Phone:800-255-0104  
Fax: 877-877-7687  
www.newageindustrial.com  
sales@newageindustrial.com

New Age Industrial reserves the right to modify or make changes at any time without notice to materials and specifications.



**Model #95219**

Model No.	Size-W	Size-H	Size-D	Wt. Cap.
<b>Angle Dolly</b>				
93189	21 7/8"	6"	28 1/8"	800#
<b>Universal Bread Pan Dolly</b>				
95219	26 3/4"	9"	30 5/8"	800#
<b>Aluminum Drag Hook</b>				
1199			34 1/2" Long	

Phone: 800-255-0104  
 Fax: 877-877-7687  
[www.newageindustrial.com](http://www.newageindustrial.com)  
[sales@newageindustrial.com](mailto:sales@newageindustrial.com)

New Age Industrial reserves the right to modify or make changes at any time without notice to materials and specifications.